

JOEMARS EDM

JM540/JM650 PARTS LIST

JOEMARS MACHINERY & ELECTRIC INDUSTRIAL CO., LTD.

JM540/JM650 PARTS LIST

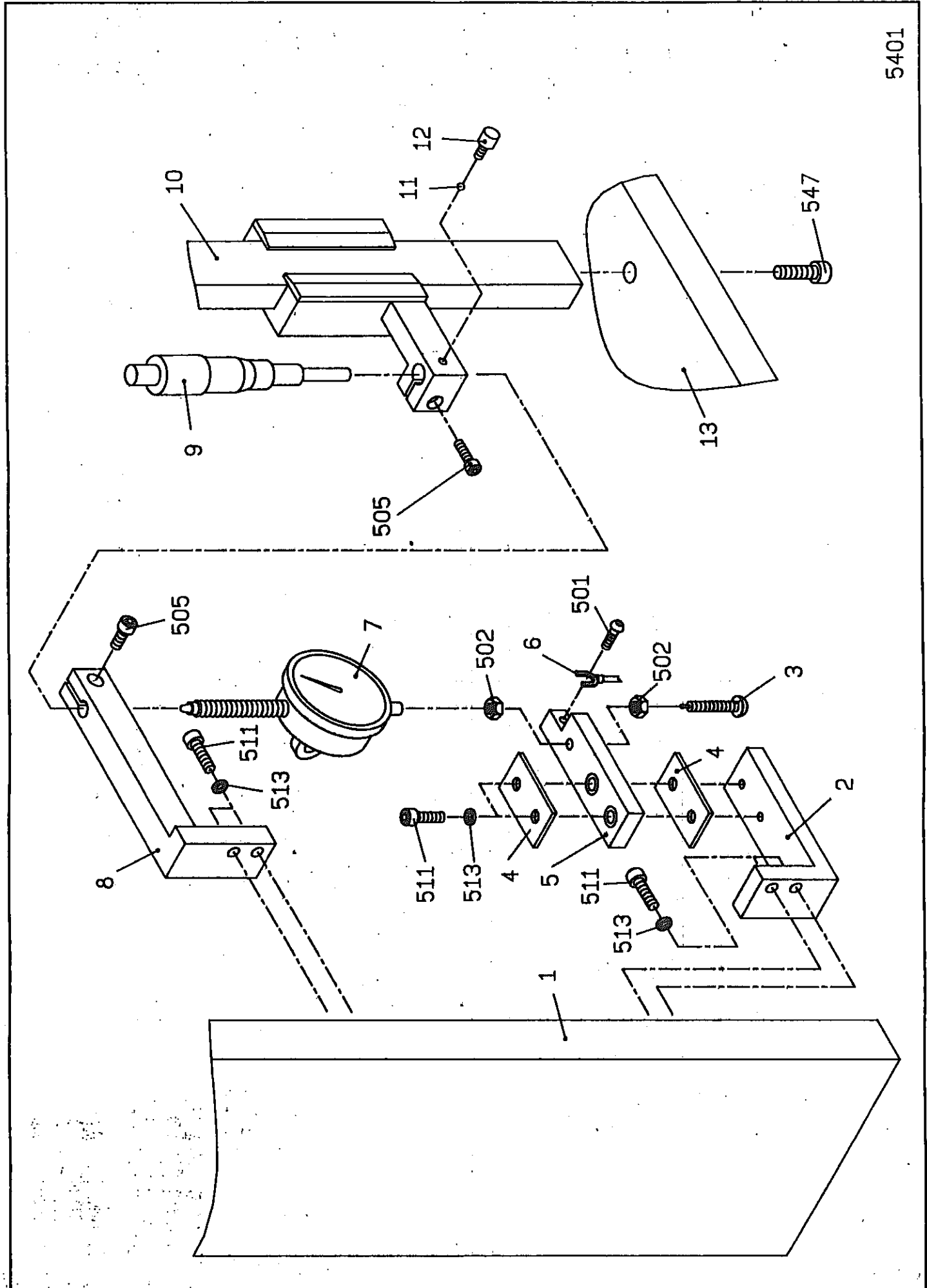
1/4

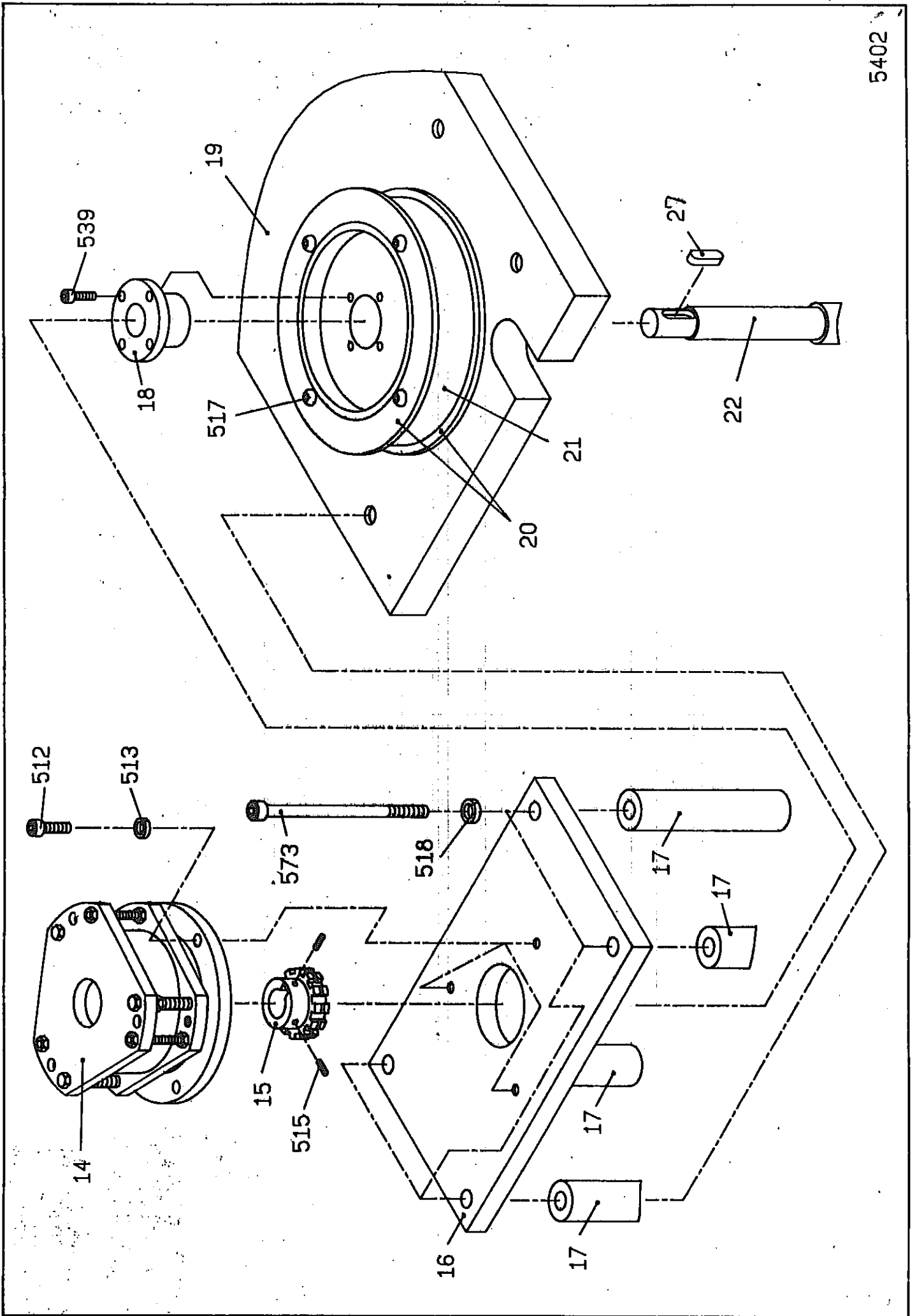
PARTS NO.	DESCRIPTION
1	EXTENSION PLATEN
2	L-TYPE BLOCK
3	PROBE
4	INSULATOR PLATEN
5	L-TYPE PLATEN
6	TERMINAL
7	DIAL GAUGE
8	DIAL GAUGE FIX BLOCK
9	MICROMETER
10	VERNIER CALIPER
11	STEEL BALL
12	SET SCREW
13	ELECTRODE PLATEN
14	BRAKE
16	BRAKE FIX PLATEN
17	BRAKE FIX PLATEN SUPPORT ROD
18	LOCKING ELEMENT
19	RAM BODY PLATEN
21	PULLEY
22	Z-AXIS BALL SCREW
24	RAM
26	BEARINGS BUSHING
27	KEY
28	RING
29	PRECISION NUT
30	BEARING PRELOAD RING
32	SERVO MOTOR
33	SERVO MOTOR FIX PLATEN SPACER BLOCK
34	TIMING BELT PRELOAD BLOCK
35	SERVO MOTOR FIX PLATEN
36	BEARINGS
37	PULLEY
38	TIMING BELT
41	LINEAR GUIDE

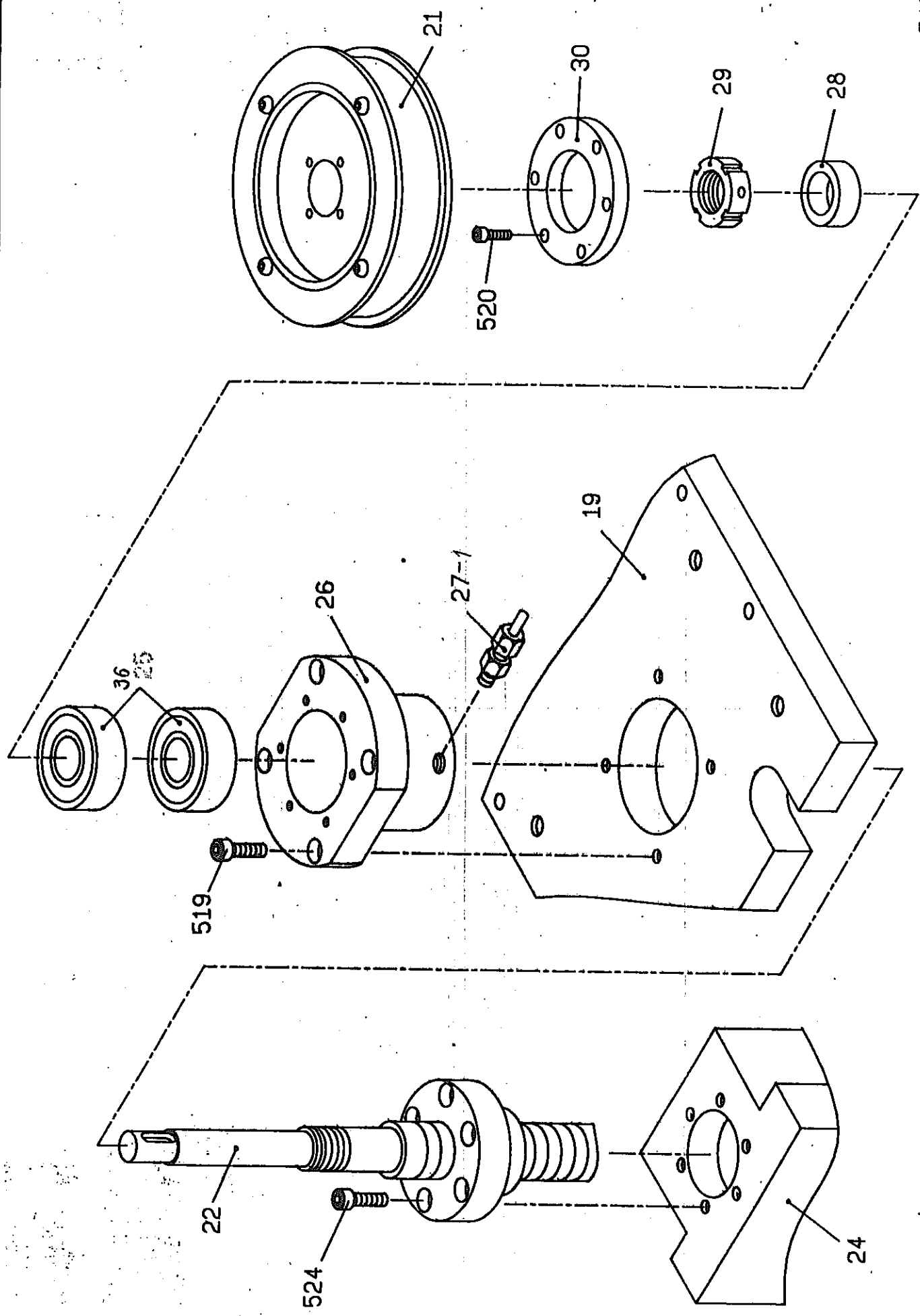
PARTS NO.	DESCRIPTION
43	RAM BODY
44	ELECTRODE HOLDER
45	ELECTRODE PLATEN (T SLOT)
46	INSULATOR PLATEN
47	SPACER
48	INSULATOR RING
49	BELLOW
51	RAM BODY BOTTOM PLATEN
52	EXTENSION PLATEN (RIGHT)
53	WARNING SIGN
54	WORK HEAD COVER (FRONT)
55	WORK HEAD COVER (INSIDE)
56	LIMIT SWITCH FIX PLATEN
57	LIMIT SWITCH
58	DOG
59	BRAND PLATEN
60	WORK HEAD COVER (TOP)
61	W-AXIS LEAD SCREW
62	W-AXIS BUSHING, BEARINGS, NUT & PRELOAD RING
63	NUT BASE
64	SCREW
65	WORK HEAD SUPPORT BLOCK (LEFT)
66	WORK HEAD SUPPORT BLOCK (RIGHT)
67	GIB
68	DISTRIBUTOR
75	PIN
76	KEY
77	LIMIT SWITCH
78	COLUMN REAR COVER (DOWN)
79	COLUMN REAR COVER (UP)
80	HANDLE UNIT
83	W-AXIS LIMIT SWITCH COVER (LEFT)
84	W-AXIS LIMIT SWITCH COVER (RIGHT)
85	COLUMN

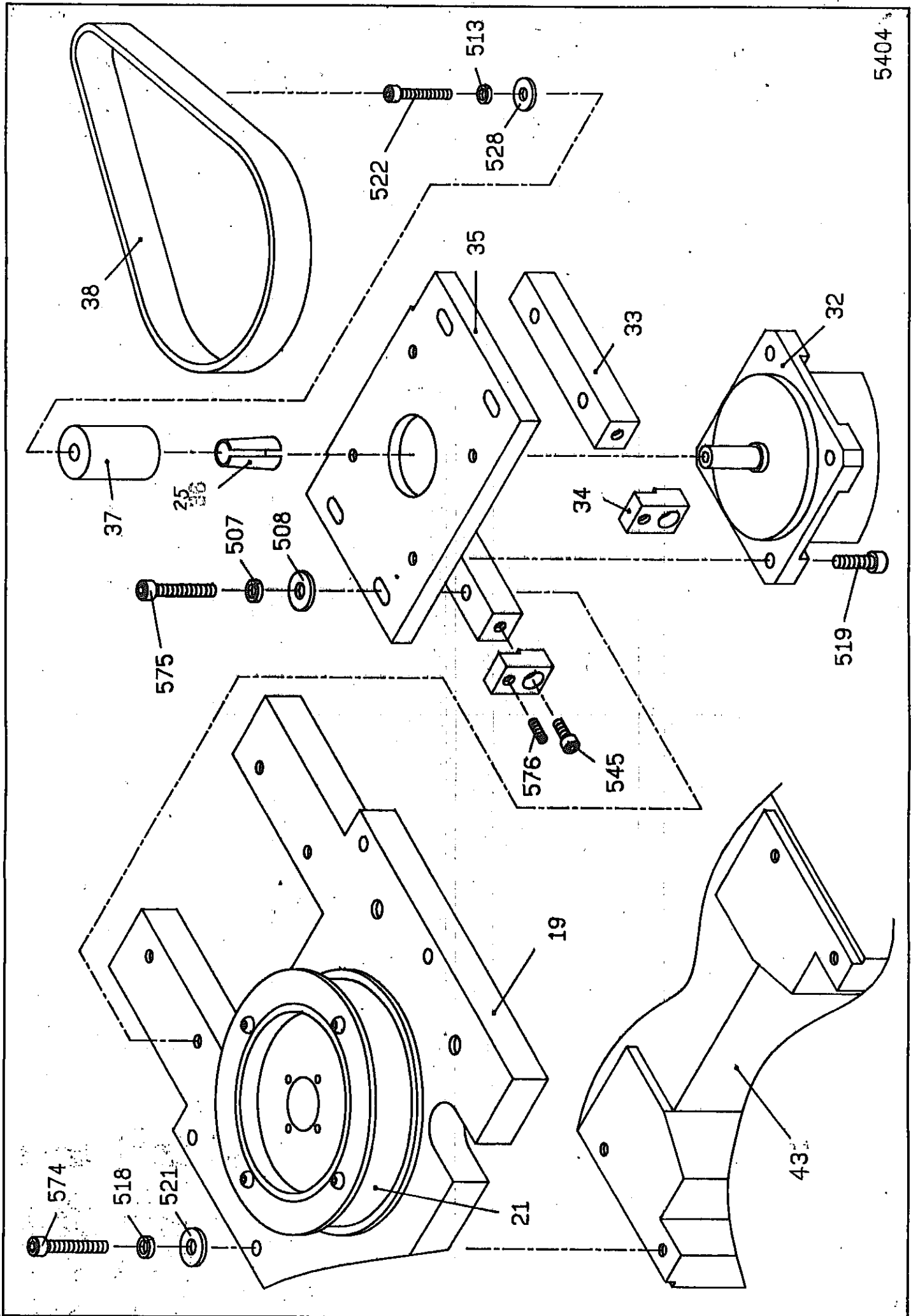
PARTS NO.	DESCRIPTION
86	COLUMN TOP COVER (REAR)
87	COLUMN TOP COVER (FRONT)
88	WORM GEAR
89	RING
90	COLUMN PLATEN
91	KEY
92	LIMIT SWITCH
93	W-AXIS LIMIT SWITCH FIX PLATEN
94	KEY
95	WORM SCREW
95-1	AC MOTOR
109	WORK TABLE
110	FIX BLOCK
111	SADDLE
112	X-AXIS BRAKE PLATEN
113	PLATEN
114	X-AXIS BRAKE PLATEN (STAINLESS)
115	LOCK HANDLE
116	PRELOAD PLATEN
117	X-AXIS BRAKE BLOCK
118	WORK TABLE COVER (RIGHT)
119	COPPER PLATEN
120	SADDLE EXTENSION CAST IRON BOX
121	BED
122	Y-AXIS BALL SCREW
124	NUT BASE
125	Y-AXIS BRAKE PLATEN
126	Y-AXIS BRAKE PLATEN (STAINLESS)
127	Y-AXIS BRAKE BLOCK
129	X-AXIS BALL SCREW
130	PIN
131	RIVET
132	MODEL PLATEN
135	OIL BOX

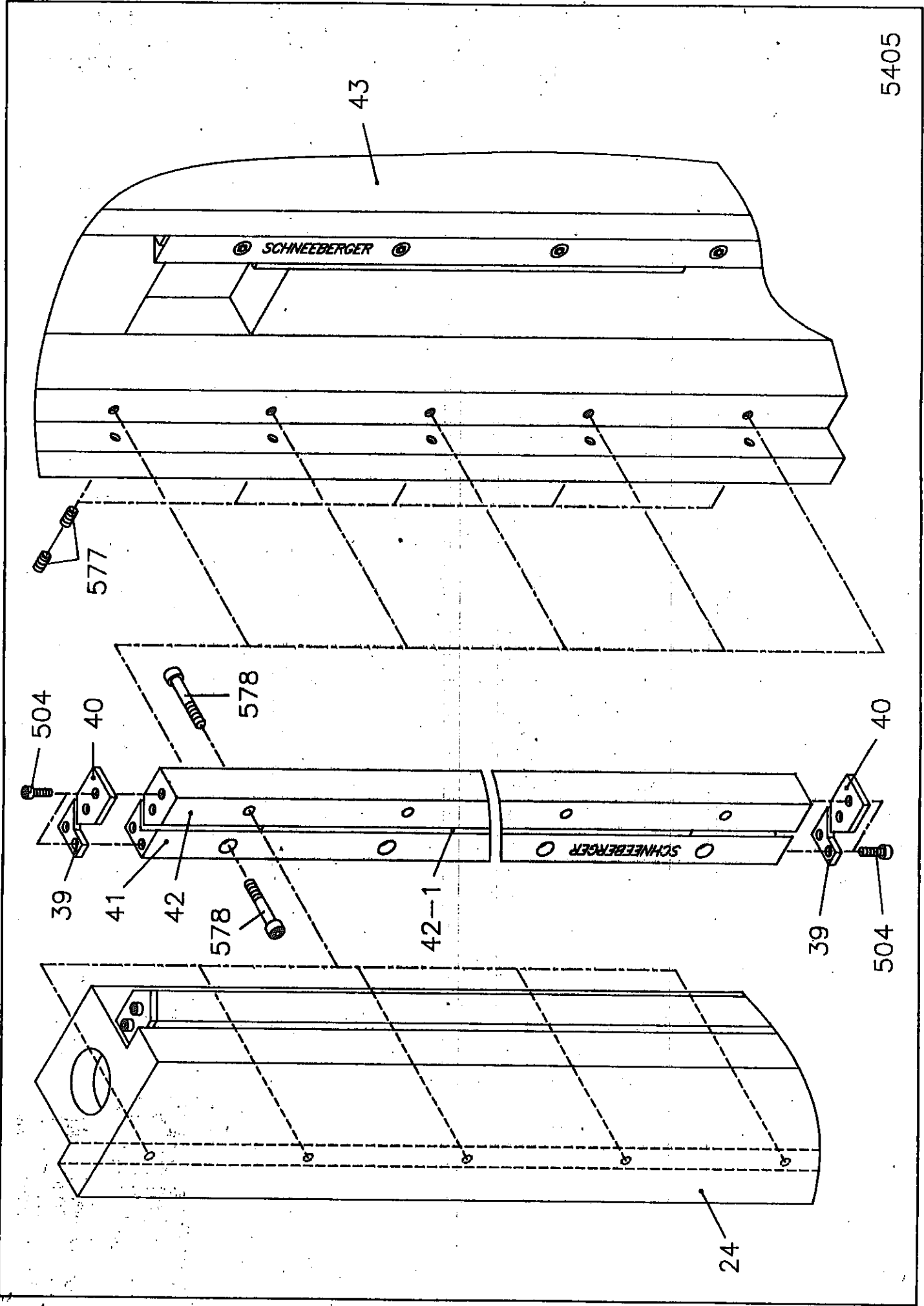
PARTS NO.	DESCRIPTION
136	DISTRIBUTOR
139	DISTRIBUTOR
142	LEVEL PAD
144	LUBRICATOR

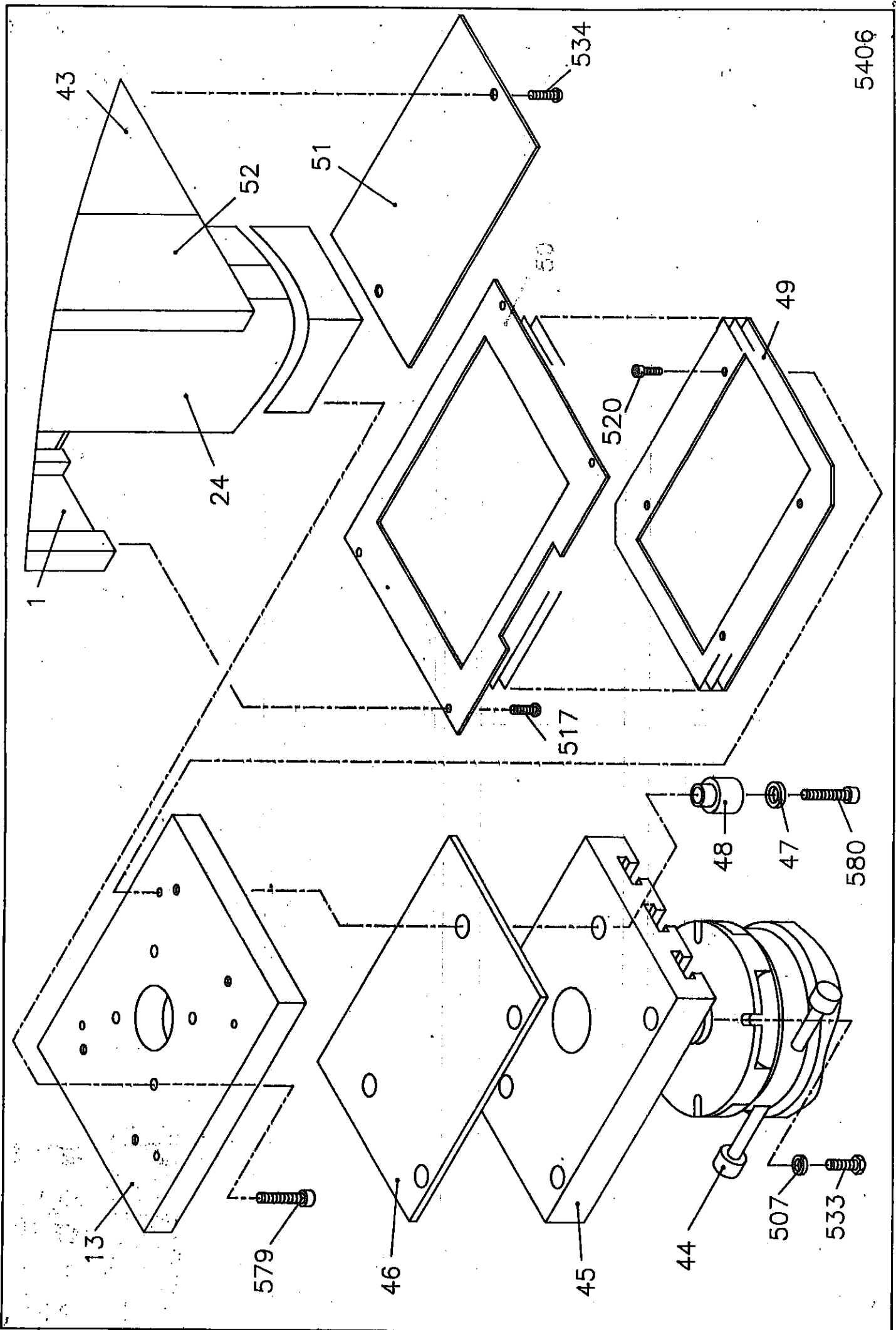


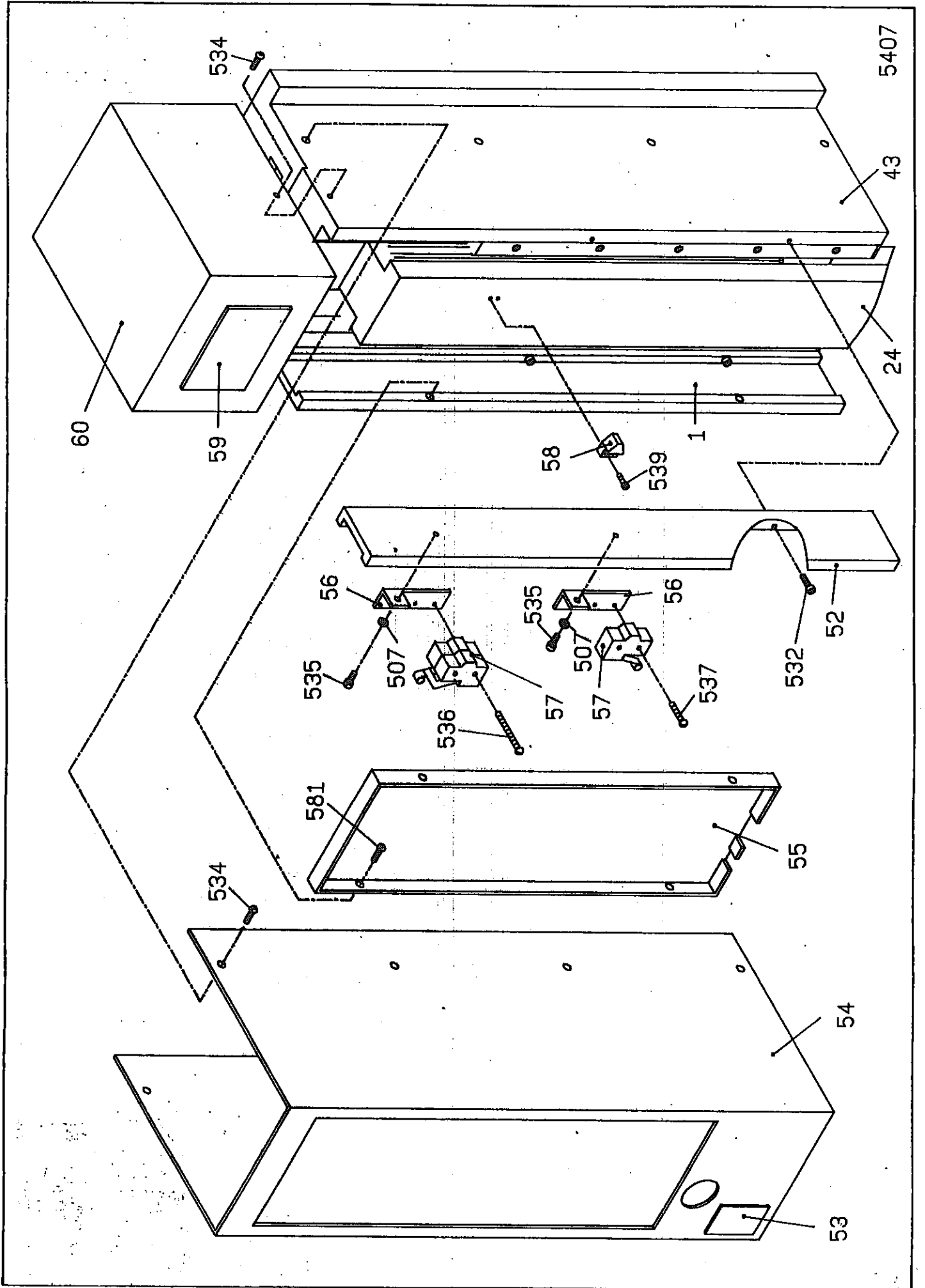


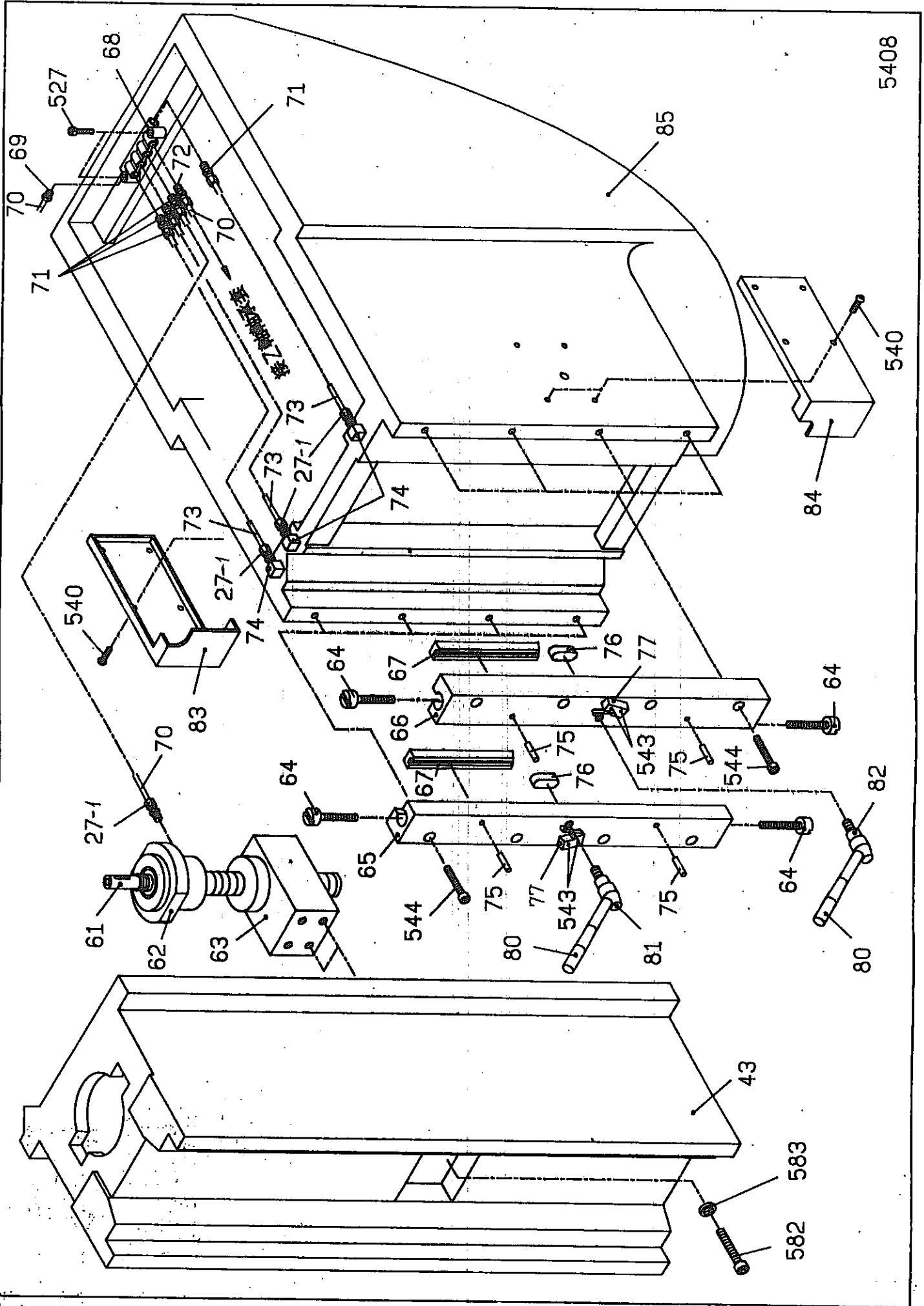


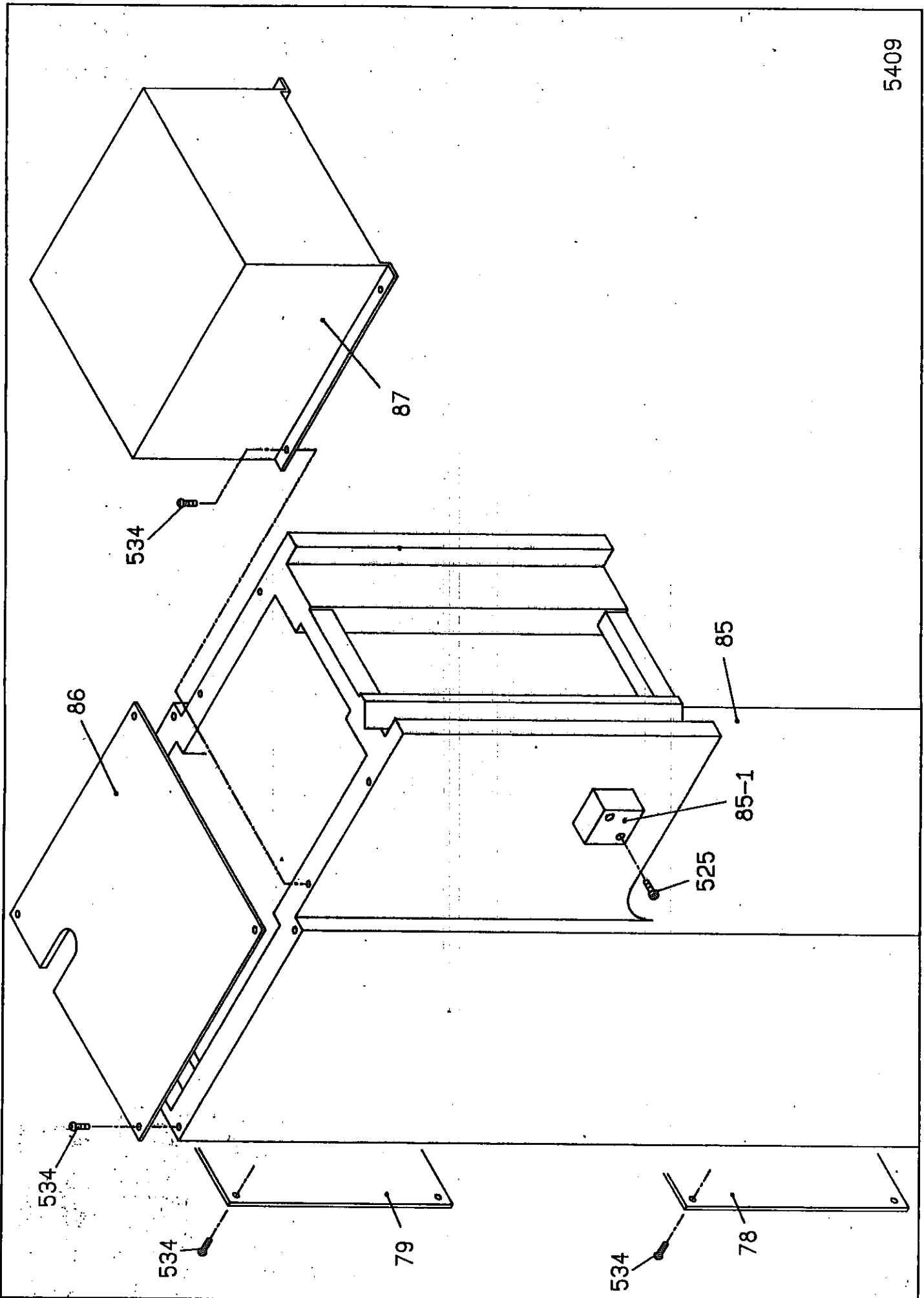


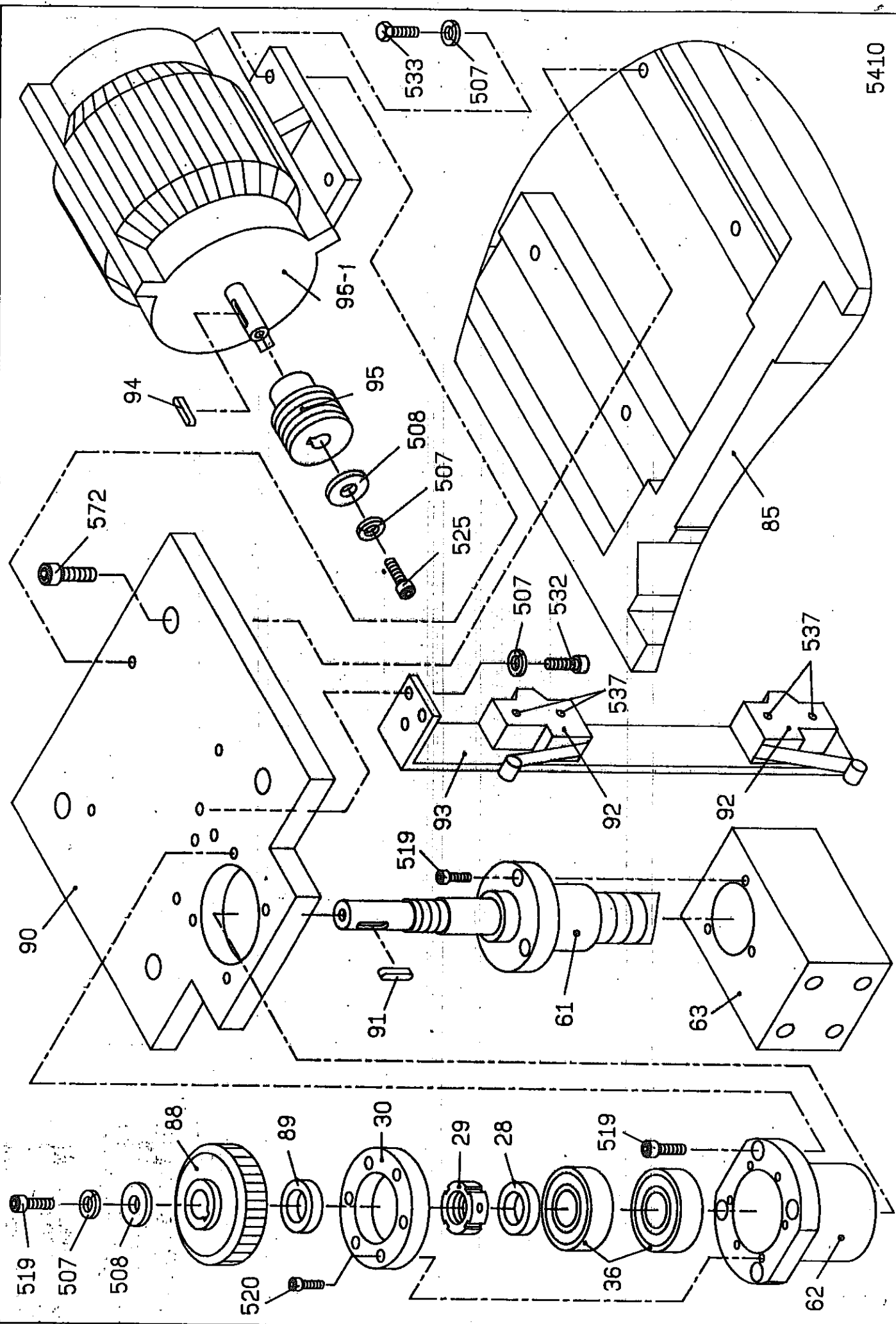


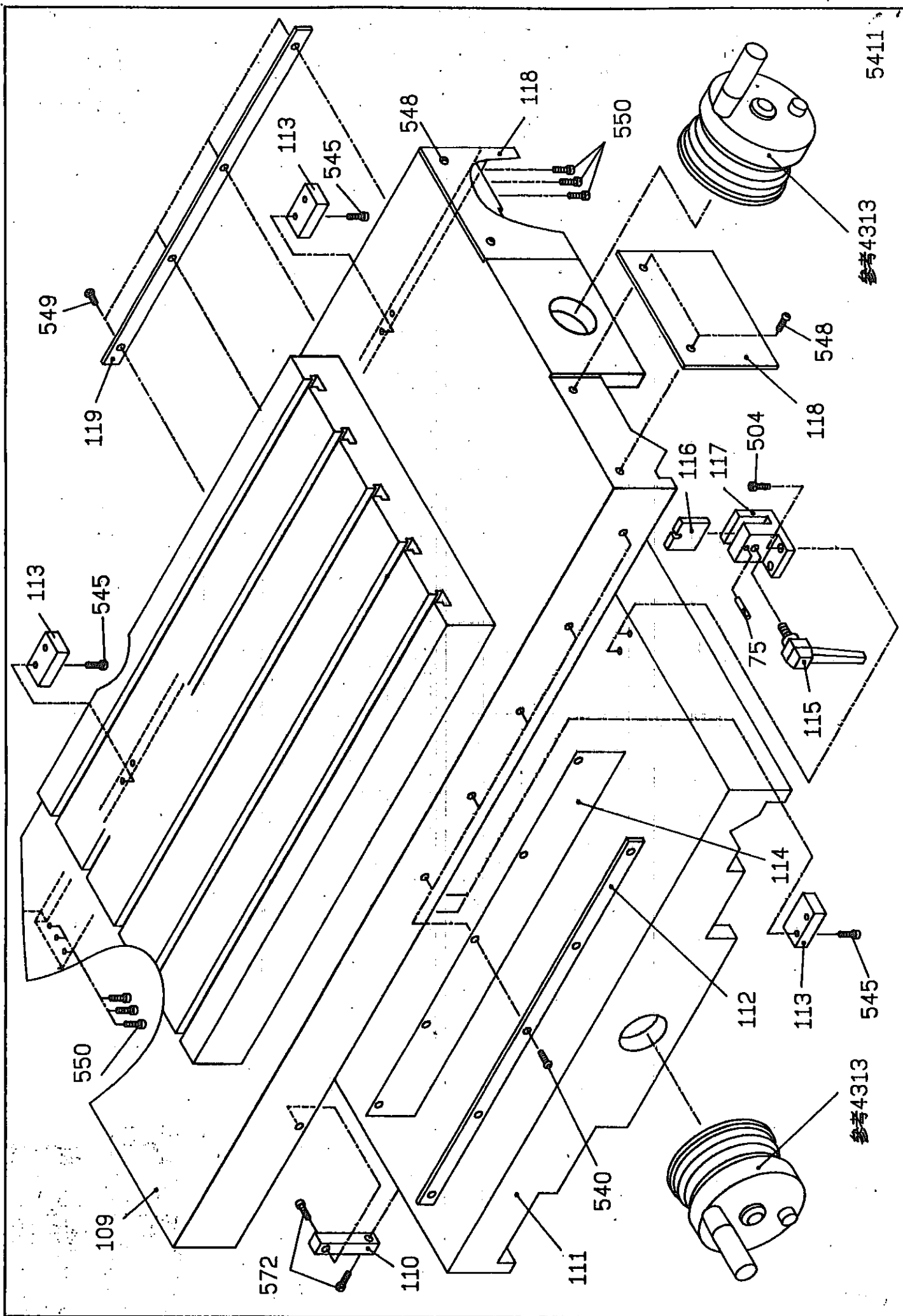


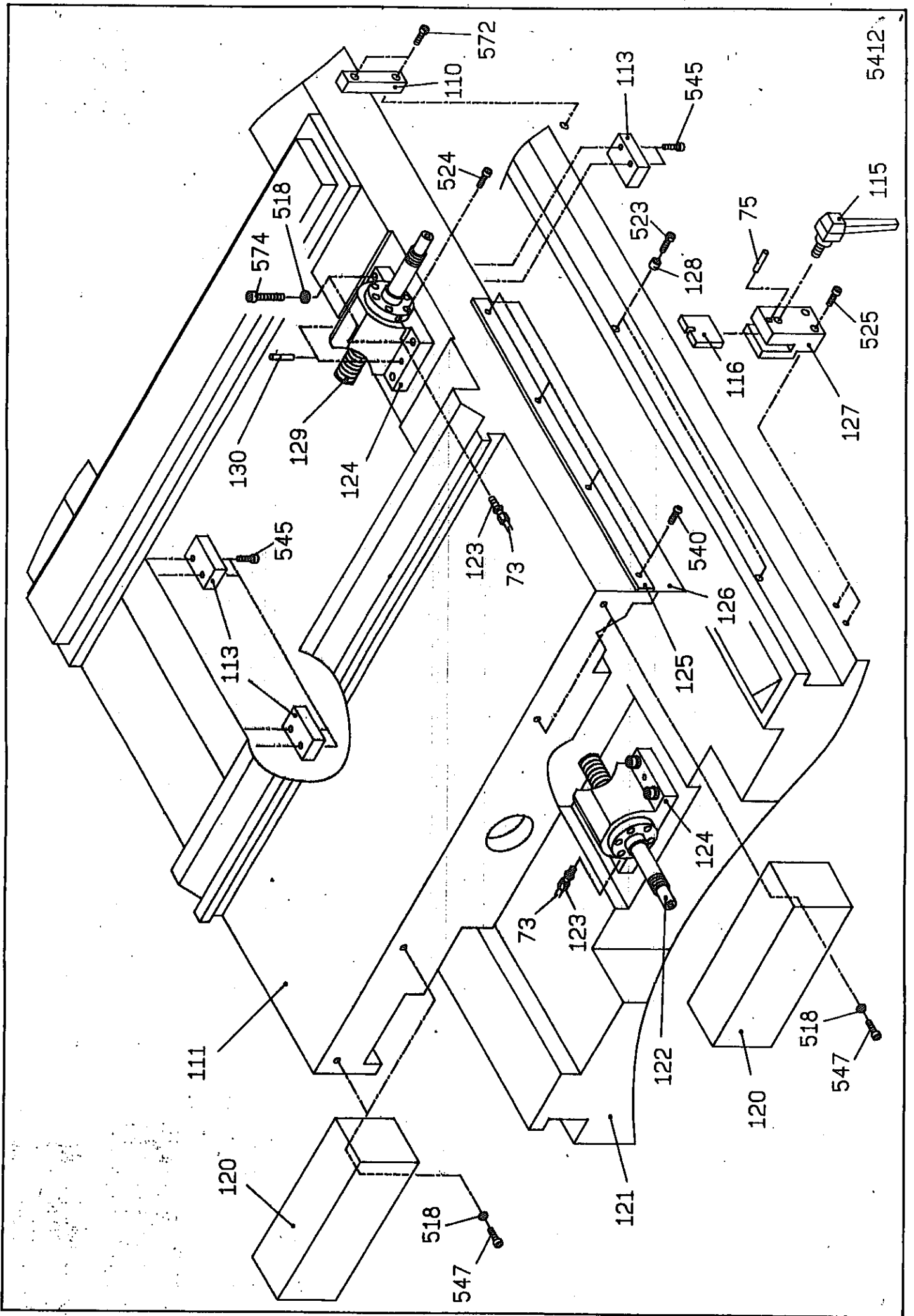


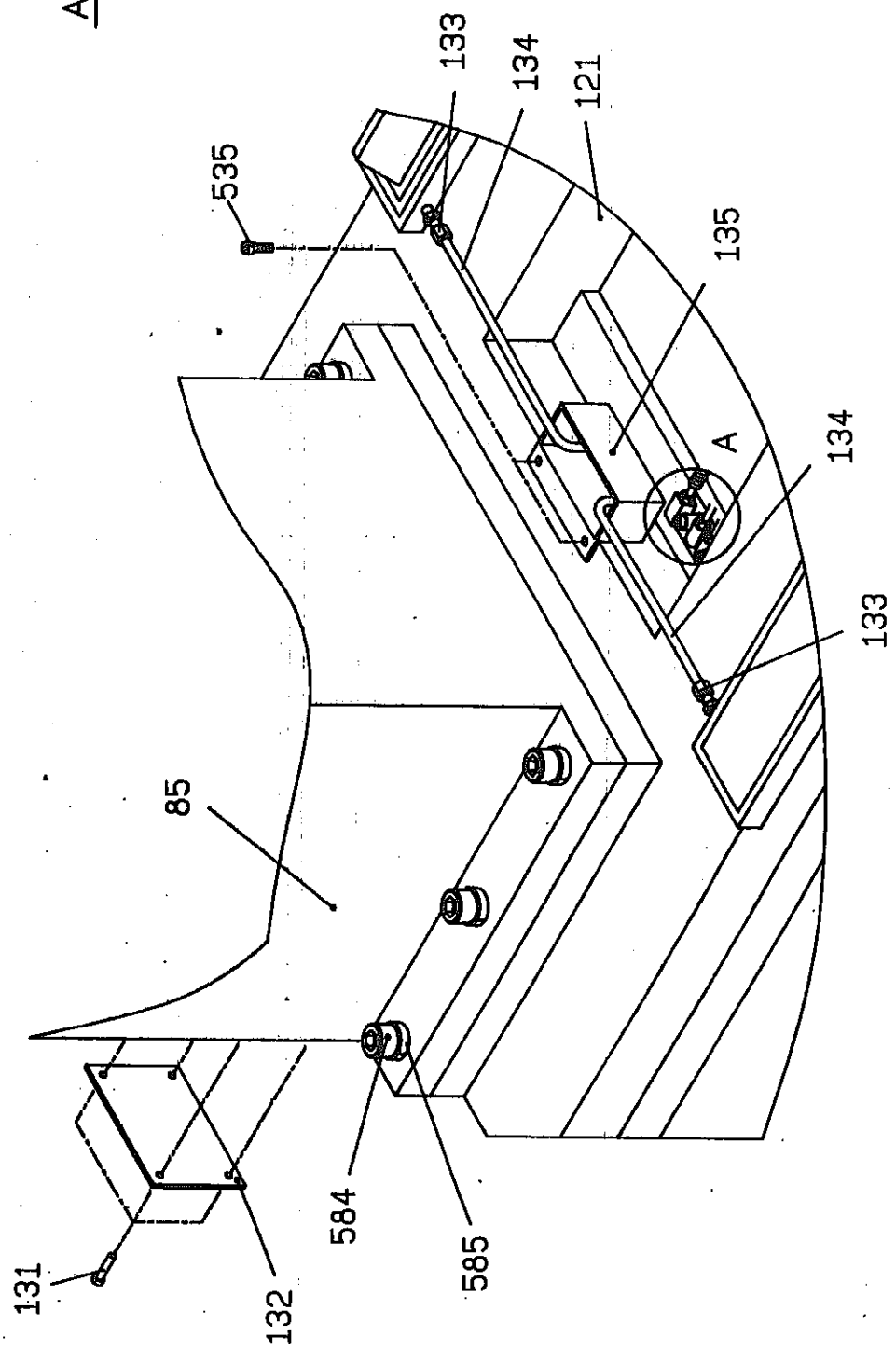
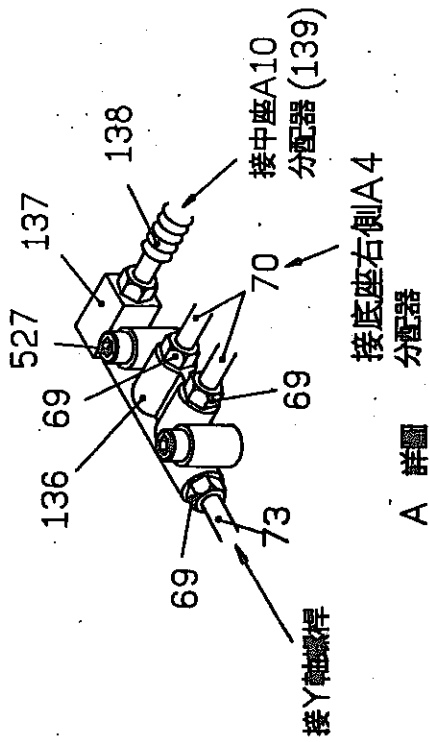


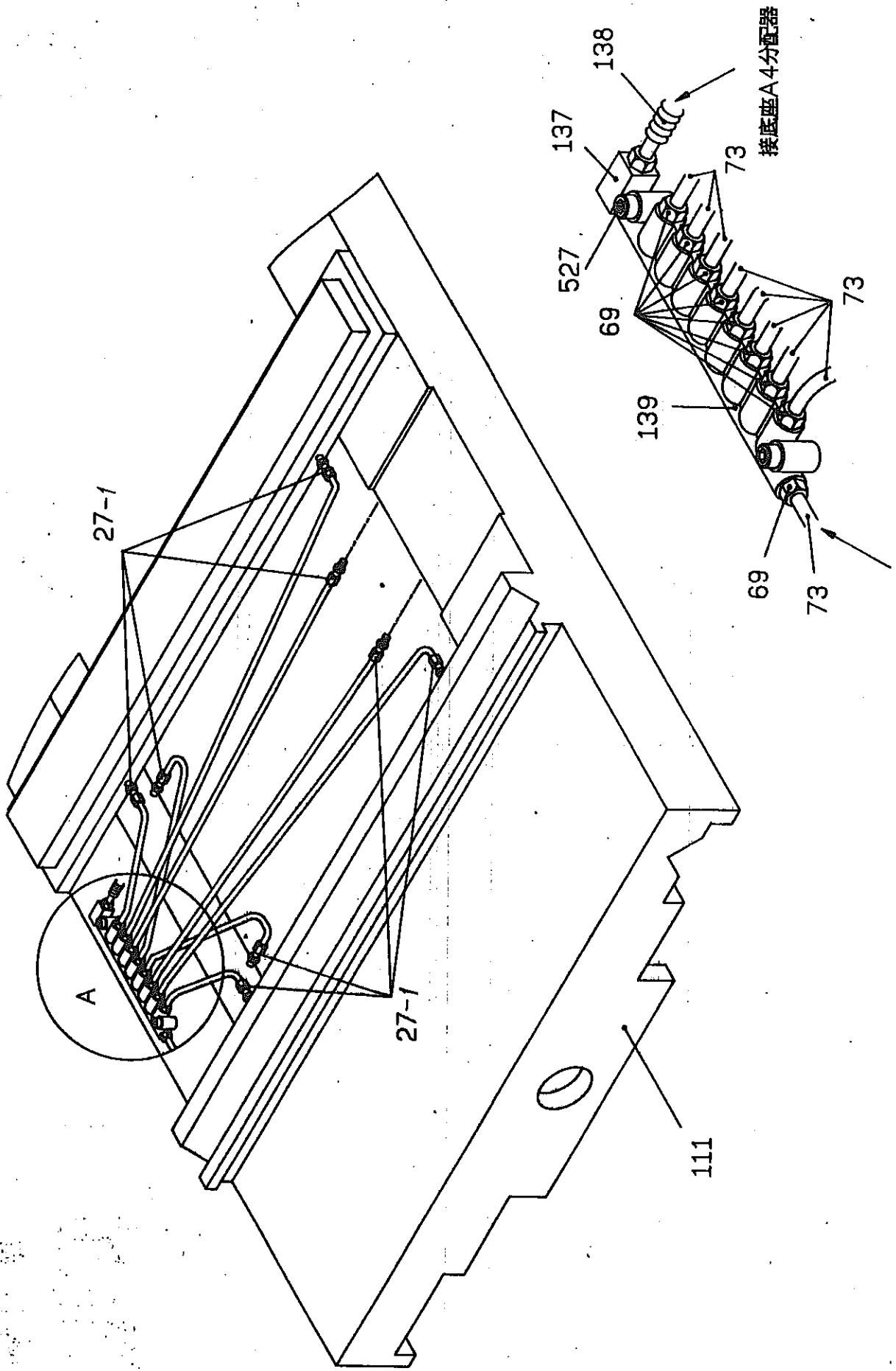








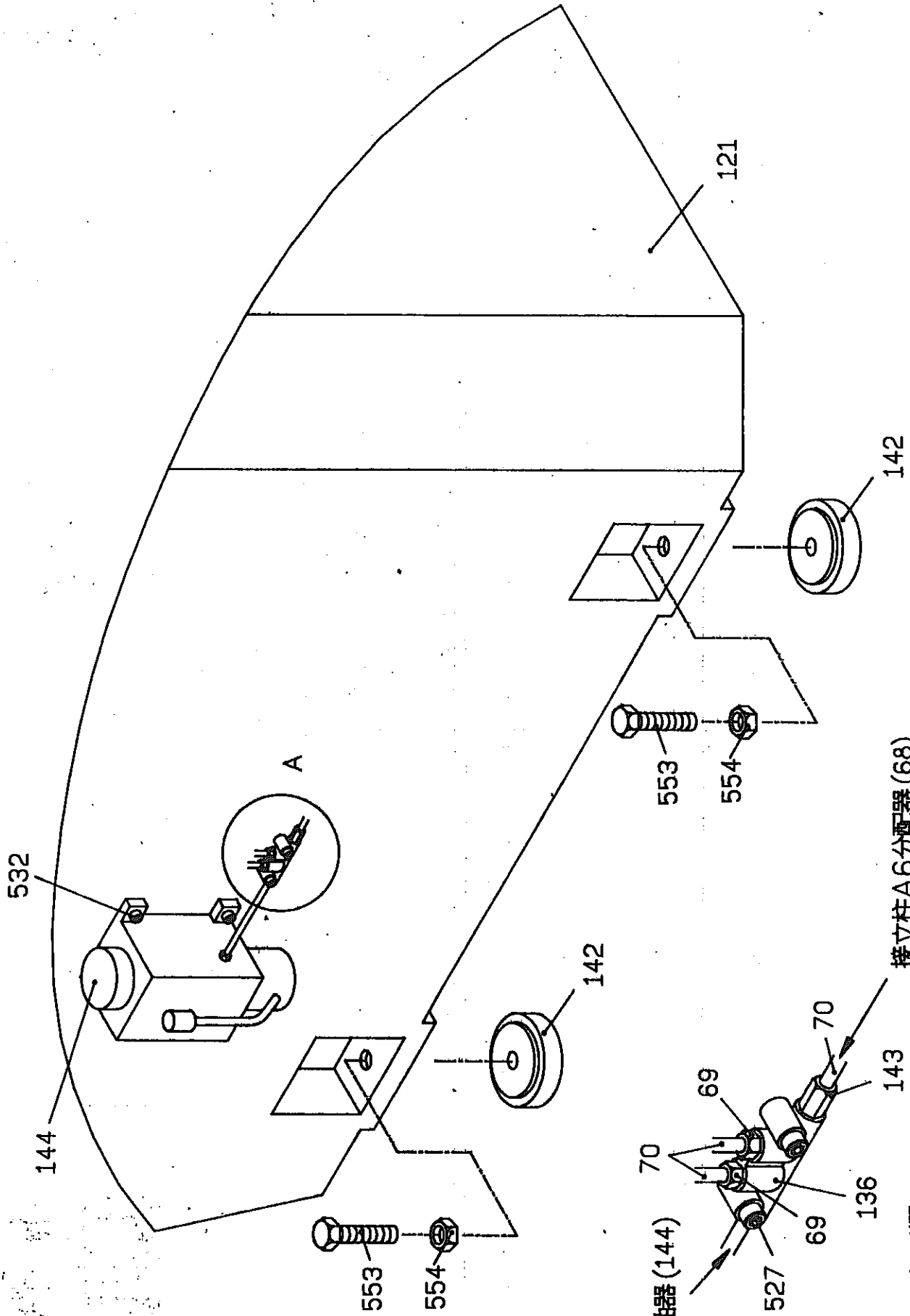




A 詳圖

接X軸螺桿

接底藍A4分配器



A 詳圖

JOEMARS EDM

***X, Y-AXES HAND WHEEL
PARTS LIST***

JOEMARS MACHINERY & ELECTRIC INDUSTRIAL CO., LTD.

OM-001-000/0

HAND WHEEL PARTS LIST

PARTS NO.	DESCRIPTION
27	KEY
36	BEARINGS
96	VERNIER FOR THE GRADUATED DRUM
97	TAPER PIN
98	NUT
99	INDICATOR RING
100	SPACER
101	NUT
102	BEARINGS
103	HAND-WHEEL
104	PIN
106	HAND-WHEEL FIX RING
107	HAND
108	SCREW

