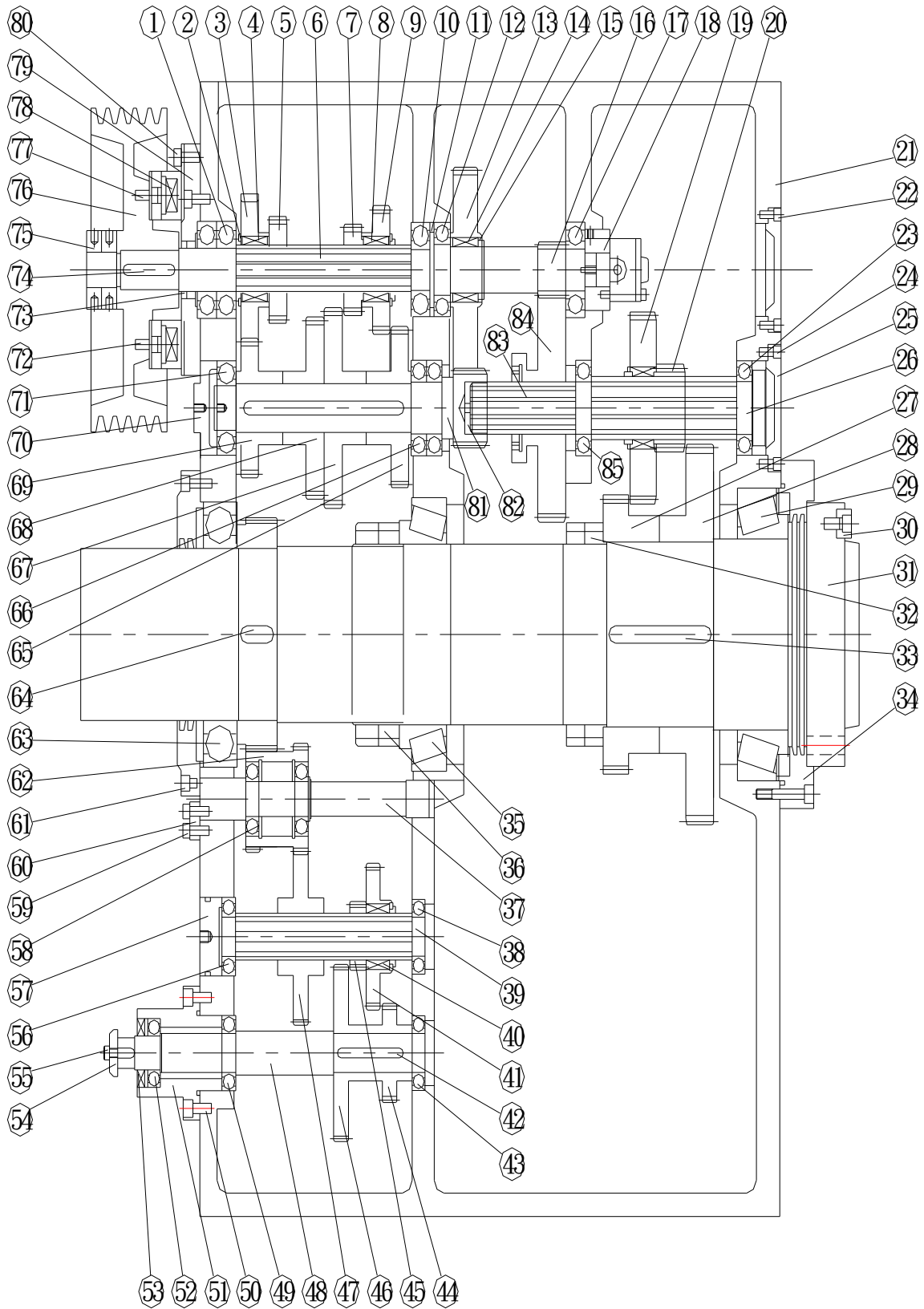


HEAVY DUTY POWERFUL LATHE

PARTS LIST

PARTS LIST

HEADSTOCK



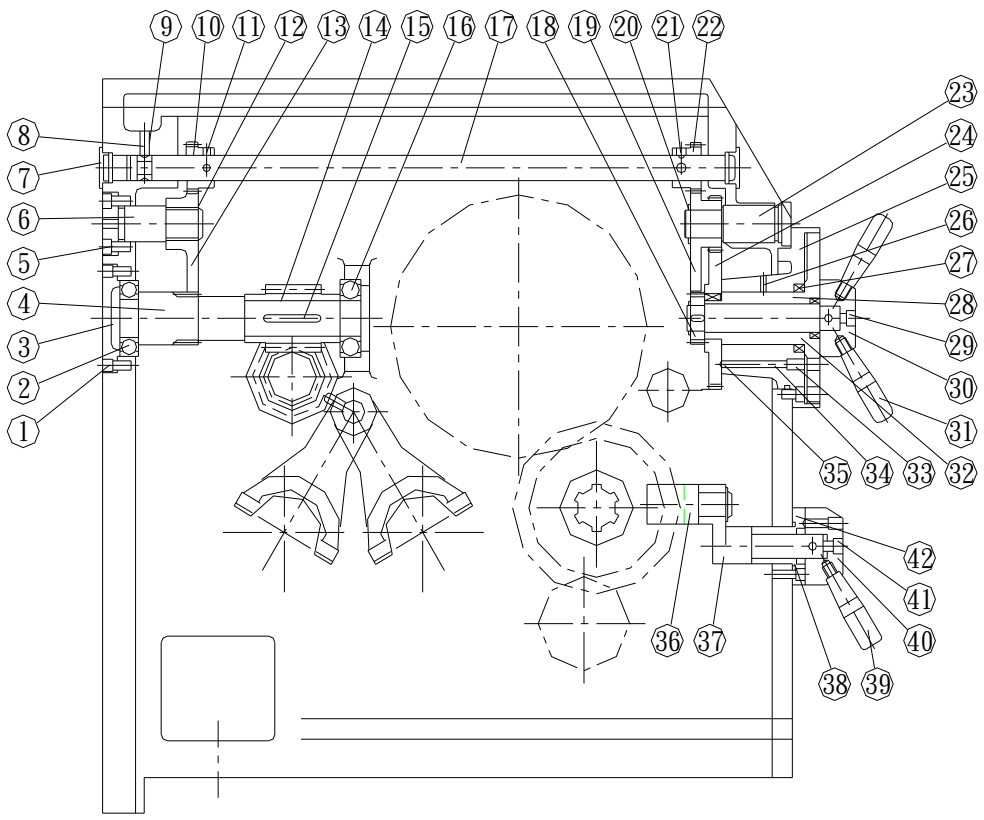
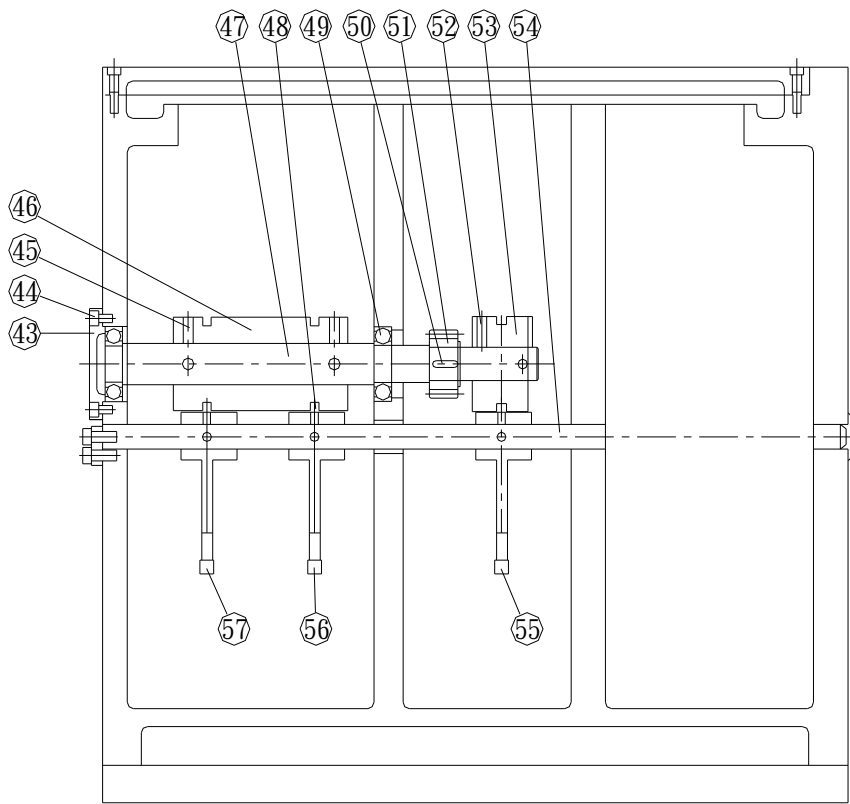
HEADSTOCK				
REF NO.	PART NO.	DESCRIPTION	PARTS NAME	Q'TY
0 1		BEARING	6309	2
0 2		SNAP RING	S65	1
0 3	HL- 2006	GEAR		1
0 4		KEY	10 x 8 x 35L	1
0 5	HL- 2005	GEAR		1
0 6	HL- 2004	SHAFT		1
0 7	HL- 2007	GEAR		1
0 8		KEY	10 x 8 x 35L	1
0 9	HL- 2008	GEAR		1
1 0		BEARING	6309	1
1 1	HL- 2009	COLLAR		1
1 2		BEARING	6211	1
1 3	HL- 2011	GEAR		1
1 4		KEY	10 x 8 x 35L	1
1 5		SNAP RING	S65	1
1 6	HL- 2010	HEAR SHAFT		1
1 7		BEARING	6309	1
1 8	HL- 2012	PUMP BASE		1
1 9	HL- 2026	GEAR		1
2 0	HL- 2025	GEAR		1
2 1	HL- 2001	BODY		1
2 2		SCREW	M8	3
2 3		BEARING	6211	1
2 4		SCREW	M8	3
2 5	HL- 2014	COVER		2
2 6	HL- 2023	SHAFT		1

HEADSTOCK

REF NO.	PART NO.	DESCRIPTION	PARTS NAME	Q'TY
27	HL- 2030	GEAR		1
28	HL- 2029	GEAR		1
29		BEARING	32040x	1
30		DRIVING BOTTOM		1
31	HL- 2002	SHAFT		1
32	HL- 2031	NUT		2
33		KEY	18 x 12 x 140L	2
34	HL- 2034	COVER		1
35		BEARING	32038x	1
36	HL- 2032	NUT		2
37	HL- 2036	SHAFT		1
38		BEARING	6208	1
39	HL- 2039	SHAFT		1
40		KEY	10 x 8 x 30L	1
41	HL- 2042	GEAR		1
42		KEY	10 x 8 x 90L	1
43		BEARING	6208	1
44	HL- 2046	GEAR		1
45	HL- 2041	GEAR		1
46	HL- 2045	GEAR		1
47	HL- 2040	GEAR		1
48	HL- 2044	SHAFT		1
49		BEARING	6208	1
50		SCREW	M10	4
51	HL- 2047	COVER		1
52		BEARING	6207	1

HEADSTOCK				
REF NO.	PART NO.	DESCRIPTION	PARTS NAME	Q'TY
53		OIL SEAL	TC357210	1
54	HL- 3064	WASHER		1
55		SCREW	M8	1
56		BEARING	6208	1
57	HL- 2043	COVER		1
58		BEARING	6208	2
59		SCREW	M10	2
60	HL- 2038	PRESS BLOCK		1
61	HL- 2035	COVER		1
62	HL- 2037	GEAR		1
63		BEARING	6036	2
64		KEY	18 x 12 x 45L	1
65	HL- 2021	GEAR		2
66		BEARING	6211	1
67	HL- 2020	GEAR		1
68	HL- 2019	GEAR		1
69	HL- 2018	GEAR		1
70	HL- 2027	COVER		1
71		BEARING	6309	1
72		SCREW	M10	3
73		OIL SEAL	TC45608	1
74		KEY	10 x 8 x 70L	2
75	HL- 2016	NUT		2
76	HL- 2015	BELT PULLEY		1
77		SCREW	M10	
78		CLUTCH	TMB20	1

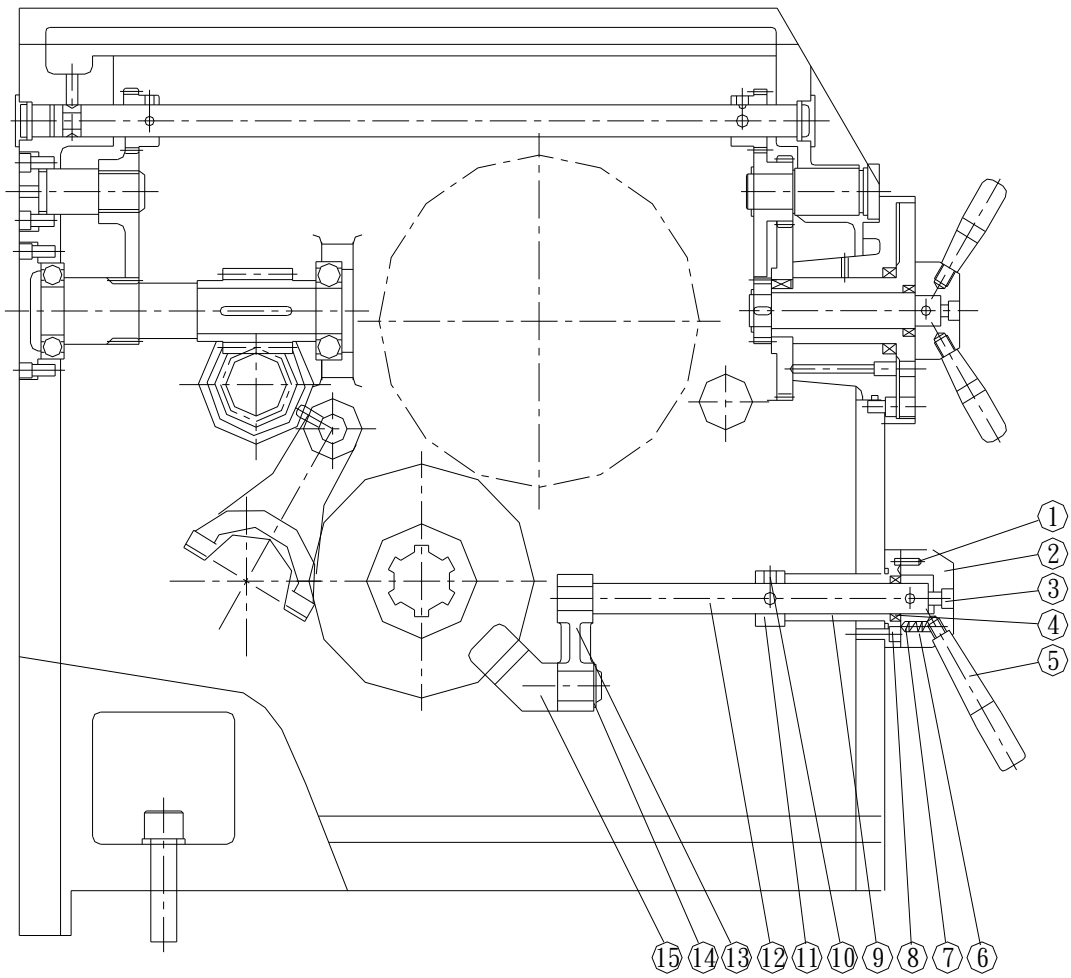
HEADSTOCK



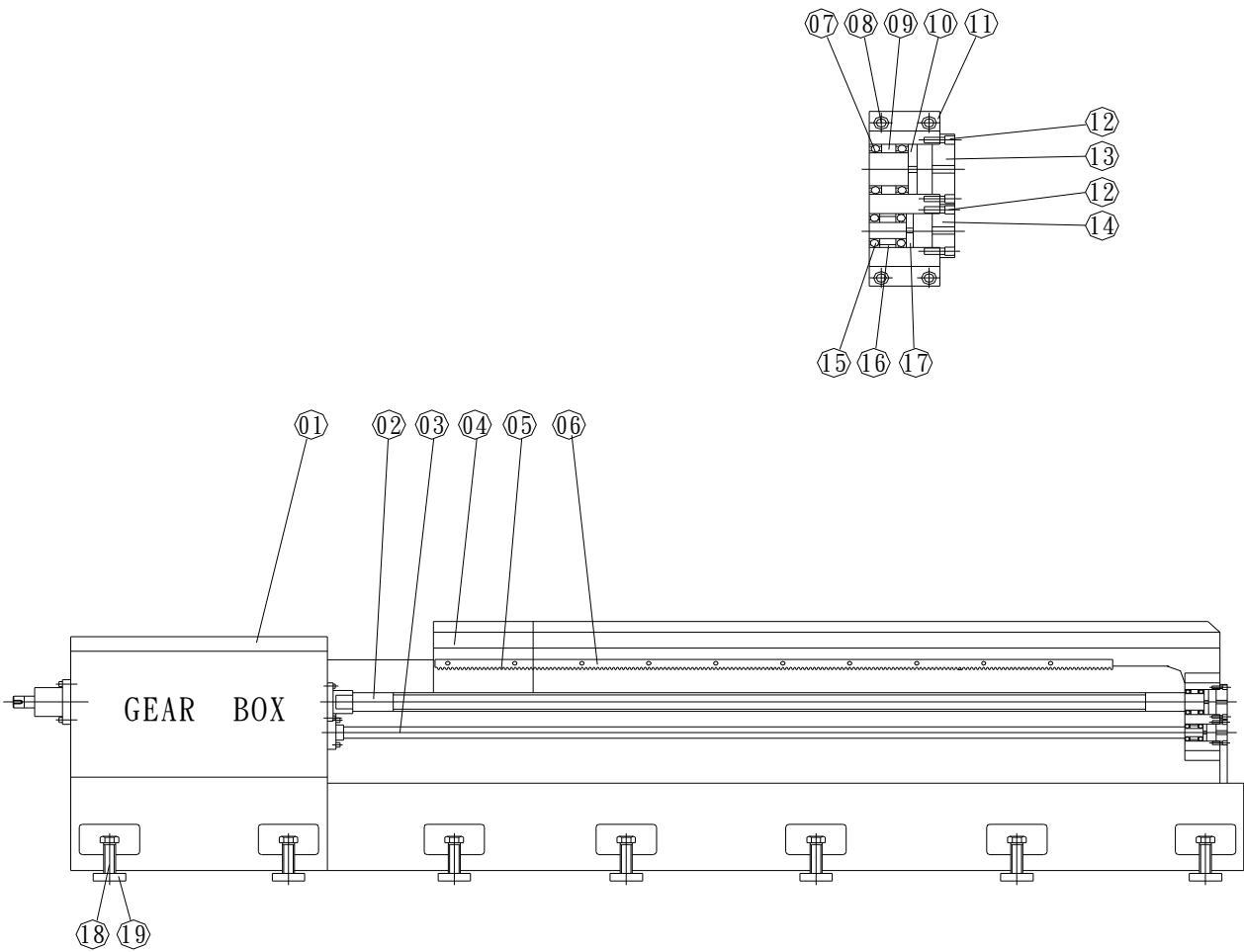
HEADSTOCK				
REF NO.	PART NO.	DESCRIPTION	PARTS NAME	Q'TY
0 1		SCREW	M8	3
0 2		BEARING	6208	1
0 3	HL- 2052	COVER		1
0 4	HL- 2063	GEAR SHAFT		1
0 5		SCREW	M8	3
0 6	HL- 2067	SHAFT		1
0 7		OIL COVER	§ 32	3
0 8		SET SCREW	M10	1
0 9	HL- 2071	COLLAR		1
1 0	HL- 2070	GEAR		1
1 1		SET SCREW	M10	2
1 2		SNAP RING	S30	1
1 3	HL- 2068	GEAR		1
1 4	HL- 2064	STICK		1
1 5		KEY	6 x 6 x 60L	1
1 6		BEARING	6307	1
1 7	HL- 2069	SHAFT		1
1 8	HL- 2062	GEAR		1
1 9	HL- 2066	GEAR		1
2 0		SNAP SCREW	S30	1
2 1		SET SCREW	M10	2
2 2	HL- 2070	GEAR		1
2 3	HL- 2065	SHAFT		1
2 4	HL- 2061	GEAR		1
2 5	HL- 2058	NAME PLATE COVER		1
2 6		OIL CAP	M6	1

HEADSTOCK				
REF NO.	PART NO.	DESCRIPTION	PARTS NAME	Q'TY
27		OIL SEAL	TC-357010	1
28	HL- 2059	NAME PLATE COVER		1
29		SCREW	M8	1
30	HL- 2057	STEM ARM		1
31	HL- 2056	HANDLE		2
32	HL- 2060	SHAFT		1
33		SCREW	M10	1
34		SPRING	M8	1
35		BALL		1
36	HL- 2076	FORK		2
37	HL- 2075	FORK ARM		2
38		SCREW	M8	4
39	HL- 2056	HANDLE		2
40	HL- 2073	STEM ARM		2
41		SCREW	M8	2
42	HL- 2074	BUSHING		2
43	HL- 2052	COVER		1
44		SCREW	M8	3
45		SET SCREW	M10	4
46	HL- 2049	CAM		1
47	HL- 2048	SHAFT		1
48	HL- 2055	PIN		3
49		BEARING	6208	1
50		KEY	6 x 6 x 25L	1
51	HL- 2051	GEAR		1
52		SCREW	M10	1

HEADSTOCK

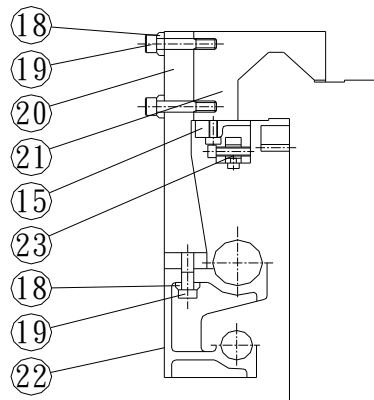
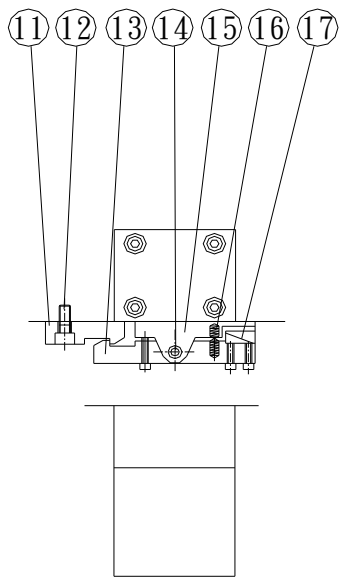
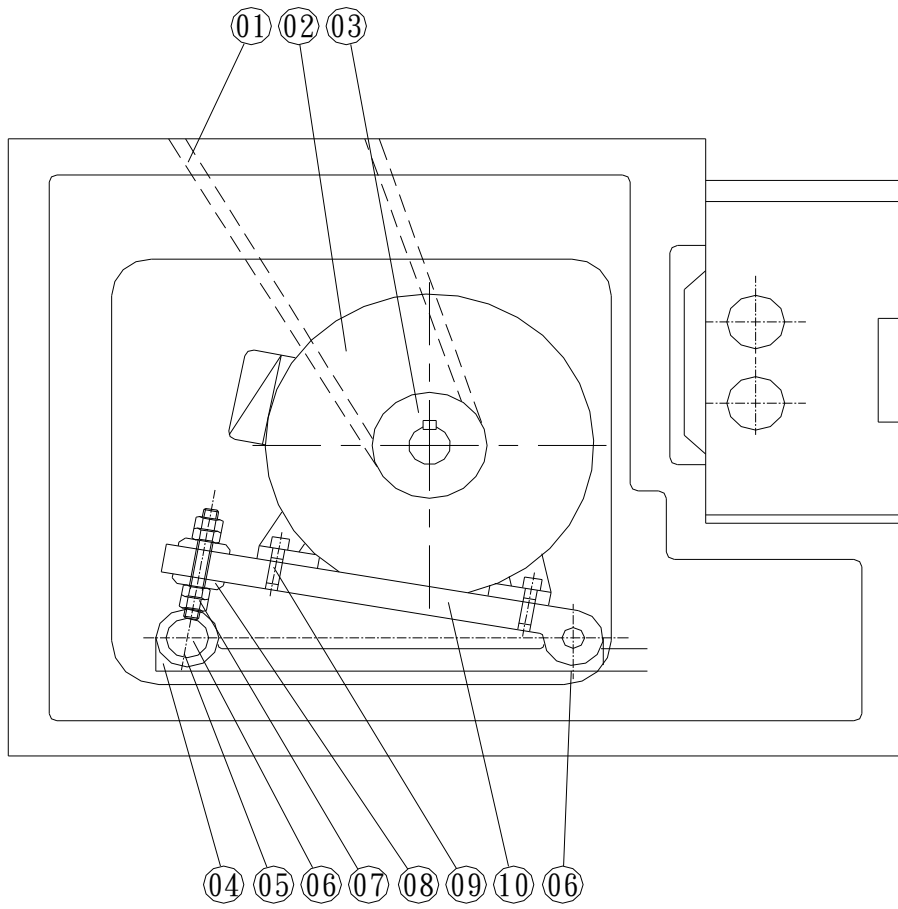


BED



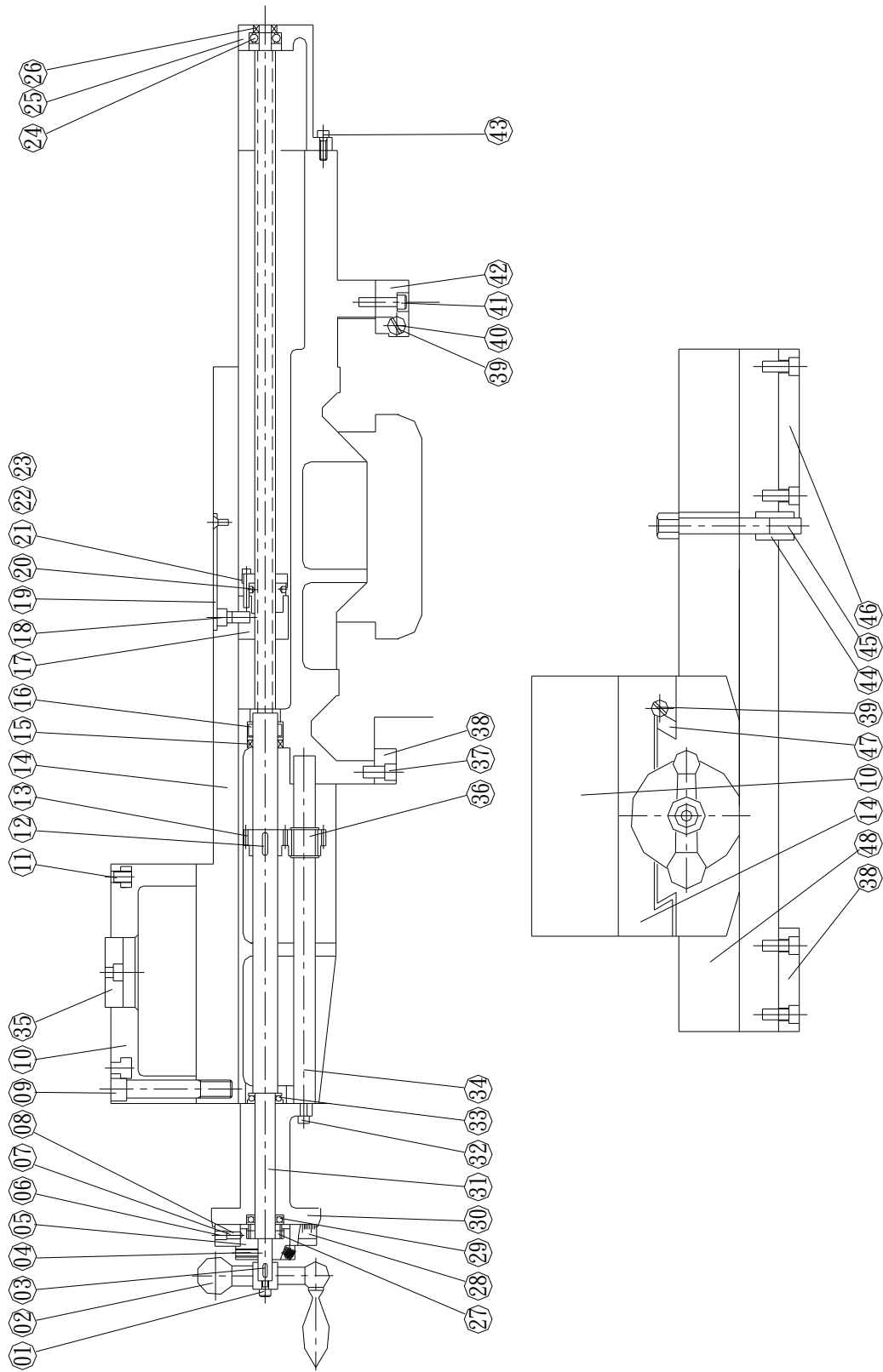
BED				
REF NO.	PART NO.	DESCRIPTION	PARTS NAME	Q'TY
0 1	HL- 1001	BED		1
0 2	HL- 1006	LEAD SCREW		1
0 3	HL- 1007	FEED ROD		1
0 4	HL- 1002	GAP PLATE		1
0 5	HL- 1003	PACK		1
0 6	HL- 1004	PACK		1~
0 7		BEARING	#6008	2
0 8		SCREW	M10	4
0 9	HL- 1009	COLLAR		1
1 0	HL- 1010	COLLAR		1
1 1	HL- 1008	BRACKET		1
1 2		SCREW	M8	6
1 3	HL- 1011	COVER		1
1 4	HL- 1014	COVER		1
1 5		BEARING	6005	1
1 6	HL- 1012	COLLAR		2
1 7	HL- 1013	COLLAR		1
1 8	HL- 1030	ADJUSTING BOLT		14~
1 9	HL- 1031	WASHER BLOCK		14~

BED



BED				
REF NO.	PART NO.	DESCRIPTION	PARTS NAME	Q'TY
01		V-BELT	B-	5
02		MOTER	20HP	1
03	HL- 1019	PULLEY		1
04	HL- 1016	LOW-PLATE		1
05	HL- 1018	BLOT		2
06	HL- 1017	SHAFT		2
07		NUT	M16	8
08		WASHER		4
09		SCREW		4
10	HL- 1015	MOTOR PLATE		1
11	HL-1019-1	CONNECTING ROD		2
12		SCREW	M8	2
13	HL-1025	CONNECTING ROD		2
14		SCREW	M8	2
15	HL-1023	LOCTING BED		2
16	HL- 1024	LOCTING BED		2
17		SPRING	M8	2
18	HL- 1027	PUSH BLOCK		2
19	HL- 1028	PUSH BLOCK		2
20	HL- 1029	WASHER		12
21		SCREW	M10	12
22	HL- 1021	BRACKET		2
23	HL- 1020	BRACKET		2
24	HL- 1022	BRACKET		2

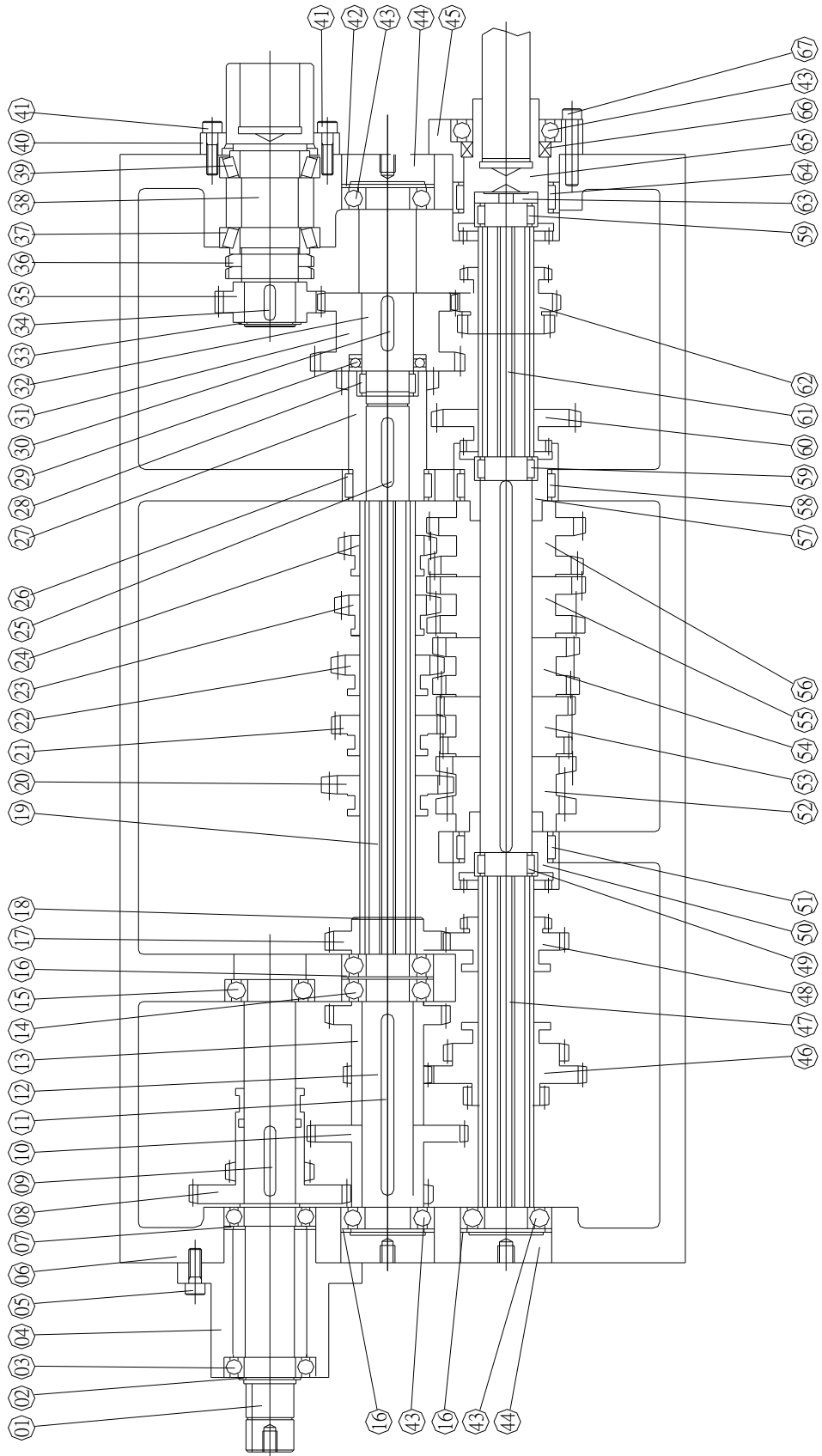
CARRIAGE



CARRIAGE				
REF NO.	PART NO.	DESCRIPTION	PARTS NAME	Q'TY
01		SCREW	M8	1
02		HANDLE		1
03		KEY	4 x 16	1
04		SCRWE	M10	1
05	HL- 5005	BUSHING		1
06		SCREW	M10	1
07		SPRING	M8	1
08		BALL	M8	1
09		SCREW	M16	4
10	HL- 5003	GRADUATON BED		1
11	HL- 5023	NUT		4
12		KEY	6 x 25	1
13	HL- 5009	GEAR	18T	1
14	HL- 5002	SLIDING		1
15		OIL SEAL	TC30428	1
16		BEARING	RNA4905	1
17	HL- 5010	NUT		1
18		SCREW	M10	2
19	HL- 5024	COVER		1
20	HL- 5011	NUT		1
21	HL- 5012	COLLAR		1
22		SCREW	M6	4
23		SCREW	M5	4
24		BEARING	6004	1
25	HL- 5013	BRACKET		1
26		OIL COVER	ø32	1

CARRIAGE				
REF NO.	PART NO.	DESCRIPTION	PARTS NAME	Q'TY
27		NUT	AN05	1
28	HL- 5006	GRADUATION		1
29		BEARING	51105	1
30	HL- 5007	BRACKET		1
31	HL- 5008	LEAD SCREW		1
32		SCREW	M8	2
33		BEARING	51105	1
34	HL- 5014	SHAFT		1
35	HL- 5022	SHAFT		1
36	HL- 5015	GEAR	M2.5 x 18T	1
37		SCREW	M12	4
38	HL- 5019	LOCK PLATE		1
39		SCREW	M8	4
40	HL- 5021	PAPER		1
41		SCREW	M12	5
42	HL- 5020	LOCK PLATE		1
43		SCREW	M8	3
44	HL- 5016	LOCK PLATE		1
45		BLOT	M16	1
46	HL- 5018	LOCK PLATE		1
47	HL- 5004	PAPER		1
48	HL- 5001	CARRIAGE		1

GEAR BOX

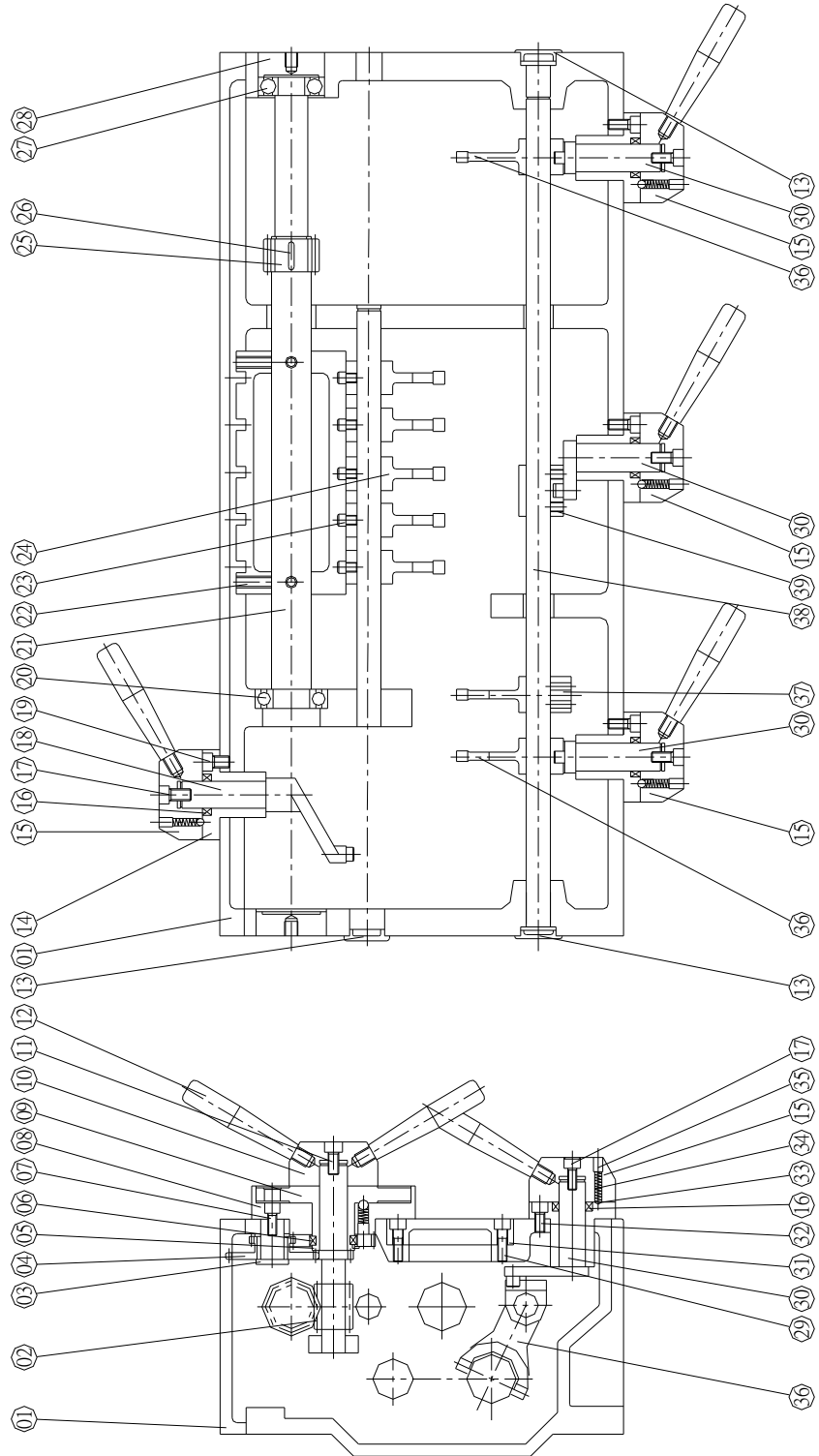


GEAR BOX				
REF NO.	PART NO.	DESCRIPTION	PARTS NAME	Q'TY
01	HL- 3005	SHAFT		1
02		SNAP RING	S25	1
03		BEARING	6007	2
04	HL- 3004	COVER		1
05		SCREW	M8	3
06	HL- 3001	GEAR BOX		1
07		SPRING WASHER	ø62	1
08	HL- 3006	GEAR		1
09		KEY	8 x 7 x 50L	1
10	HL- 3012	GAER		1
11		KEY	8 x 7 x 130L	1
12	HL- 3011	SHAFT		1
13	HL- 3013	GEAR		1
14		BEARING	#6206	2
15		BEARING	6206	2
16		SPRING WASHER	RTW56	1
17	HL- 3015	GEAR		1
18		SNAP RING	S38	1
19	HL- 3014	SHAFT		1
20	HL- 3016	GEAR		1
21	HL- 3017	GEAR		1
22	HL- 3018	GEAR		1
23	HL- 3019	GEAR		1
24	HL- 3020	GAER		1
25		KEY	8 x 7 x 50L	1
26		BEARING	RNA4908	1

GEAR BOX				
REF NO.	PART NO.	DESCRIPTION	PARTS NAME	Q'TY
27	HL- 3021	GEAR		1
28		BEARING	RNA4905	1
29		BEARING	RNA4905	1
30		KEY	8 x 7 x 40	1
31	HL- 3023	GEAR		1
32	HL- 3022	SHAFT		1
33		SNAP RING	S35	1
34		KEY	8 x 7 x 25	2
35	HL- 3009	GEAR		1
36		NUT	AN08	2
37		BEARING	#32008X	1
38	HL- 3008	SHAFT		1
39		BEARING	#32008X	1
40	HL- 5007	COVER		1
41		SCREW	M8	3
42		SPRING WASHER	ø68	1
43		BEARING	6206	3
44	HL- 3010	COVER		3
45	HL- 3039	COVER		1
46	HL- 3025	GAER		1
47	HL- 3024	SHAFT		1
48	HL- 3026	GEAR		1
49		BEARING	RNA4905	1
50	HL- 3028	GEAR		1
51		BEARING	RNA4910	1
52	HL- 3029	GEAR		1

GEAR BOX				
REF NO.	PART NO.	DESCRIPTION	PARTS NAME	Q'TY
5 3	HL- 3030	GEAR		1
5 4	HL- 3031	GEAR		1
5 5	HL- 3032	GEAR		1
5 6	HL- 3033	GEAR		1
5 7	HL- 3028	GEAR		1
5 8		BEARING	RNA4910	1
5 9		BEARING	RNA4905	2
6 0	HL-3035	GEAR		1
6 1	HL- 3034	SHAFT		1
6 2	HL- 3036	GEAR		1
6 3	HL- 3038	COLLAR		1
6 4		BEARING	RNA4910	1
6 5	HL- 3037	SHAFT		1
6 6		OIL SEAL	TC45608	1
6 7		SCREW	M8	3

GEAR BOX

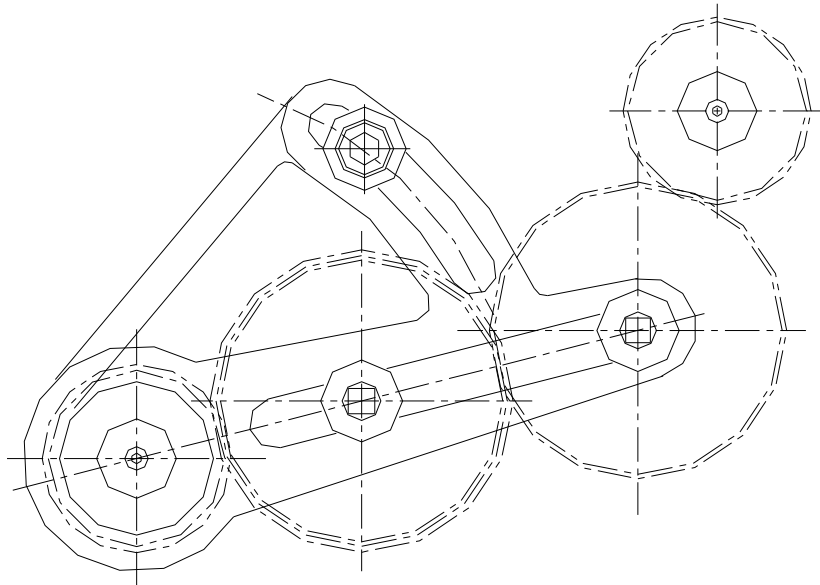
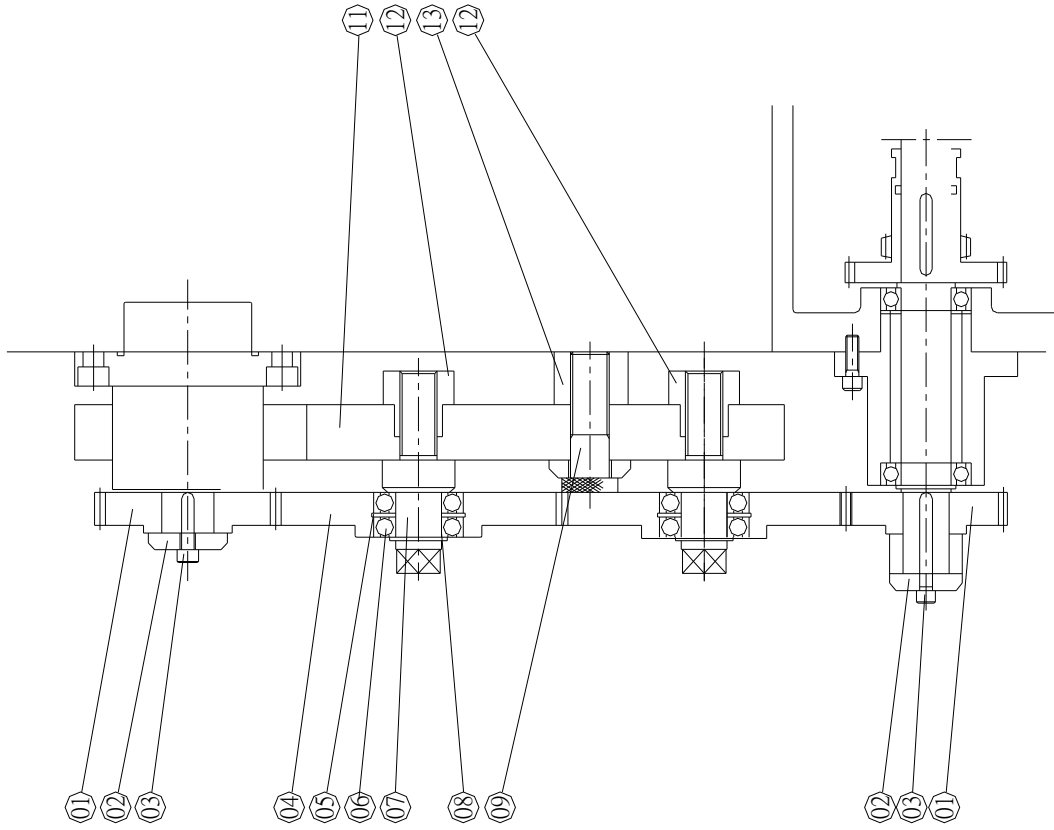


GEAR BOX				
REF NO.	PART NO.	DESCRIPTION	PARTS NAME	Q'TY
0 1	HL- 3002	COVER		1
0 2	HL- 3055	SHAFT		1
0 3	HL- 3056	SHAFT		1
0 4	HL- 3057	GEAR		1
0 5		SNAP RING	S38	1
0 6		DEY	5 x 5 x 8L	1
0 7		SCRW	M8	4
0 8	HL- 3052	BUSHING		1
0 9	HL- 3053	NAME-PLATE COVER		1
1 0	HL- 2073	ROCKER ARM		4
1 1		SCREW	M8	1
1 2	HL- 2072	HANDLE		6
1 3		OIL COVER	ø32	3
1 4	HL- 3049	BUSHING		4
1 5	HL- 2073	ROCKER ARM		4
1 6		OIL SEAL	TC25357	4
1 7		SCREW	M8	4
1 8	HL- 3050	FORK ARM		1
1 9		SCRW	M8	8
2 0		BEARING	6206	1
2 1	HL- 3040	SHAFT		1
2 2		SET SCREW	M10	4
2 3	HL- 2055	PIN		5
2 4	HL- 3044	FORK		5
2 5	HL- 3042	GEAR		1
2 6		KEY	6 x 6 x 25L	1

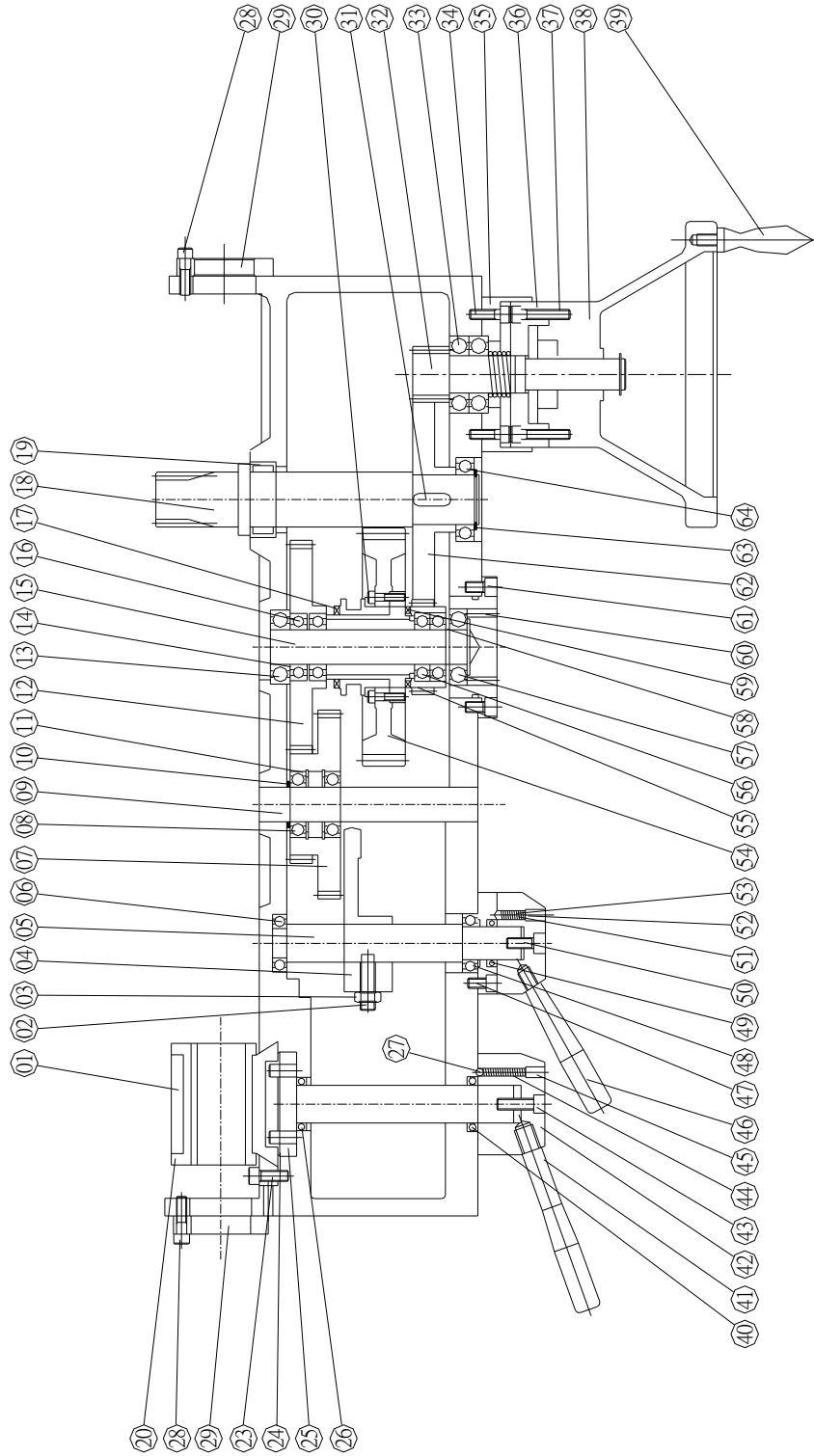
GEAR BOX

REF NO.	PART NO.	DESCRIPTION	PARTS NAME	Q'TY
27		BEARING	6305	1
28	HL- 3010	COVER		1
29		SCREW	M8	8
30	HL- 3051	FORK ARM		3
31	HL- 3003	COVER		1
32		SCREW	M8	2
33		BALL	M8	5
34		SPRING	M8	5
35		SCRW	M10	5
36	HL- 3047	FORK		2
37	HL- 3048	FORK		1
38	HL- 3045	SHAFT		1
39	HL- 3046	FORK		1

END GEARS



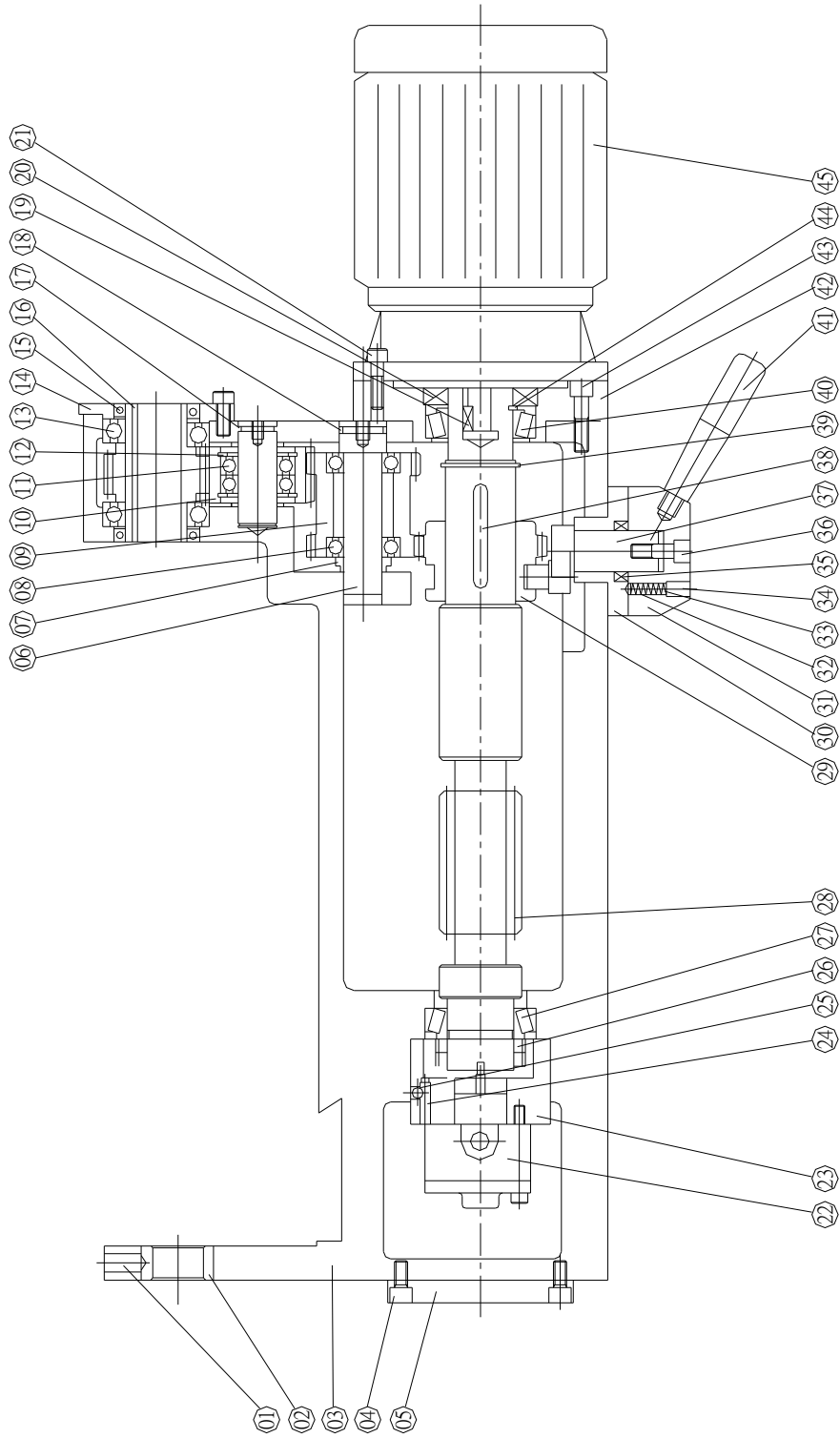
APRON



APRON				
REF NO.	PART NO.	DESCRIPTION	PARTS NAME	Q'TY
01	HL- 4043	NUT		1
02		SCREW	M12	1
03		NUT	M12	1
04	HL- 4038	FORK		1
05	HL- 4037	SHAFT		1
06		BEARING	6005	1
07	HL- 4012	GEAR		1
08		BEARING	6006	2
09	HL- 4011	SHAFT		1
10		SNAP RING	S30	2
11		SNAP RING	R55	2
12	HL- 4005	GEAR		1
13		BEARING	6206	1
14		SPRING WASHER	STW35	1
15	HL- 4004	SHAFT		1
16		BEARING	6006	2
17	HL- 4007	CLUTCH GEAR		1
18	HL- 4002	GEAR-SHAFT		1
19		BEARING	RNA4908	1
20	HL- 4033	NUT		1
21	HL- 4001	APRON		1
22		SCREW	M8	4
23	HL- 4035	PAPER		1
24		PIN	ø10	2
25	HL- 4032	SHAFT		1
26		OIL SEAL	TC30428	1

APRON				
REF NO.	PART NO.	DESCRIPTION	PARTS NAME	Q'TY
27		BALL	M8	1
28		SCREW	M8	2
29	HL- 4042	COVER		2
30		SCREW	M6	6
31		KEY	8 x 7 x 30	1
32	HL- 4026	GEAR		1
33		BEARING	6206	2
34		SCREW	M8	2
35	HL- 4027	COVER		1
36	HL- 4028	GRADUATION		1
37		SCREW	M8	3
38	HL- 4029	HANDLE WHEEL		1
39		HANDLE	ø25	1
40		OIL SEAL	TC30428	1
41	HL- 4030	HANDLE		1
42	HL- 4031	ROCKER ARM		1
43		SCREW	M8	1
44		SPRING	M8	1
45		SET SCREW	M10	1
46	HL- 2072	HANDLE		1
47		SCREW	M8	2
48		BEARING	6005	1
49		OIL SEAL	TC253507	1
50		SCREW	M8	1
51		SPRING	M8	1
52		SCREW	M10	1

APRON



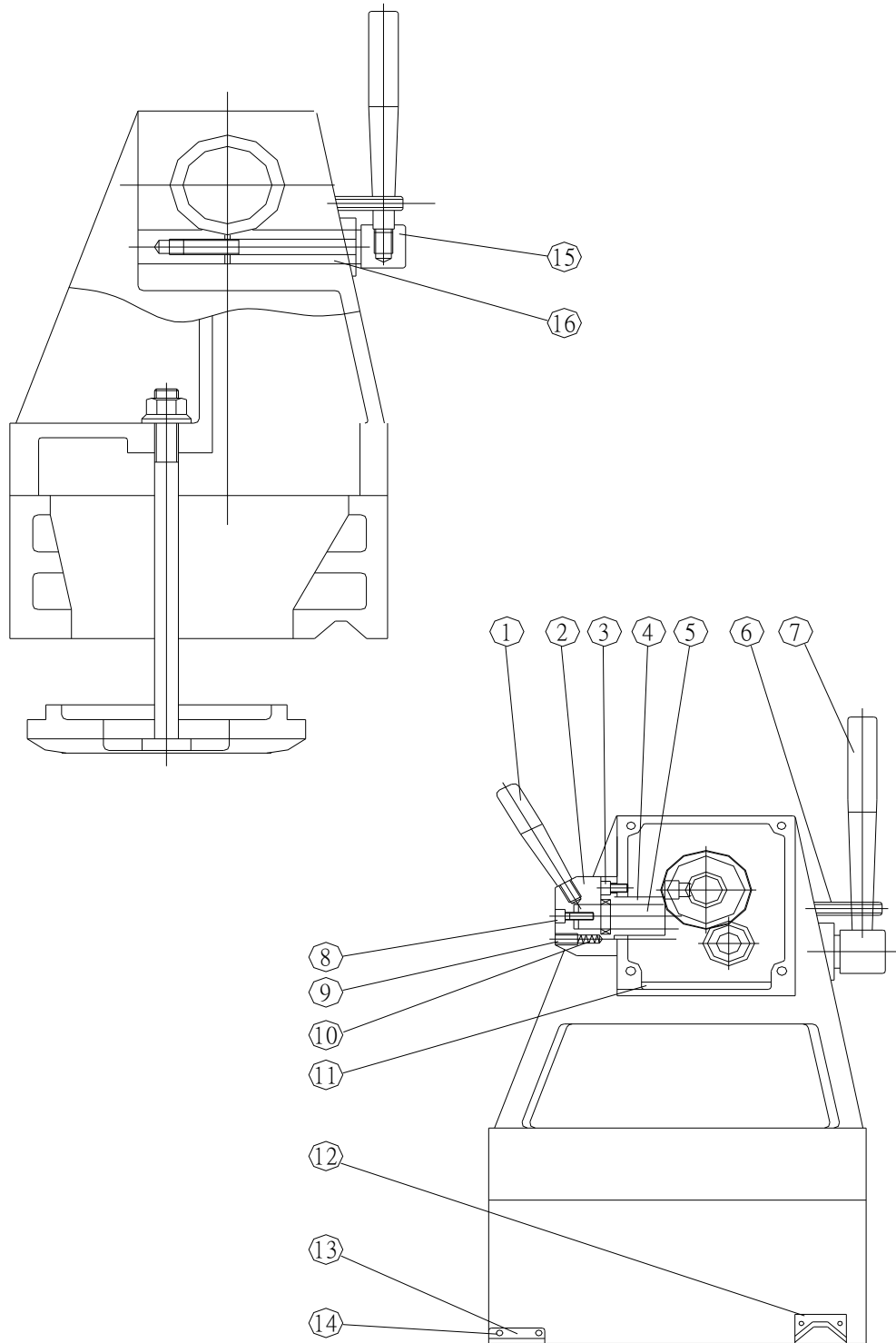
APRON				
REF NO.	PART NO.	DESCRIPTION	PARTS NAME	Q'TY
01		SCREW	M10	1
02	HL- 4015	BUSHING		1
03	HL- 4001	APRON		1
04		SCREW	M8	2
05	HL- 4025	COVER		1
06	HL- 4018	SHAFT-F		1
07	HL- 4020	COLLAR		1
08		BEARING	6005	2
09	HL- 4019	GEAR		1
10	HL- 4017	GEAR		1
11		BEARING	6005	2
12		SNAP RING	R47	2
13		BEARING	6008	2
14	HL- 4014	COVER		1
15		OIL SEAL	TC40558	2
16	HL- 4013	GEAR		1
17		O-RING	P21	1
18		O-RING	G25	1
19		KEY	5 x 5 x 15L	1
20		OIL SEAL	TC40708	1
21		SCREW	M8	4
22		PUMP	AM2	1
23	HL- 4023	PUMP		1
24		SET SCREW	M6	1
25		BALL	M8	1
26		NUT	AN08	2

APRON				
REF NO.	PART NO.	DESCRIPTION	PARTS NAME	Q'TY
27		TAPER ROLL	32008	1
28	HL- 4021	STICK		1
29	HL- 4022	GEAR		1
30	HL- 4040	BUSHING		1
31	HL- 2037	ROCKER ARM		1
32		BALL	M8	1
33		SPRING	M8	1
34		SCREW	M10	1
35		OIL SEAL	TC25357	1
36		SCREW	M8	1
37	HL- 4041	SHAFT		1
38		KEY	8 x 7 x 65L	1
39		SNAP RING	S42	1
40		TAPER ROLL	32008	1
41	HL- 2072	HANDLE		1
42	HL- 4024	COVER		1
43		SCREW	M8	4
44		SNAP RING	S40	1
45		MOTOR	1 / 8HP	1

TAILSTOCK				
REF NO.	PART NO.	DESCRIPTION	PARTS NAME	Q'TY
01		CENTER	MT#6	1
02		OIL SEAL	TC-10513013	1
03	HL- 7019	T-KEY		1
04		OILER	3 / 8"	1
05	HL- 7004	BARREL		1
06	HL- 7005	NUT		1
07		SCREW	M8	3
08	HL- 7009	LEAD SCREW		1
09		BEARING	51106	2
10	HL- 7008	COVER		1
11		NUT	AN06	2
12		KEY	5 x 5 x 16L	1
13	HL- 7010	GEAR		1
14		KEY	5 x 5 x 50L	1
15	HL- 7012	GEAR		1
16		BEARING	6005RS	1
17	HL- 7011	SHAFT		1
18	HL- 7014	HANDLE WHEEL		1
19	HL- 5064	WASHER		1
20		SCREW	M8	1
21		SCREW	M8	4
22	HL- 7016	SHAFT		1
23	HL- 7017	GEAR		1
24	HL- 7007	COVER		1
25	HL- 7006	GEAR BOX		1
26	HL- 7013	BRACKET		1

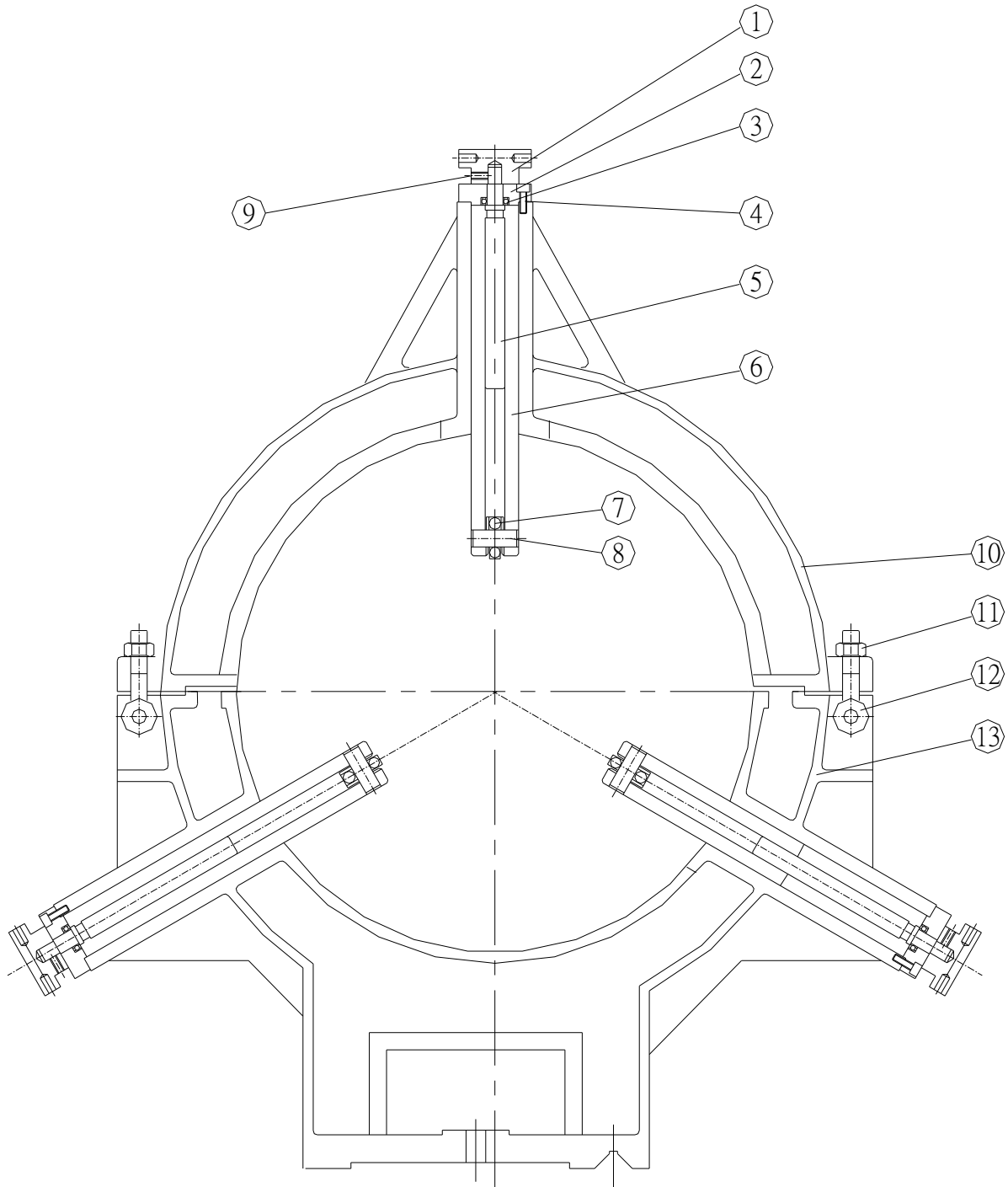
TAILSTOCK				
REF NO.	PART NO.	DESCRIPTION	PARTS NAME	Q'TY
27		SCREW	M8	2
28		SET SCREW	M10	1
29	HL- 7015	INDEX RING		1
30		KEY	5 x 5 x 25L	1
31		HANDLE		1
32	HL- 7026	NUT		2
33	HL- 7025	BOLT		2
34	HL- 7024	CLAMP		2
35		SET SCREW	M16	1
36	HL- 7003	GIB		1
37	HL- 7002	BASE		1
38	HL- 7001	CASTING		1
39	HL- 7029	BRACKET		1
40	HL- 7032	PIN		1
41	HL- 7030	BRACKET		1
42	HL- 7031	GEAR		1
43	HL- 7033	LEVER		1

TAILSTOCK CONTROLS



TAILSTOCK				
REF NO.	PART NO.	DESCRIPTION	PARTS NAME	Q'TY
0 1	HL- 2056	HANDLE		1
0 2	HL- 2073	LEVER BOSS		1
0 3		SCREW	M8	2
0 4	HL- 2074	BUSH		1
0 5	HL- 7018	LEVER		1
0 6	HL- 7023	SCREW		1
0 7	HL- 7022	HANDLE		1
0 8		SCREW	M8	1
0 9		SET SCREW	M10	1
1 0		STEEL BALL	ø8	1
1 1	HL- 7007	COVER		1
1 2	HL- 7028	WIPER		2
1 3	HL- 7027	WIPER		2
1 4		SCREW	M5	8
1 5	HL-7021	STUD		1
1 6	HL- 7020	BUSH & NUT		1

STEADY REST



FOLLOW REST

