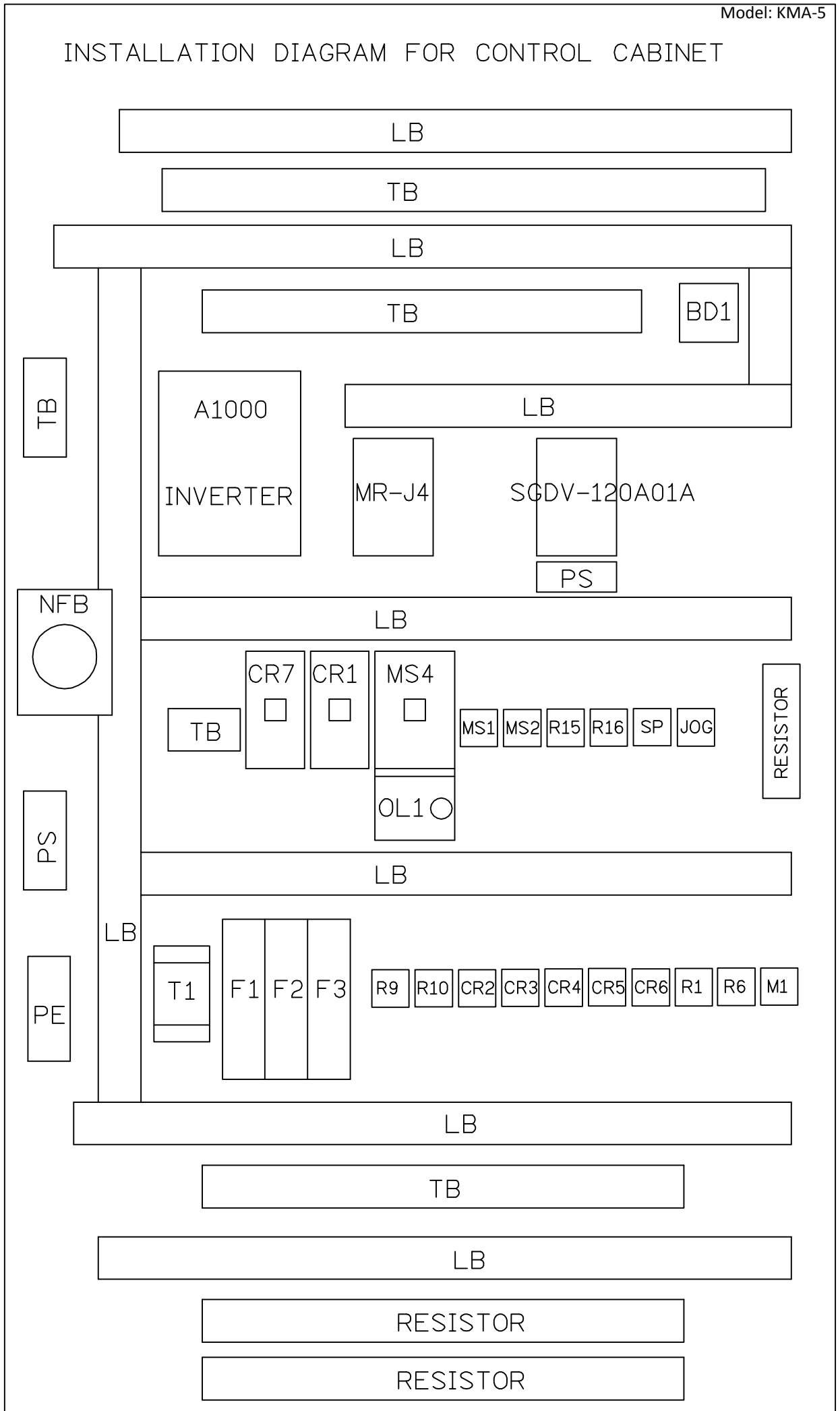
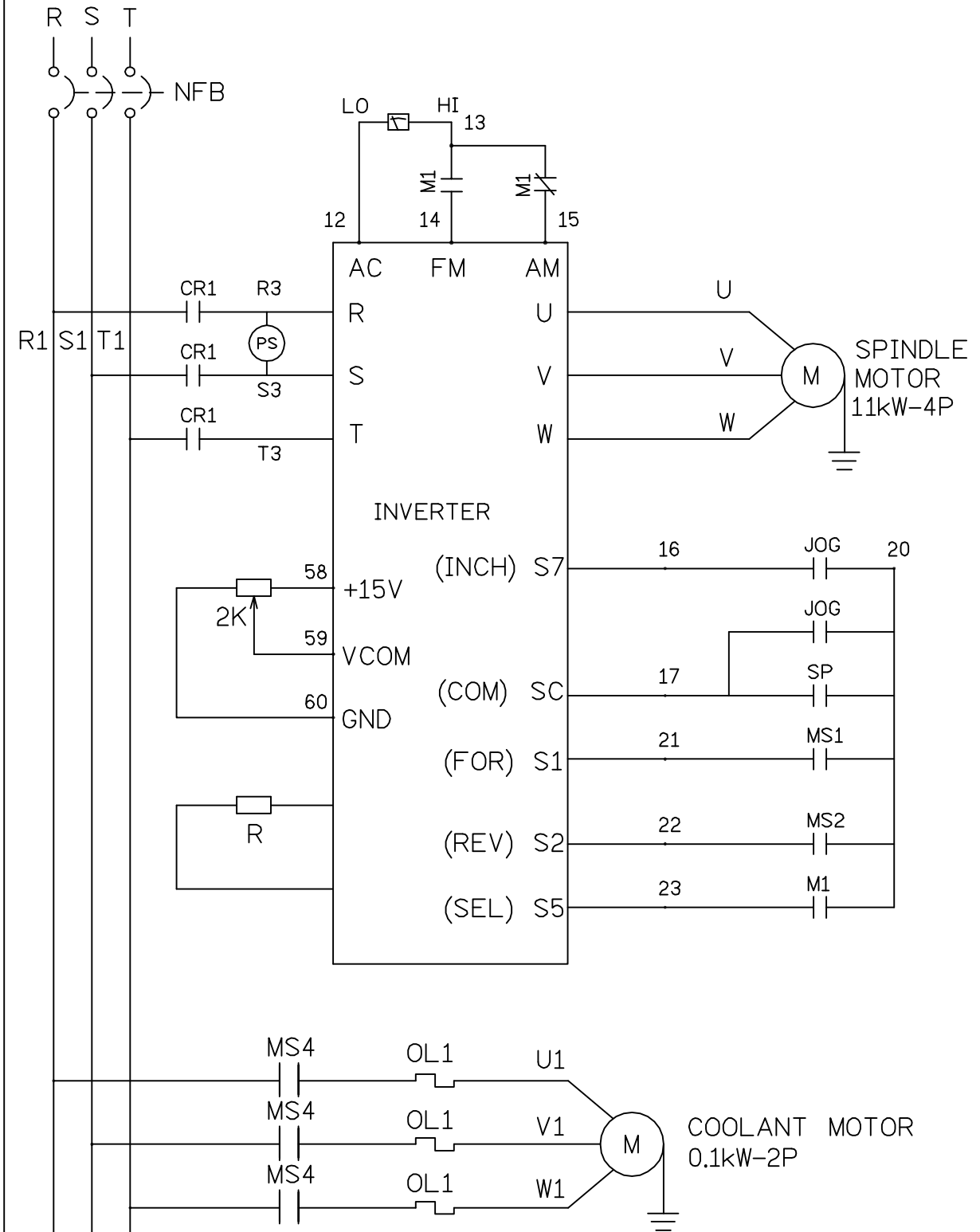
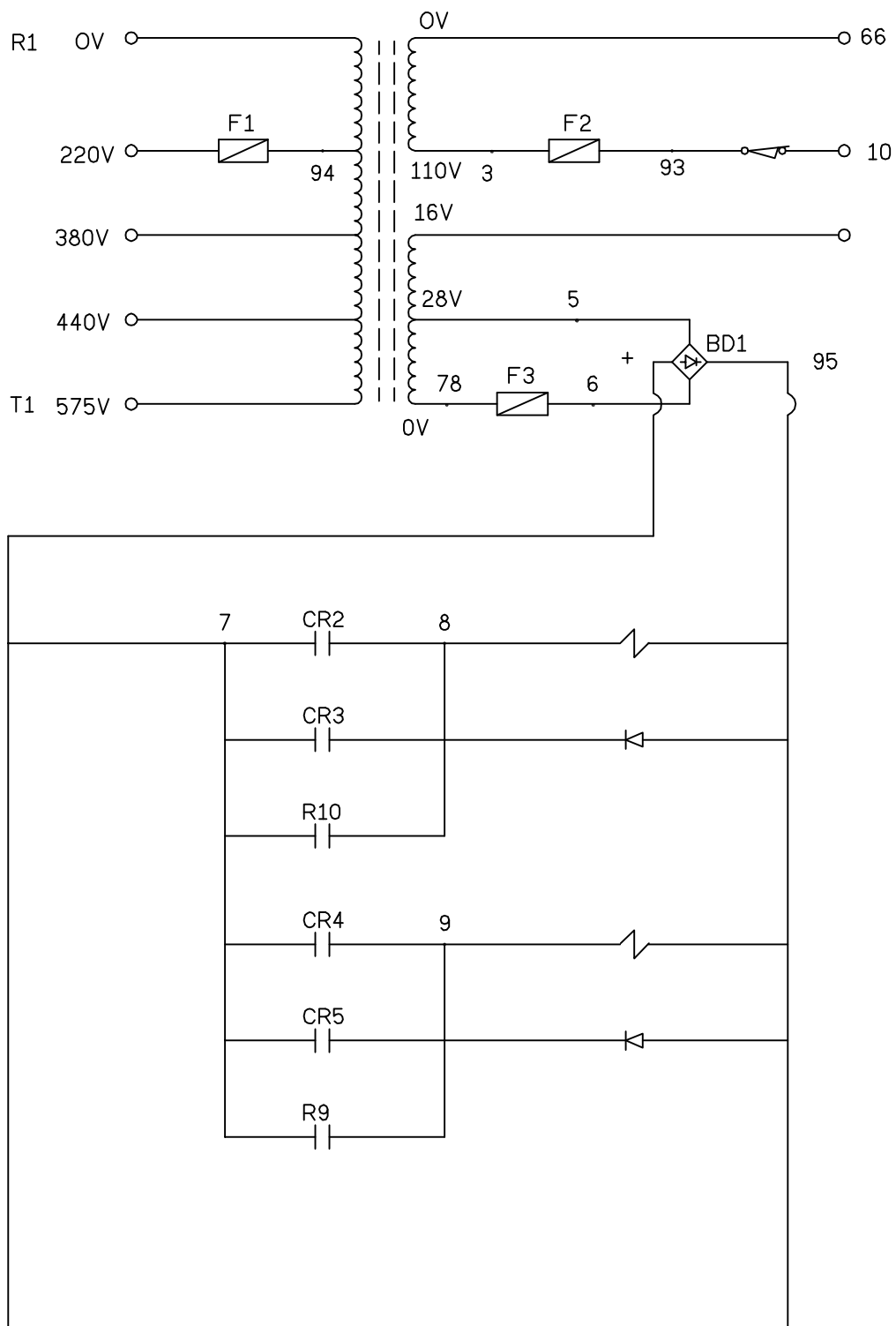
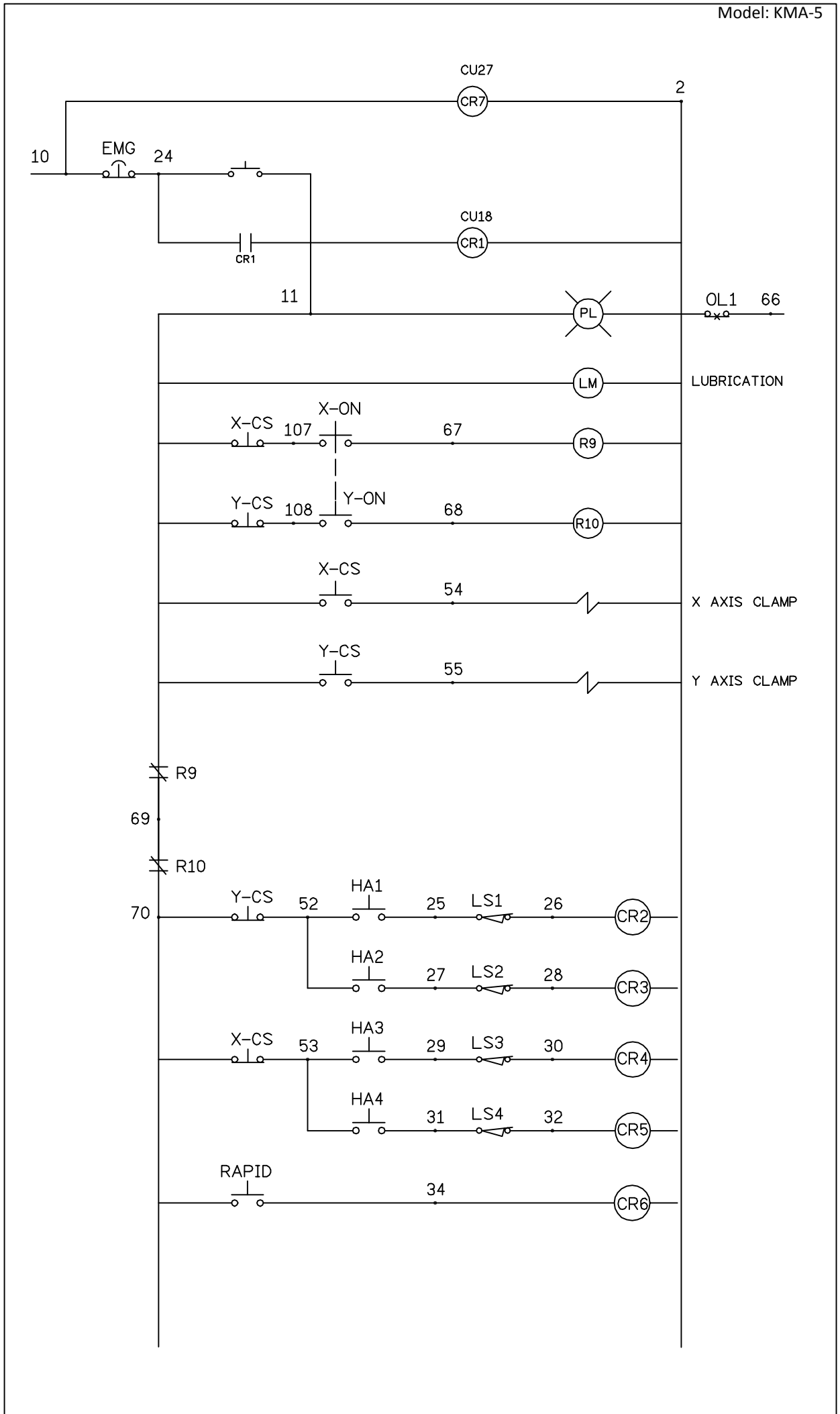


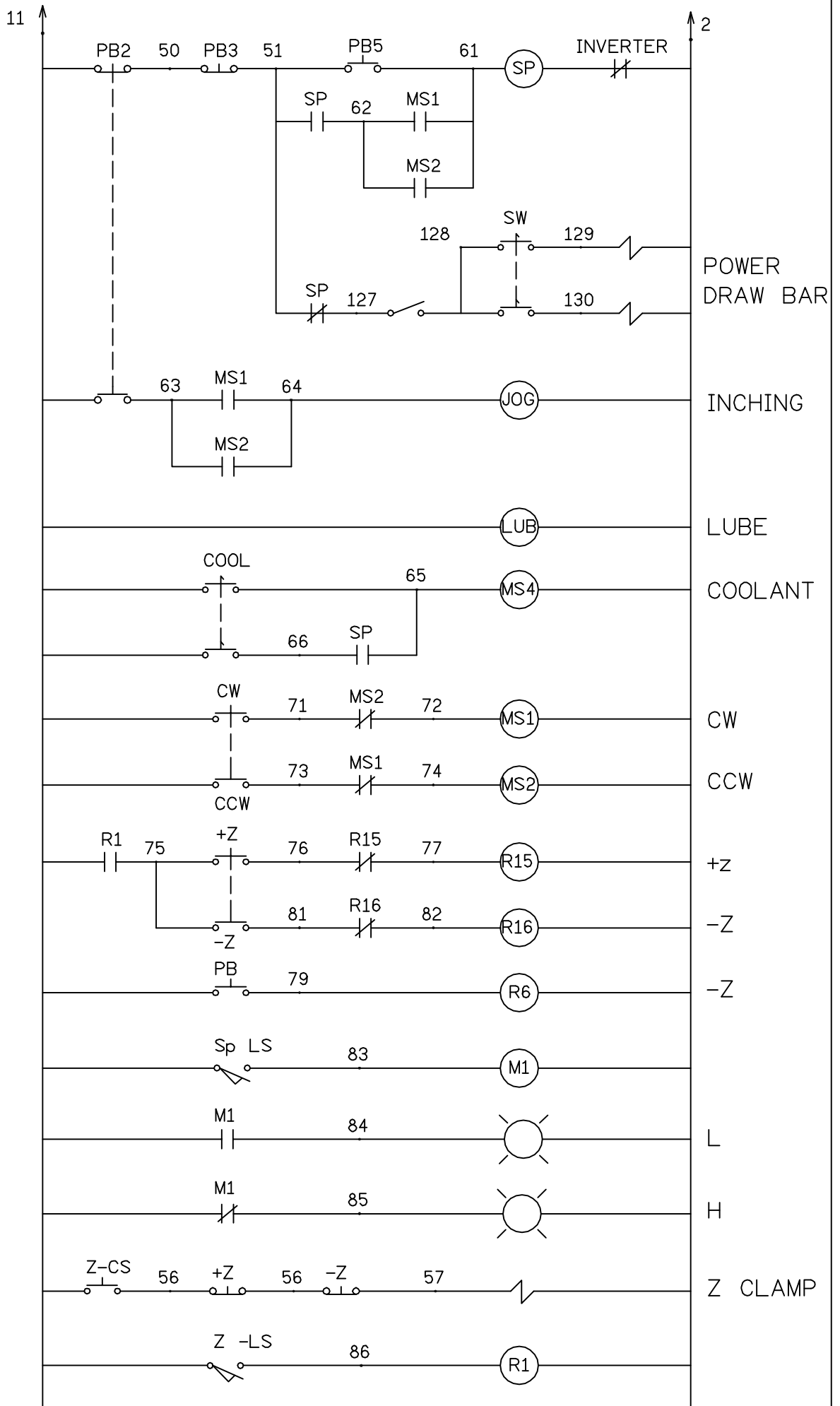
INSTALLATION DIAGRAM FOR CONTROL CABINET







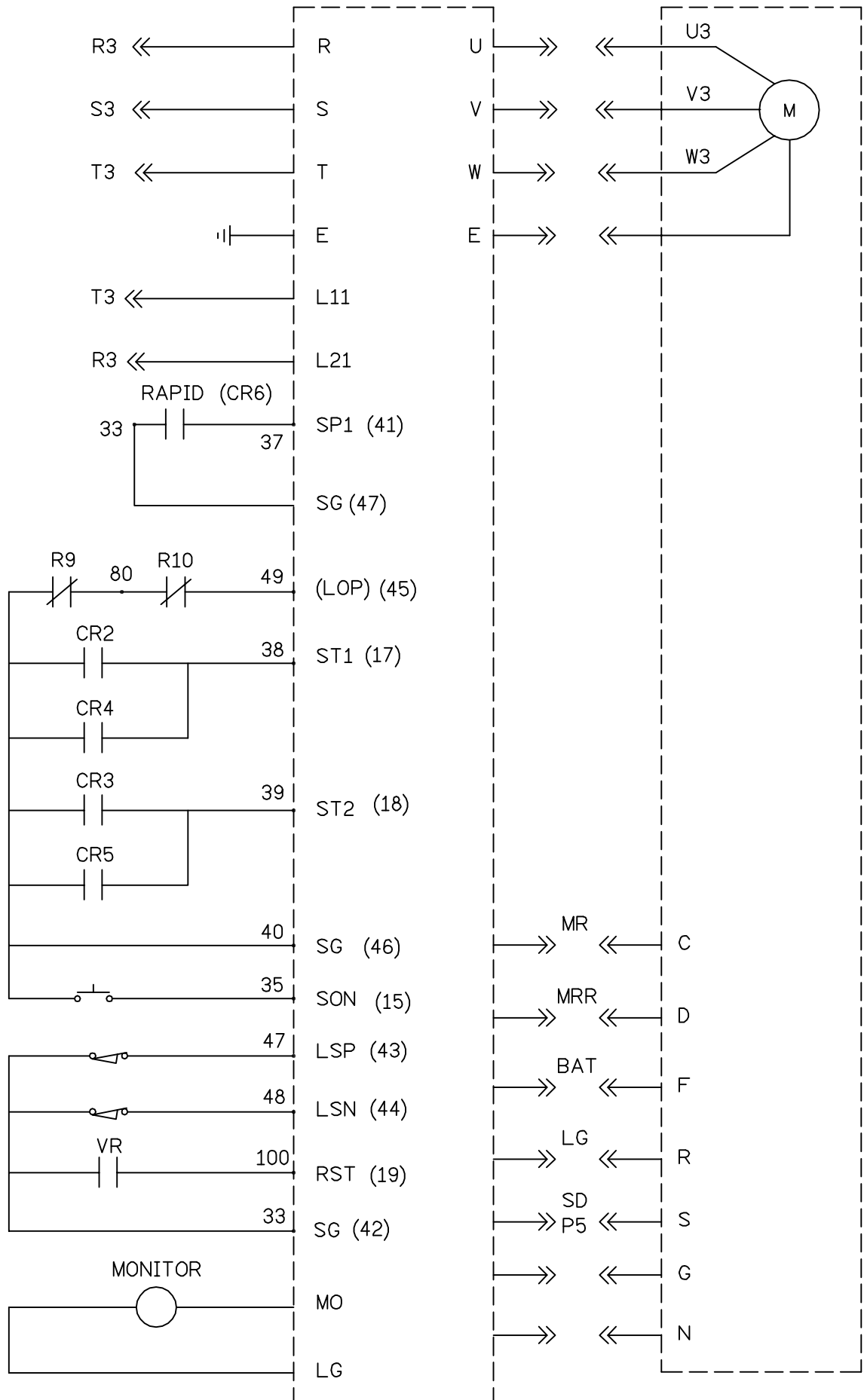




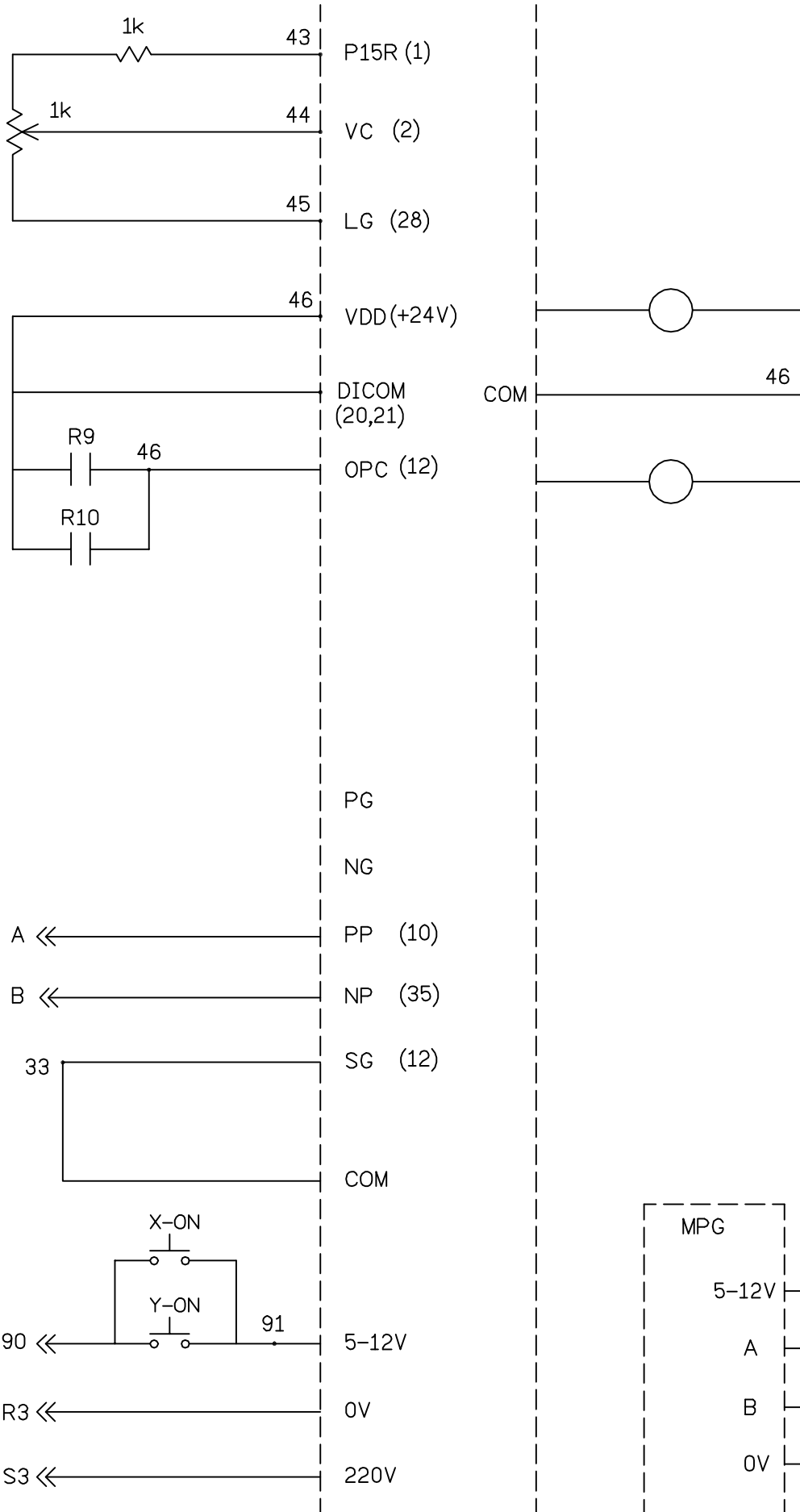
MR-J4
(X & Y AXIS)

AMP(CN1)

MOTOR



MR-J4
(X & Y AXIS)



SGDV-120A01A

