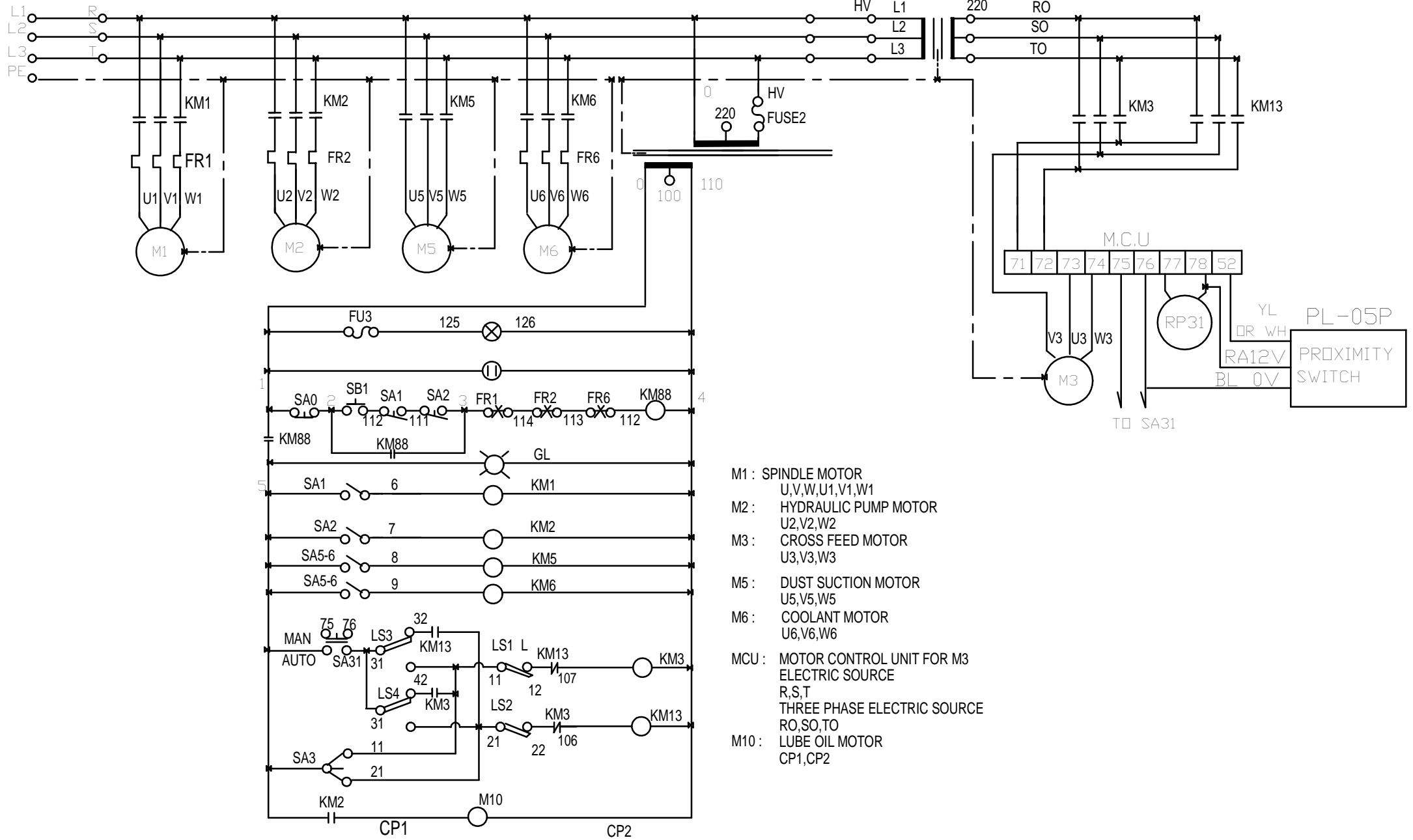


GSP308P

100.12.26



- M1 : SPINDLE MOTOR
U,V,W,U1,V1,W1
- M2 : HYDRAULIC PUMP MOTOR
U2,V2,W2
- M3 : CROSS FEED MOTOR
U3,V3,W3
- M5 : DUST SUCTION MOTOR
U5,V5,W5
- M6 : COOLANT MOTOR
U6,V6,W6
- MCU : MOTOR CONTROL UNIT FOR M3
ELECTRIC SOURCE
R,S,T
THREE PHASE ELECTRIC SOURCE
- M10 : LUBE OIL MOTOR
CP1,CP2

-LS 1	
11	12

-LS 4	
31	21
31	42

-LS 3	
31	11
31	32

-LS 2	
21	22

