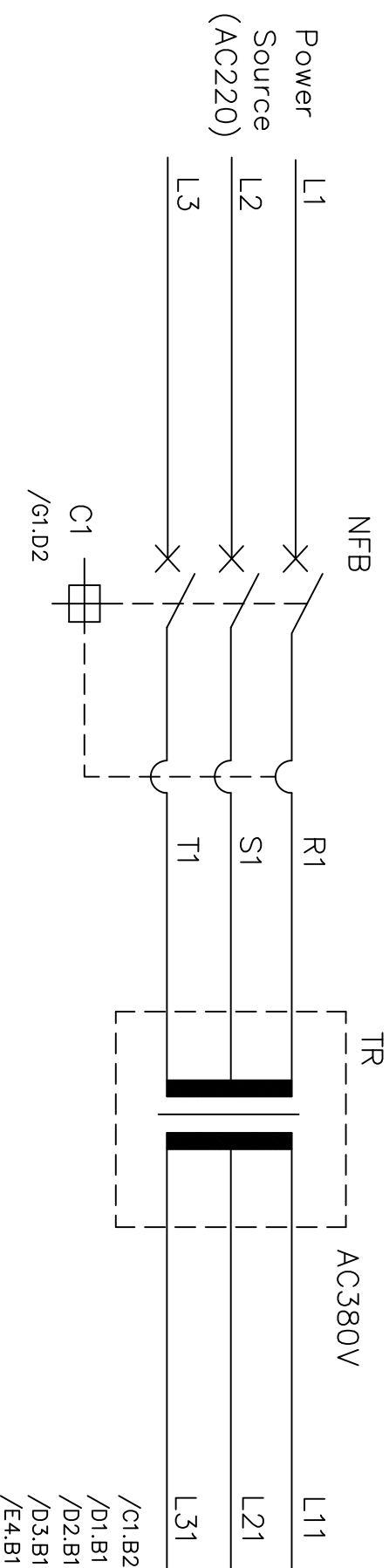


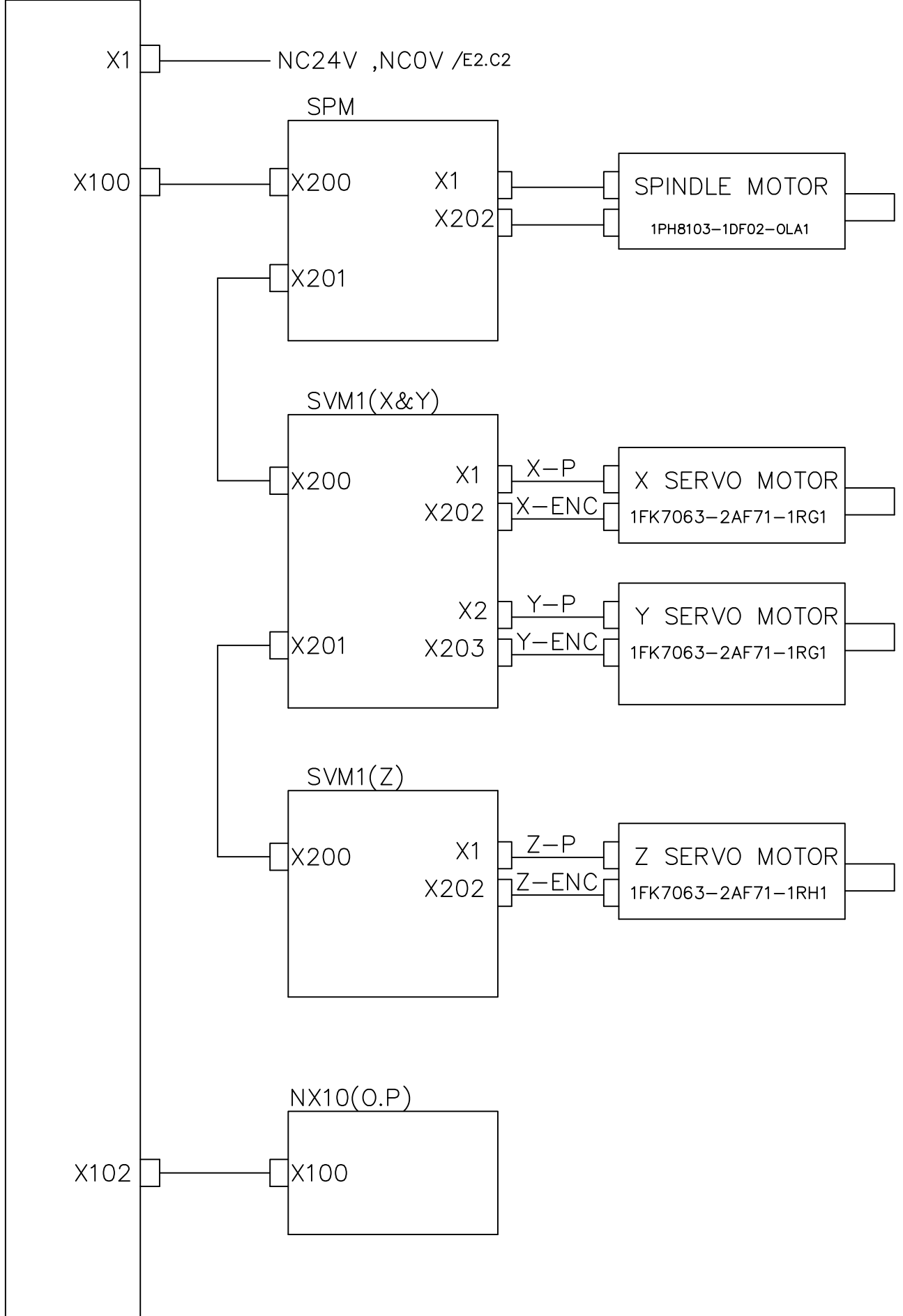
SV-6332SX/SV-4328SX/SVL-2416/SV-2414 Siemens ELECTRICAL WIRING DIAGRAM



- /C1.B2
- /D1.B1
- /D2.B1
- /D3.B1
- /E4.B1

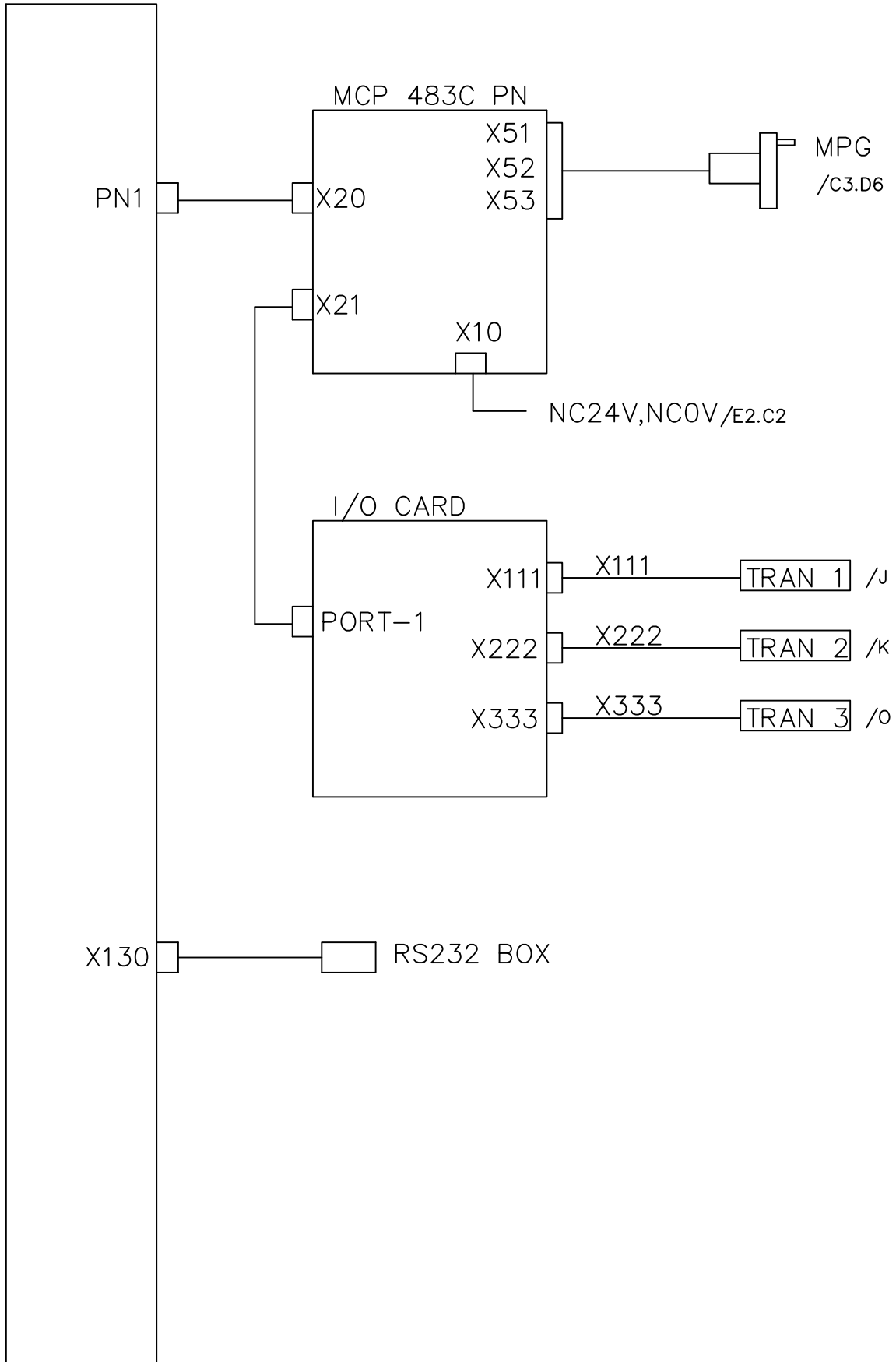
PART NO.		凱鋒工業股份有限公司		PAGE	
SK-SVL2416-S-A1		SV-6332SX/SV-4328SX SVL-2416/SV-2414		A1	

828D CNC Cotroller



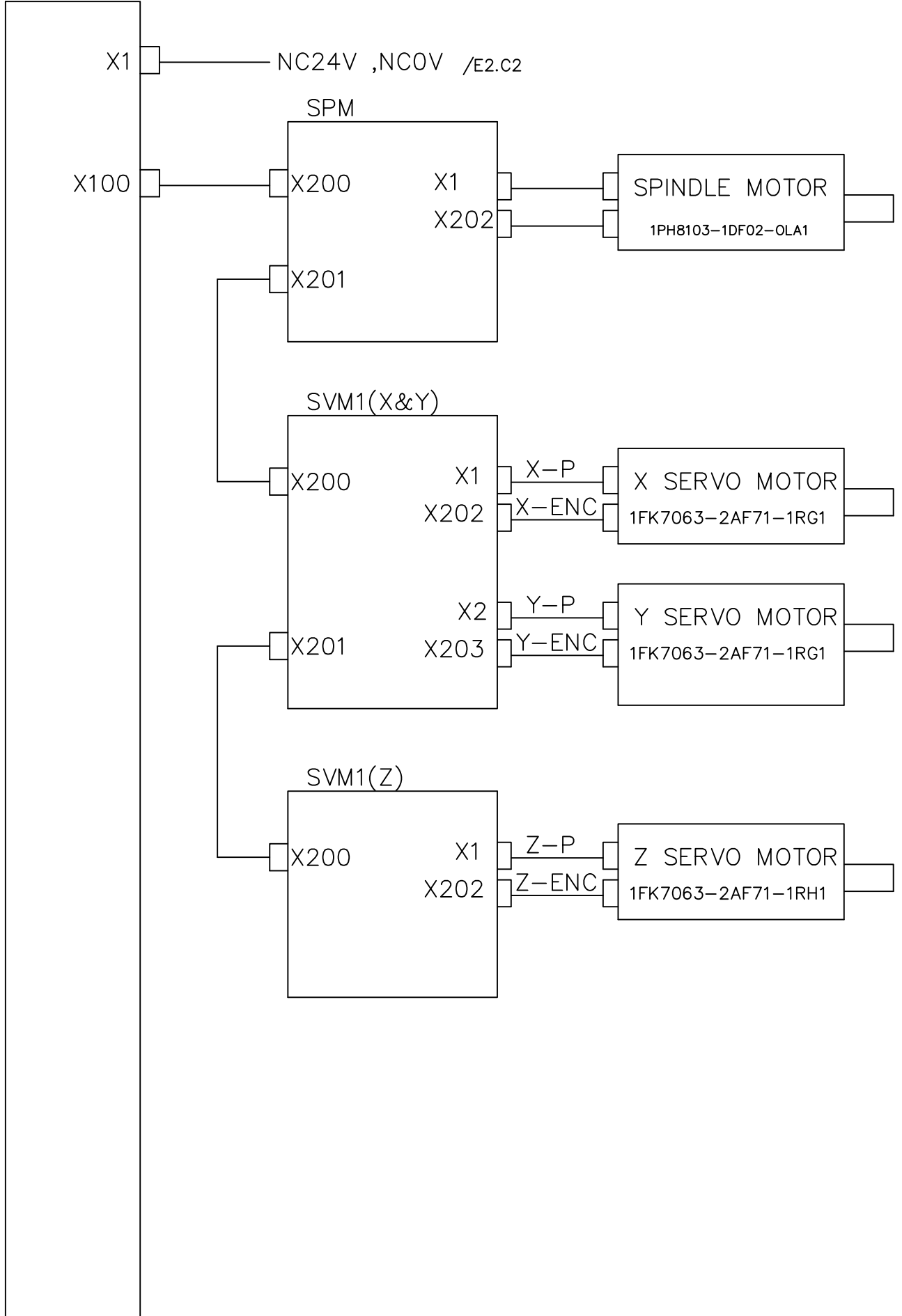
PART NO.	SK-SVL2416-S-B1
SV-6332SX/SV-4328SX SVL-2416/SV-2414	凱鋒工業股份有限公司
PAGE	B1

828D CNC Cotroller



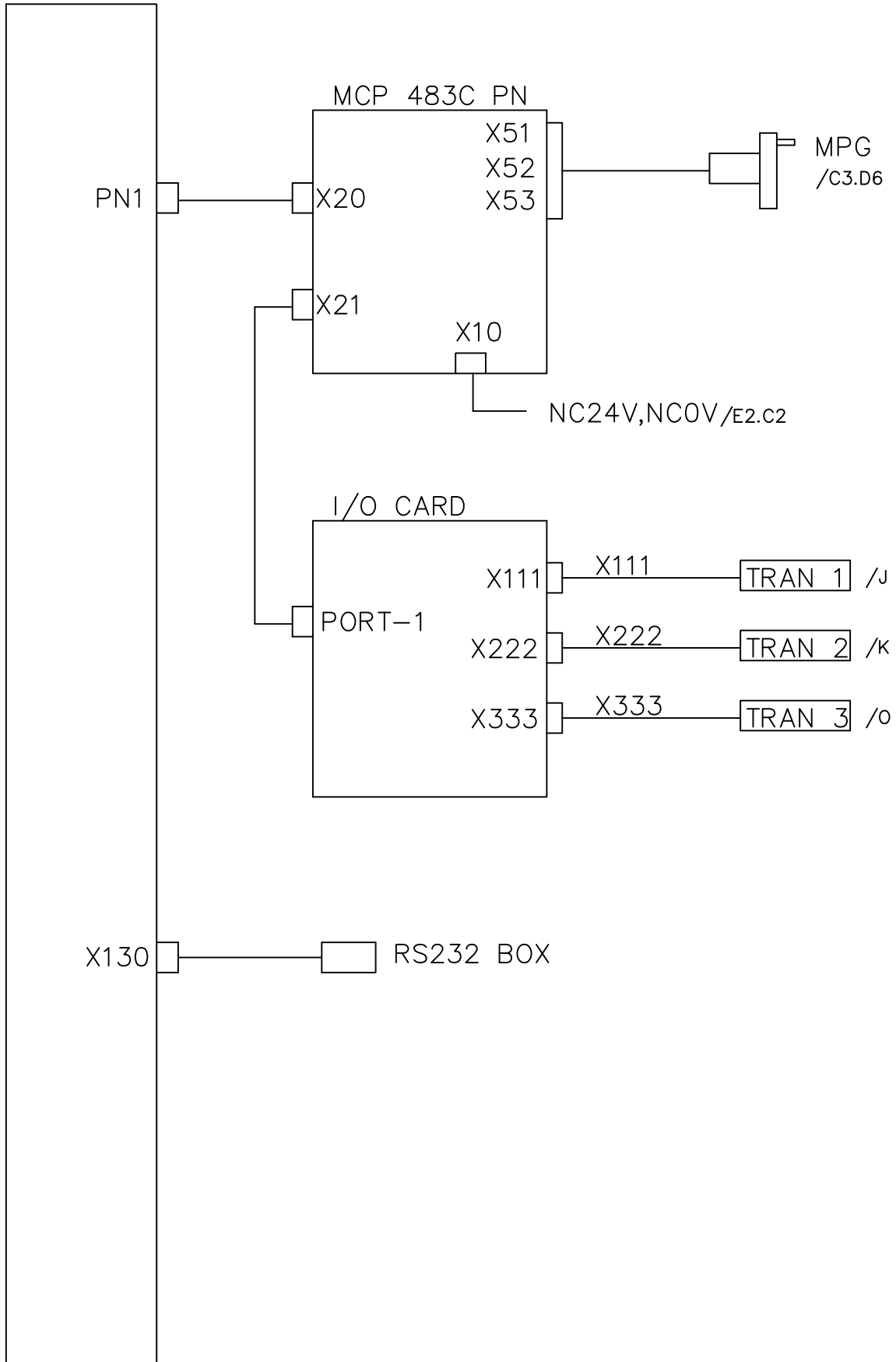
PART NO.		凱鋒工業股份有限公司 SV-6332SX/SV-4328SX SVL-2416/SV-2414	PAGE
SK-SVL2416-S-B2			

828D BASIC-M CNC Cotroller



PART NO.	SK-SVL2416-S-B3
凱鋒工業股份有限公司	SV-6332SX/SV-4328SX
	SVL-2416/SV-2414
PAGE	B3

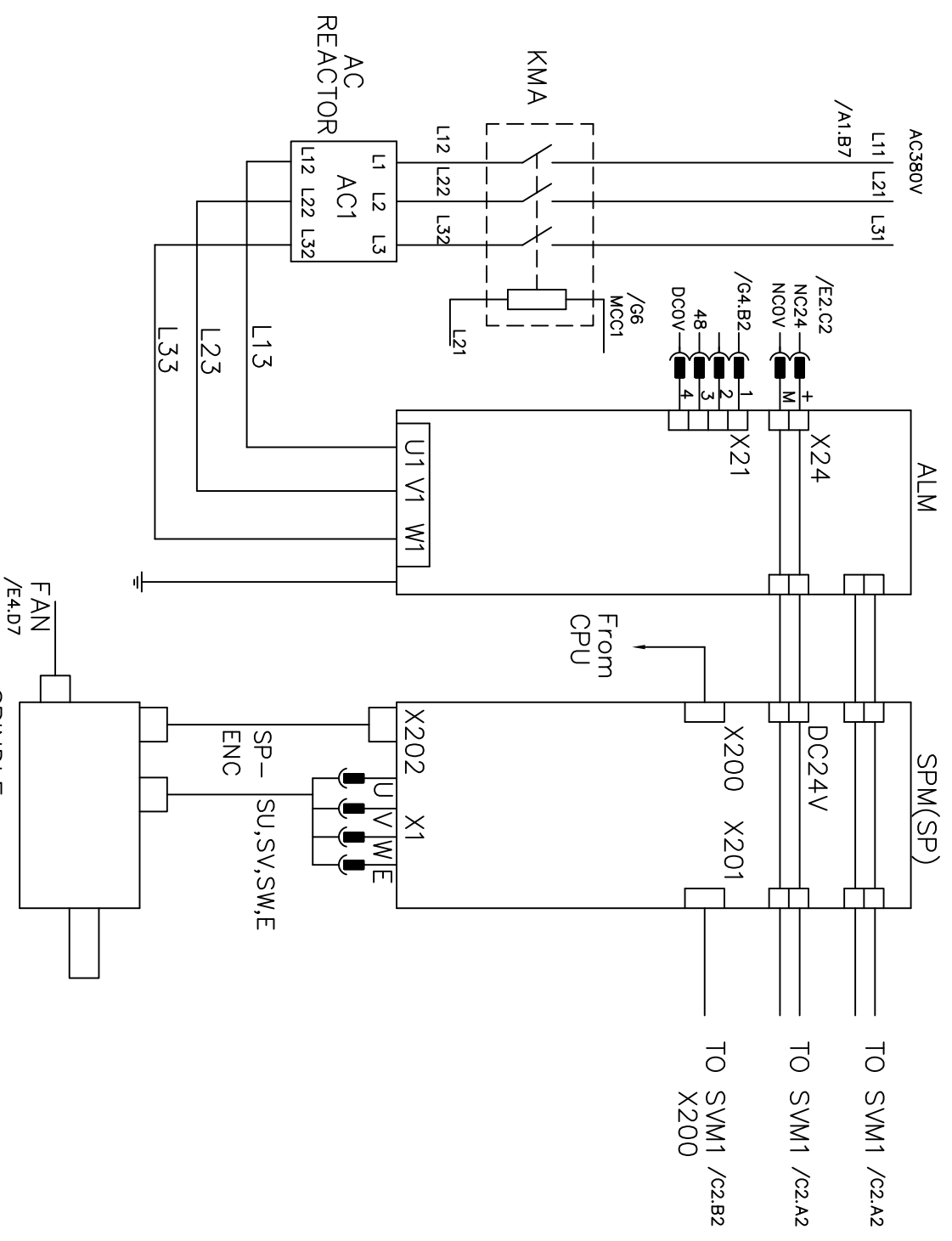
828D BASIC-M CNC Cotroller



PART NO.	SK-SVL2416-S-B4
凱鋒工業股份有限公司	SV-6332SX/SV-4328SX
	SVL-2416/SV-2414
PAGE	B4

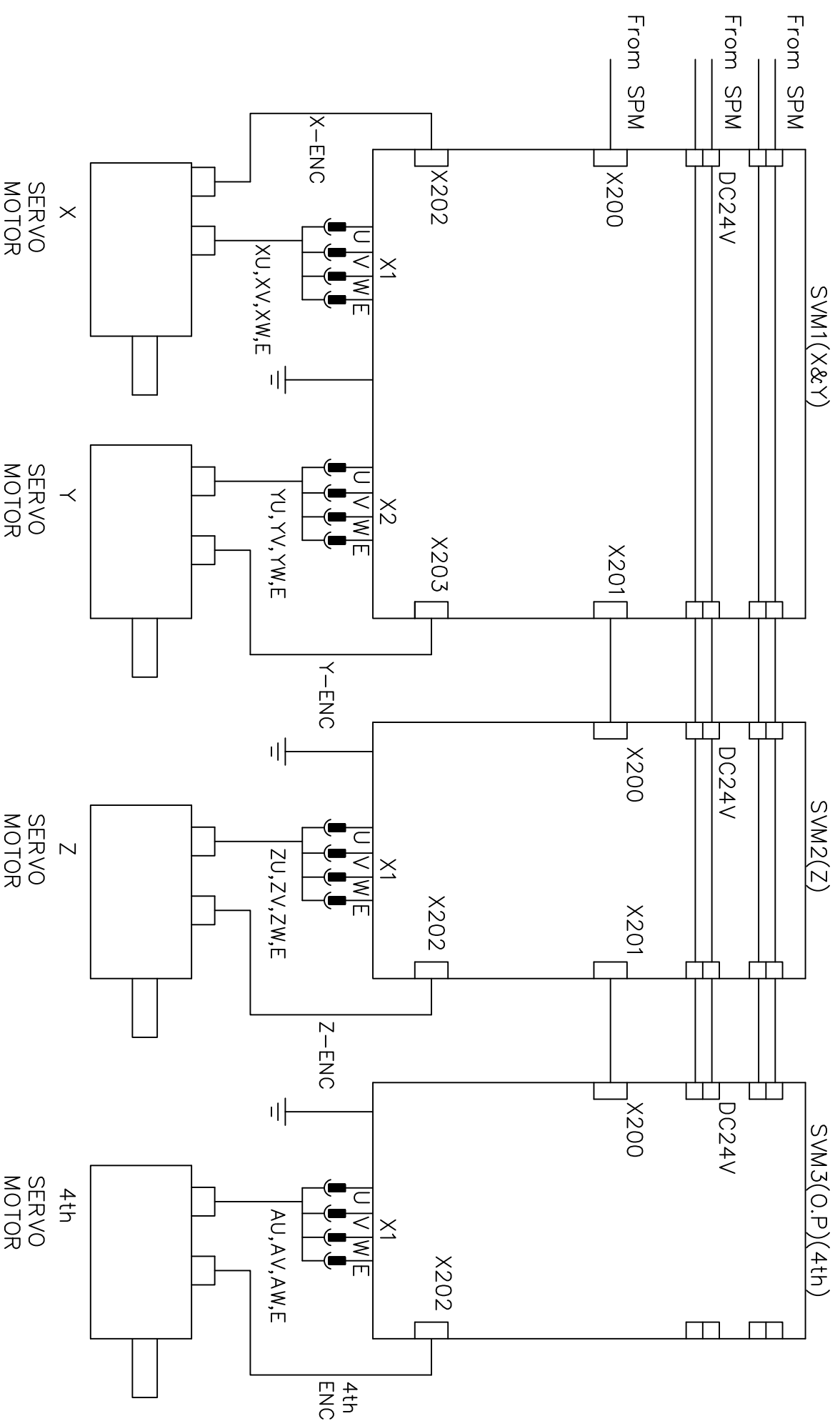
Grid coordinates: X-axis (A-F), Y-axis (1-8)

SV-6332SX/SV-4328SX/SVL-2416/SV-2414 Siemens ELECTRICAL WIRING DIAGRAM



PART NO.	SK-SVL2416-S-C1	凱鋒工業股份有限公司	PAGE	C1
		SV-6332SX/SV-4328SX		
		SVL-2416/SV-2414		

SV-6332SX/SV-4328SX/SVL-2416/SV-2414 Siemens ELECTRICAL WIRING DIAGRAM



X
SERVO
MOTOR

Y
SERVO
MOTOR

Z
SERVO
MOTOR

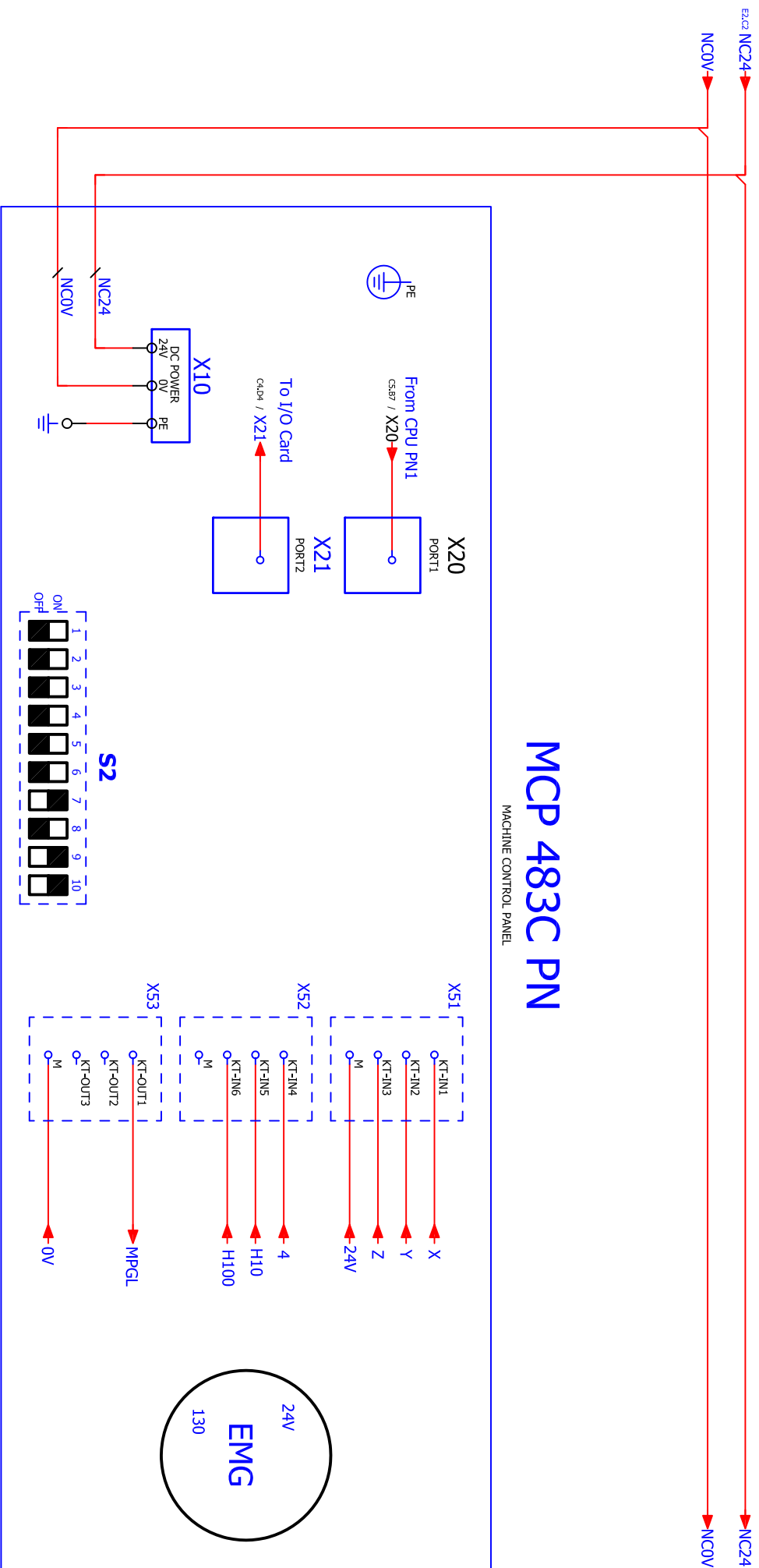
4th
SERVO
MOTOR

PART NO.	凱鋒工業股份有限公司	PAGE
SK-SVL2416-S-C2	SV-6332SX/SV-4328SX	C2
	SVL-2416/SV-2414	

SV-6332SX/SV-4328SX/SVL-2416/SV-2414 Siemens ELECTRICAL WIRING DIAGRAM

MCP 483C PN

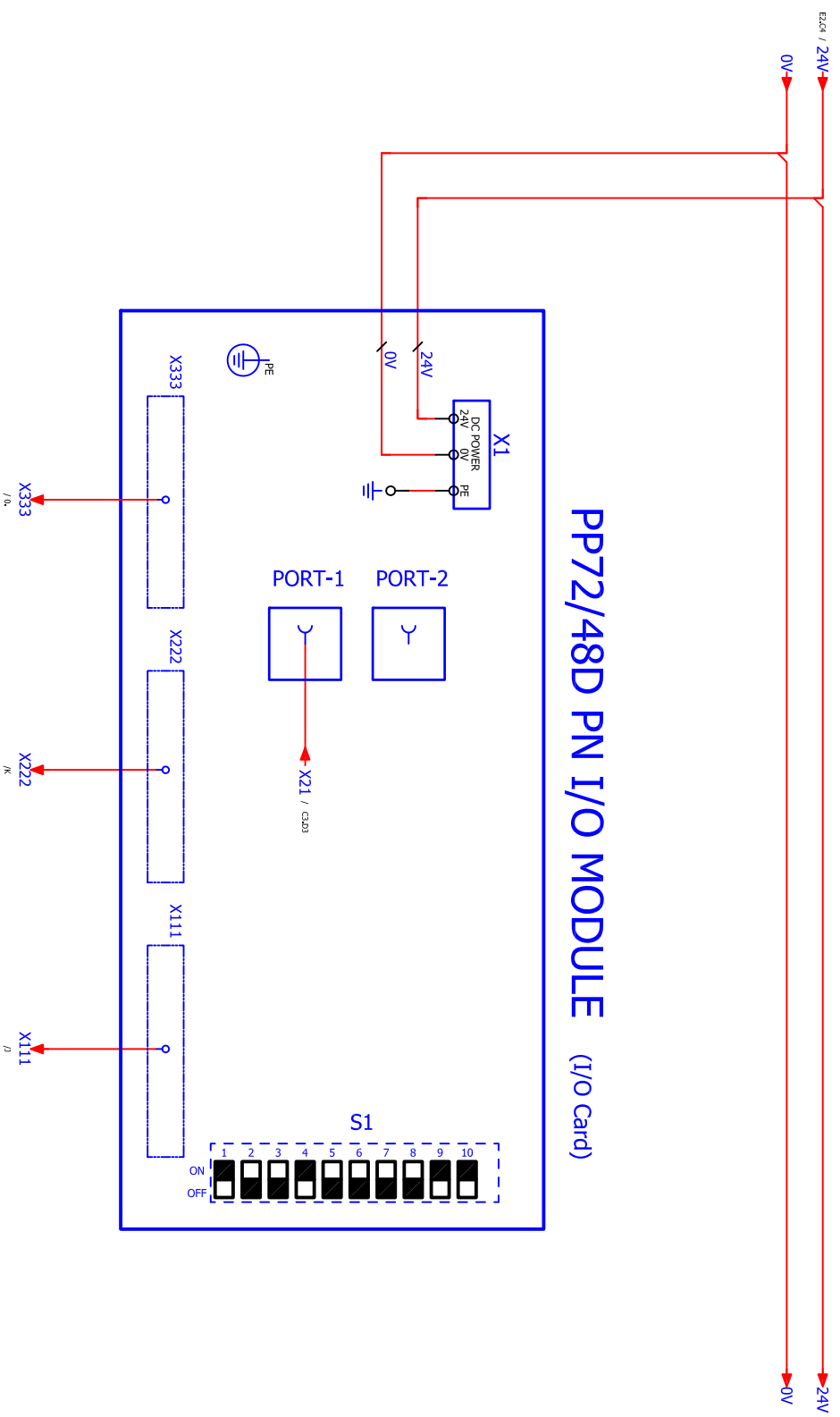
MACHINE CONTROL PANEL



PART NO.	SV-6332SX/SV-4328SX	PAGE
SK-SVL2416-S-C3	SVL-2416/SV-2414	C3

凱鋒工業股份有限公司

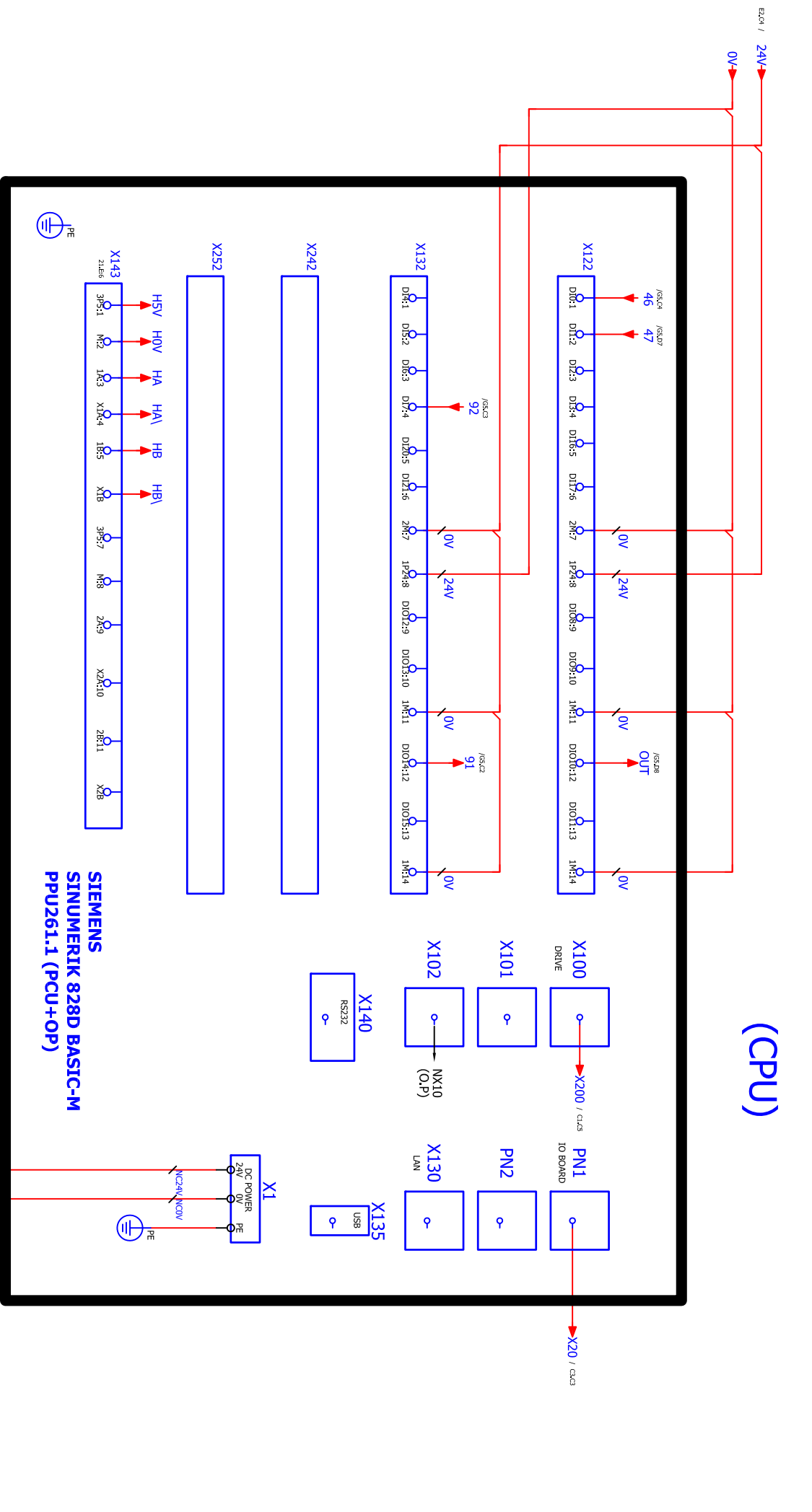
SV-6332SX/SV-4328SX/SVL-2416/SV-2414 Siemens ELECTRICAL WIRING DIAGRAM



PP72/48D PN I/O MODULE (I/O Card)

PART NO.	SK-SVL2416-S-C4	凱鋒工業股份有限公司	PAGE
		SV-6332SX/SV-4328SX	C4
		SVL-2416/SV-2414	

SV-6332SX/SV-4328SX/SVL-2416/SV-2414 Siemens ELECTRICAL WIRING DIAGRAM



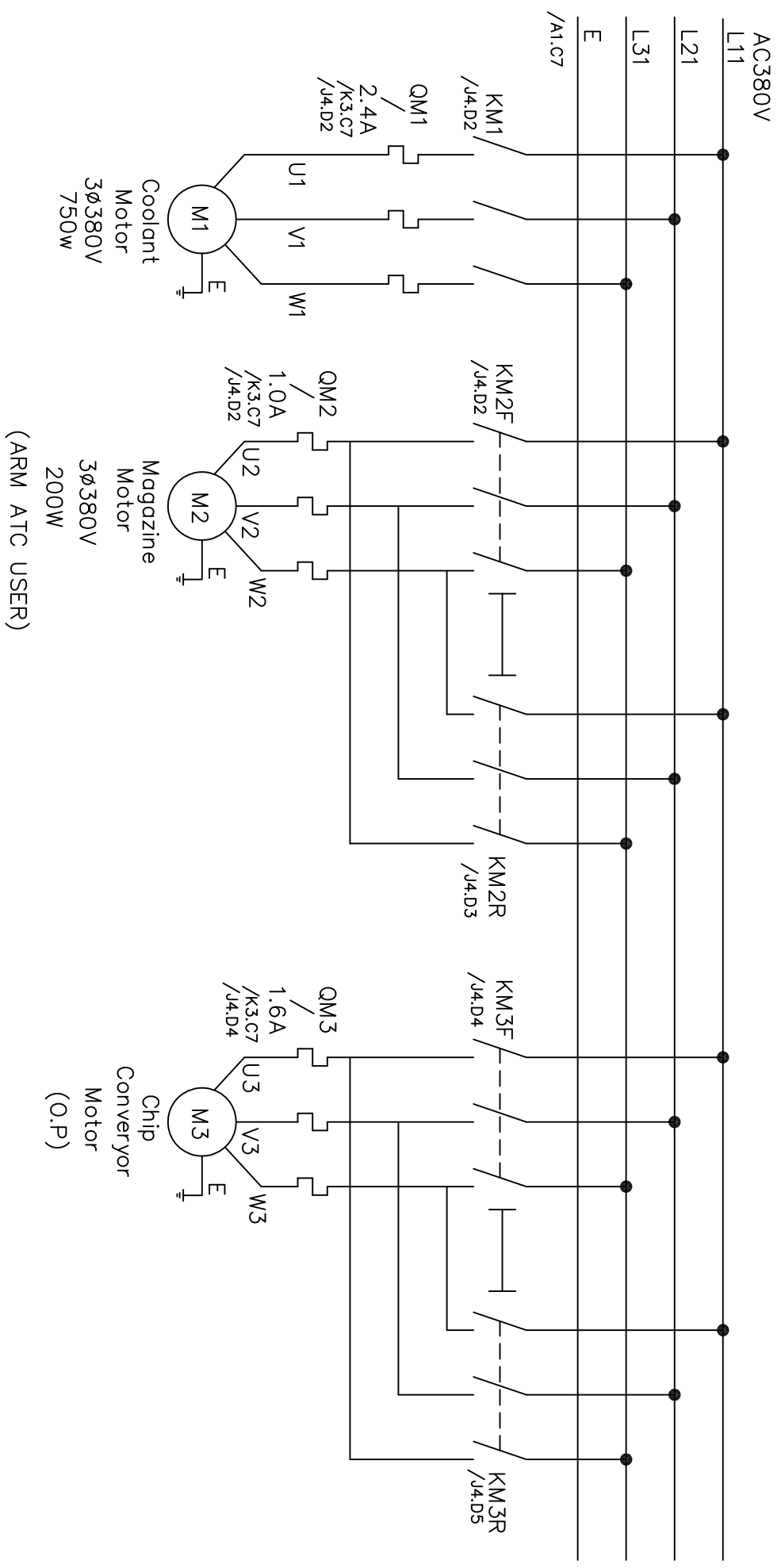
PART NO.	SK-SVL2416-S-C5	凱鋒工業股份有限公司	PAGE
		SV-6332SX/SV-4328SX	C5
		SVL-2416/SV-2414	

1 2 3 4 5 6 7 8

F E D C B A

F E D C B A

SV-6332SX/SV-4328SX/SVL-2416/SV-2414 Siemens ELECTRICAL WIRING DIAGRAM

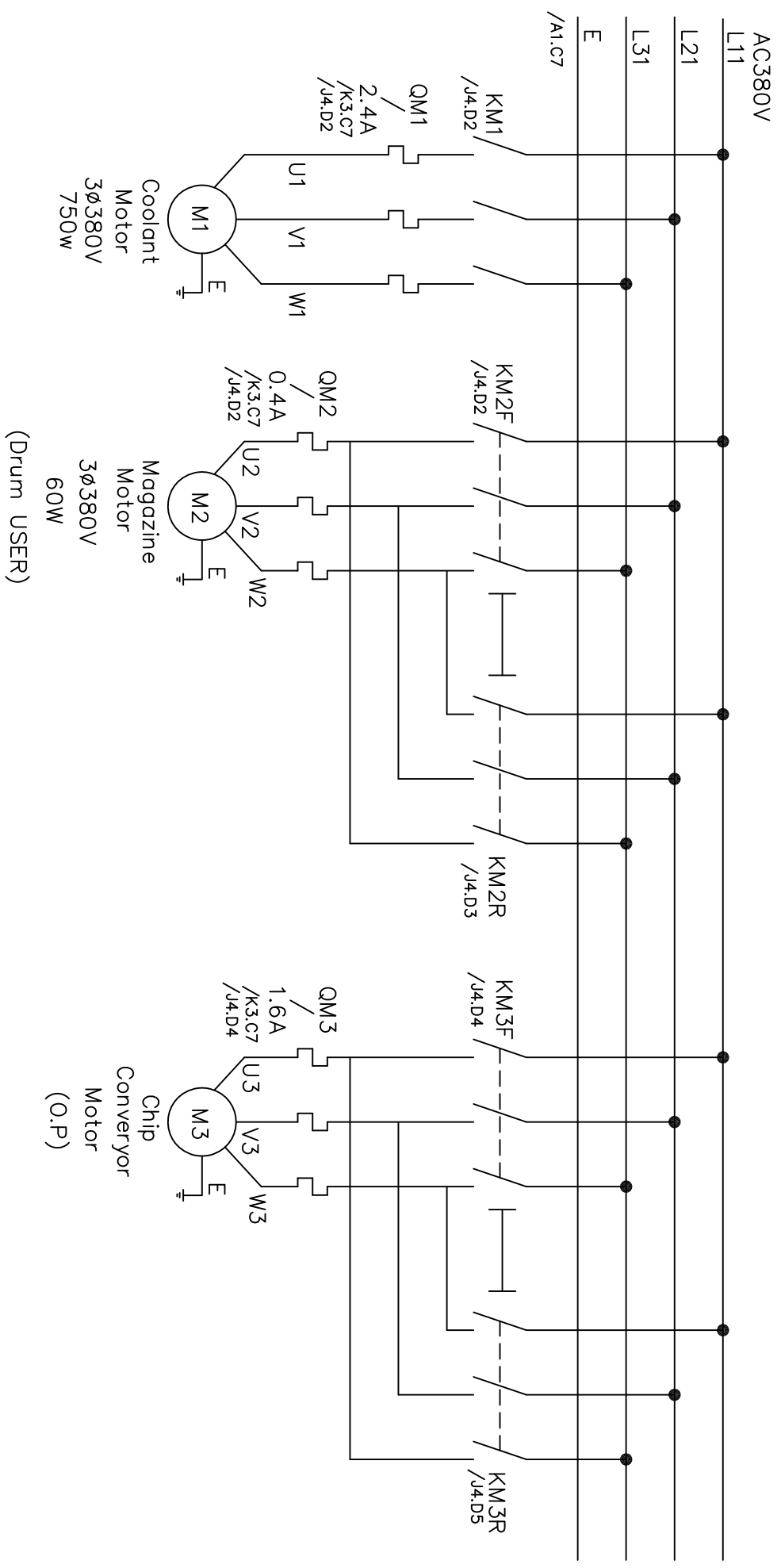


PART NO.		SK-SVL2416-S-D1	
SV-6332SX/SV-4328SX		SVL-2416/SV-2414	
PAGE		D1	

1 2 3 4 5 6 7 8

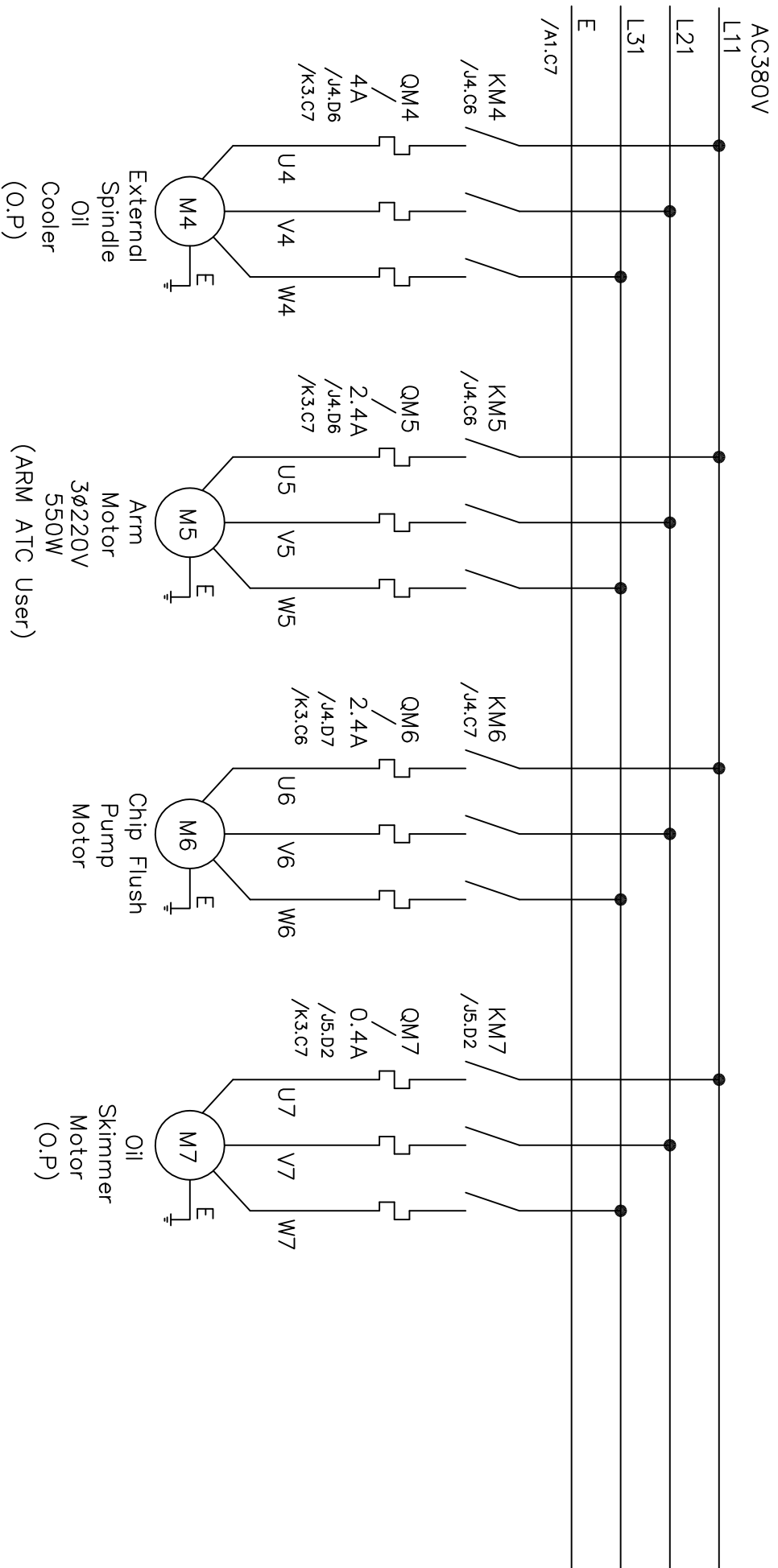
A B C D E F

SV-6332SX/SV-4328SX/SVL-2416/SV-2414 Siemens ELECTRICAL WIRING DIAGRAM



PART NO.	SK-SVL2416-S-D1-1	凱鋒工業股份有限公司 SV-6332SX/SV-4328SX SVL-2416/SV-2414	PAGE D1-1
----------	-------------------	---	--------------

SV-6332SX/SV-4328SX/SVL-2416/SV-2414 Siemens ELECTRICAL WIRING DIAGRAM



PART NO.		SK-SVL2416-S-D2	
SV-6332SX/SV-4328SX		SVL-2416/SV-2414	
PAGE		D2	

凱鋒工業股份有限公司

SK-SVL2416-S-D2

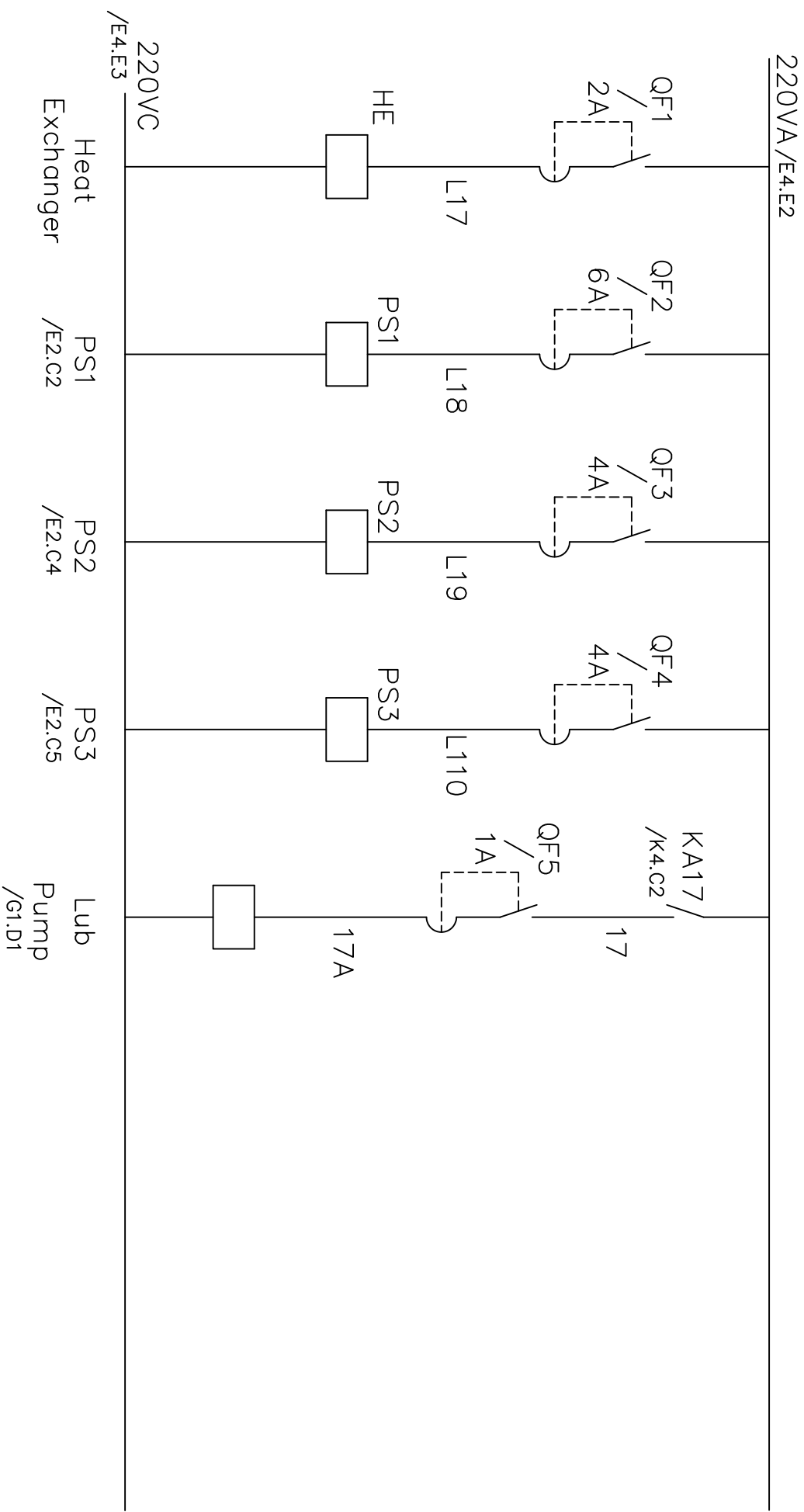
SV-6332SX/SV-4328SX
SVL-2416/SV-2414

PAGE

D2

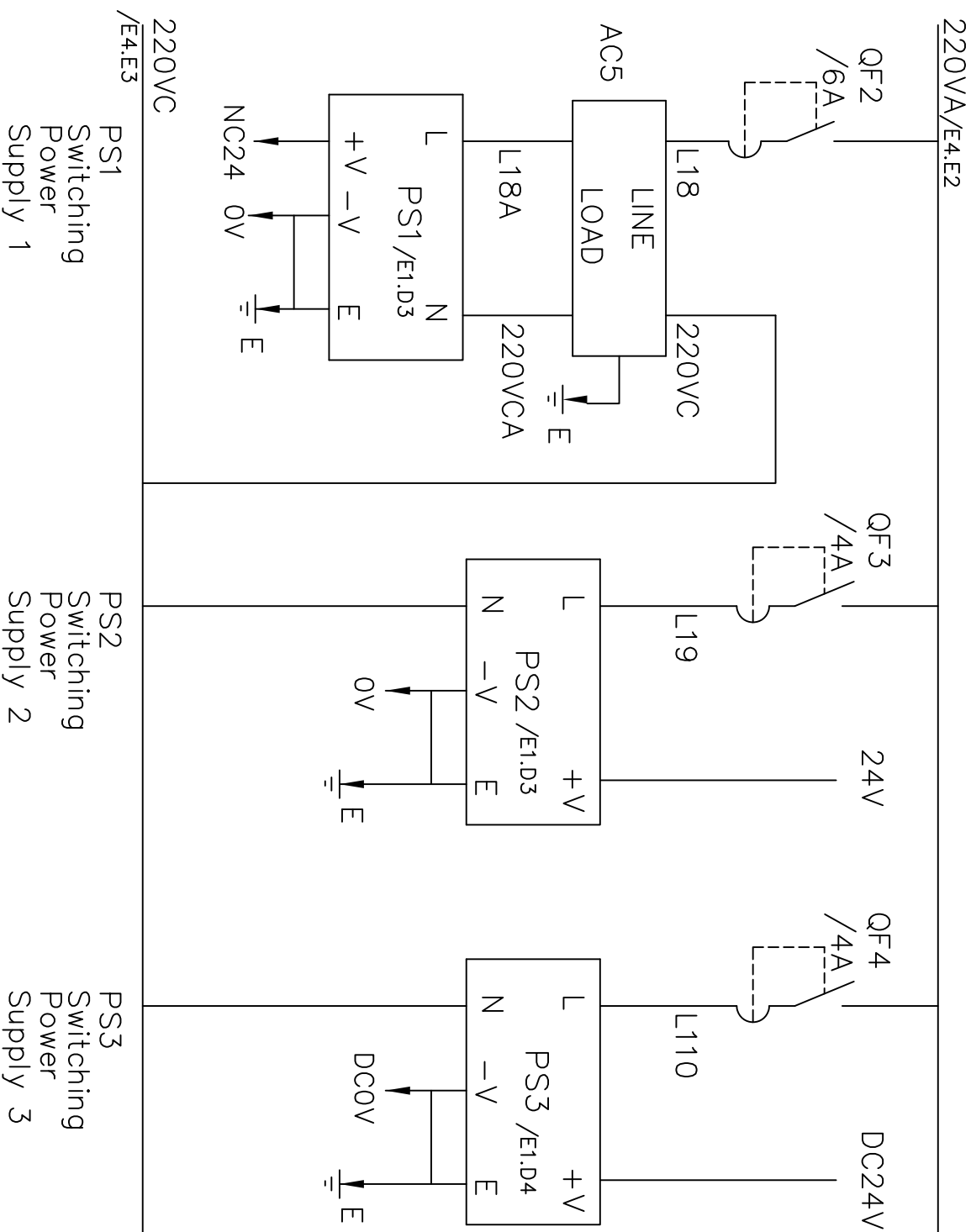
SV-6332SX/SV-4328SX/SVL-2416/SV-2414 Siemens ELECTRICAL WIRING DIAGRAM

Wiring Of Circuit Braker



PART NO.	SK-SVL2416-S-E1	凱鋒工業股份有限公司	PAGE
		SV-6332SX/SV-4328SX	E1
		SVL-2416/SV-2414	

SV-6332SX/SV-4328SX/SVL-2416/SV-2414 Siemens ELECTRICAL WIRING DIAGRAM



PART NO.		凯鋒工業股份有限公司		PAGE	
SK-SVL2416-S-E2		SV-6332SX/SV-4328SX SVL-2416/SV-2414		E2	

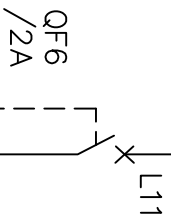
SV-6332SX/SV-4328SX/SVL-2416/SV-2414 Siemens ELECTRICAL WIRING DIAGRAM

AC380V

L11/A1.C7

L21

L31



TR1
1340VA

0V
380V

L111

L31

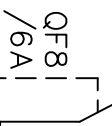
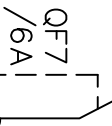
220VA 220VC

220V 0V

220VB

0V 24V

AC0V 24V1



AC24V
KA21 /K4.C5

21



WORK LIGHT

QF9
1A

L113 L123 L133

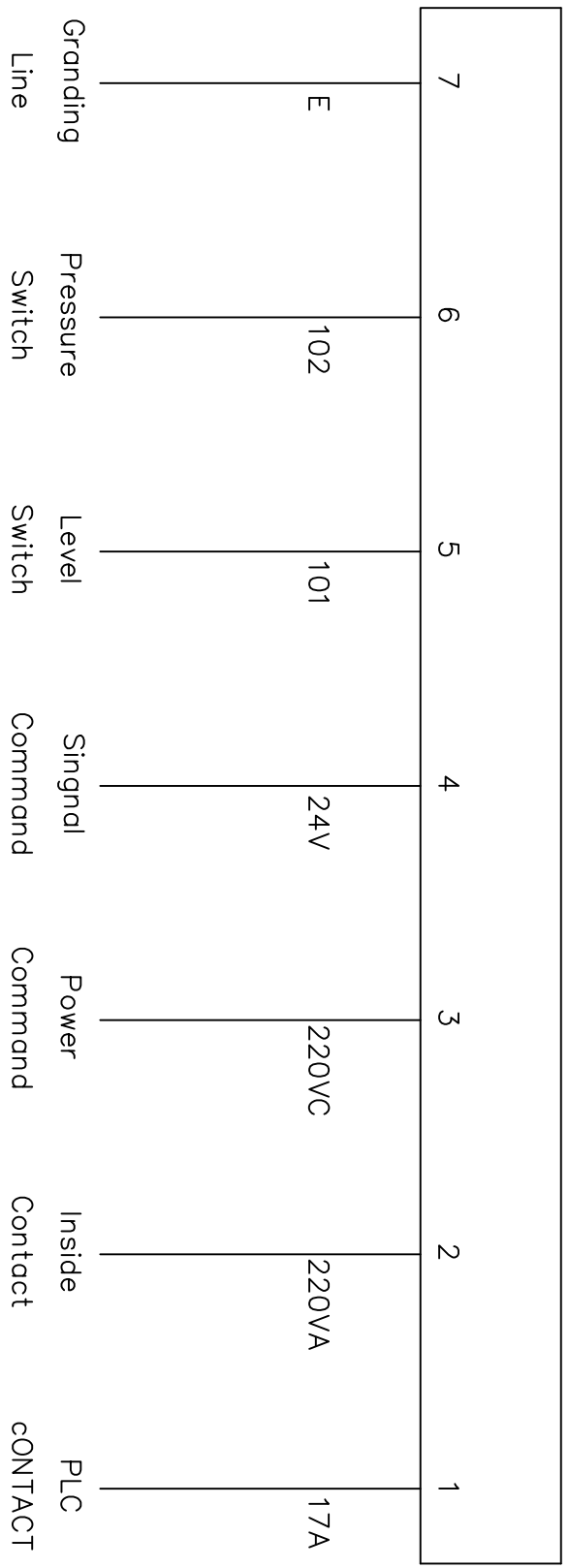


Fan OF
SP Motor
/C1.E5

PART NO.		凱鋒工業股份有限公司		PAGE	
SK-SVL2416-S-E4		SV-6332SX/SV-4328SX SVL-2416/SV-2414		E4	

SV-6332SX/SV-4328SX/SVL-2416/SV-2414 Siemens ELECTRICAL WIRING DIAGRAM

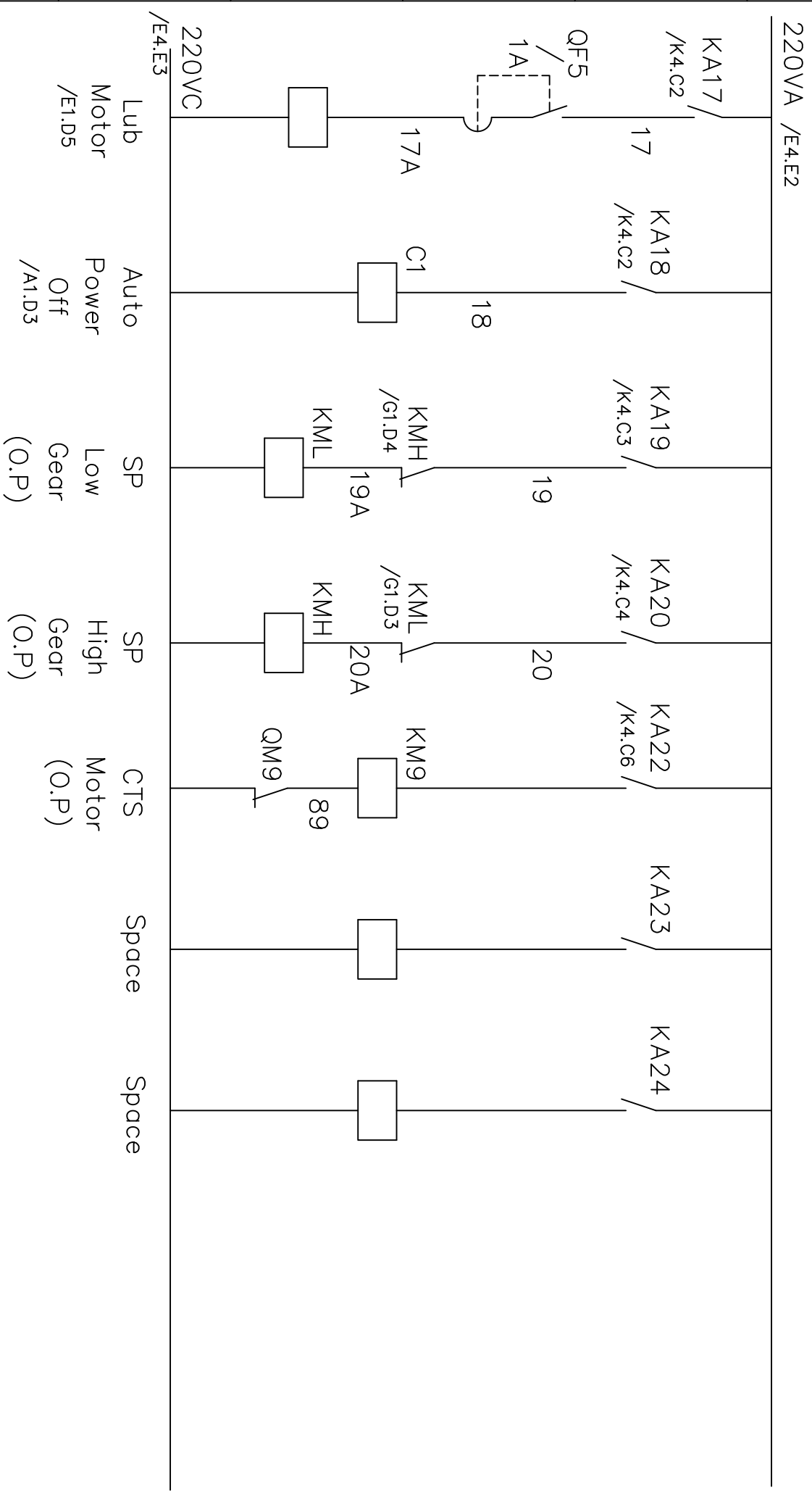
CH1BA Lubrication Unit



PART NO.		凱鋒工業股份有限公司		PAGE	
SK-SVL2416-S-E5		SV-6332SX/SV-4328SX SVL-2416/SV-2414		E5	

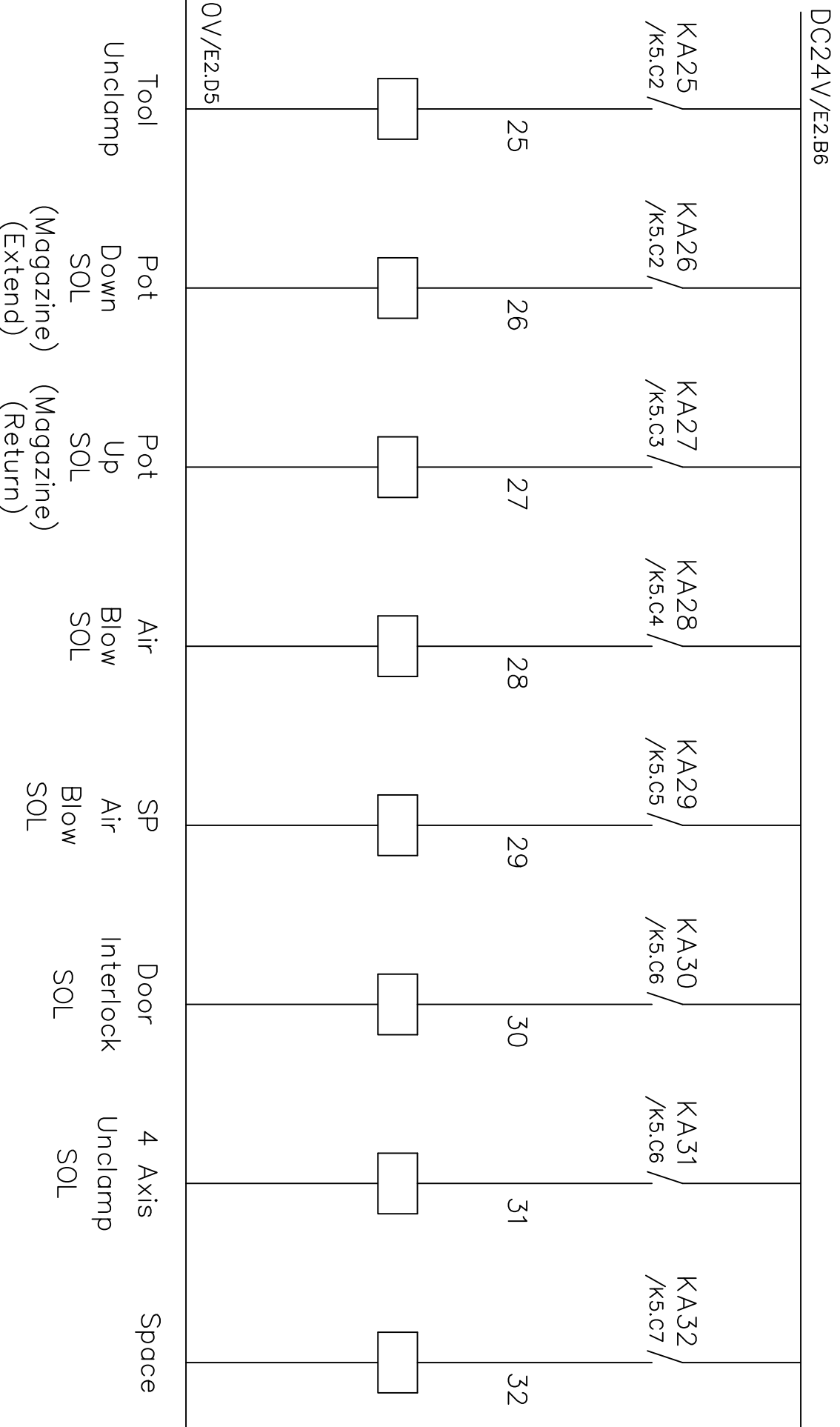
1	2	3	4	5	6	7	8	
A	CH1BA Lubrication Unit							A
B	7	6	5	4	3	2	1	
C	E	102	101	24V	220VC	220VA	17A	
D	Grounding Line	Pressure Switch	Level Switch	Singnal Command	Power Command	Inside Contact	PLC CONTACT	
E								E
F	1	2	3	4	5	6	7	
F								F

SV-6332SX/SV-4328SX/SVL-2416/SV-2414 Siemens ELECTRICAL WIRING DIAGRAM



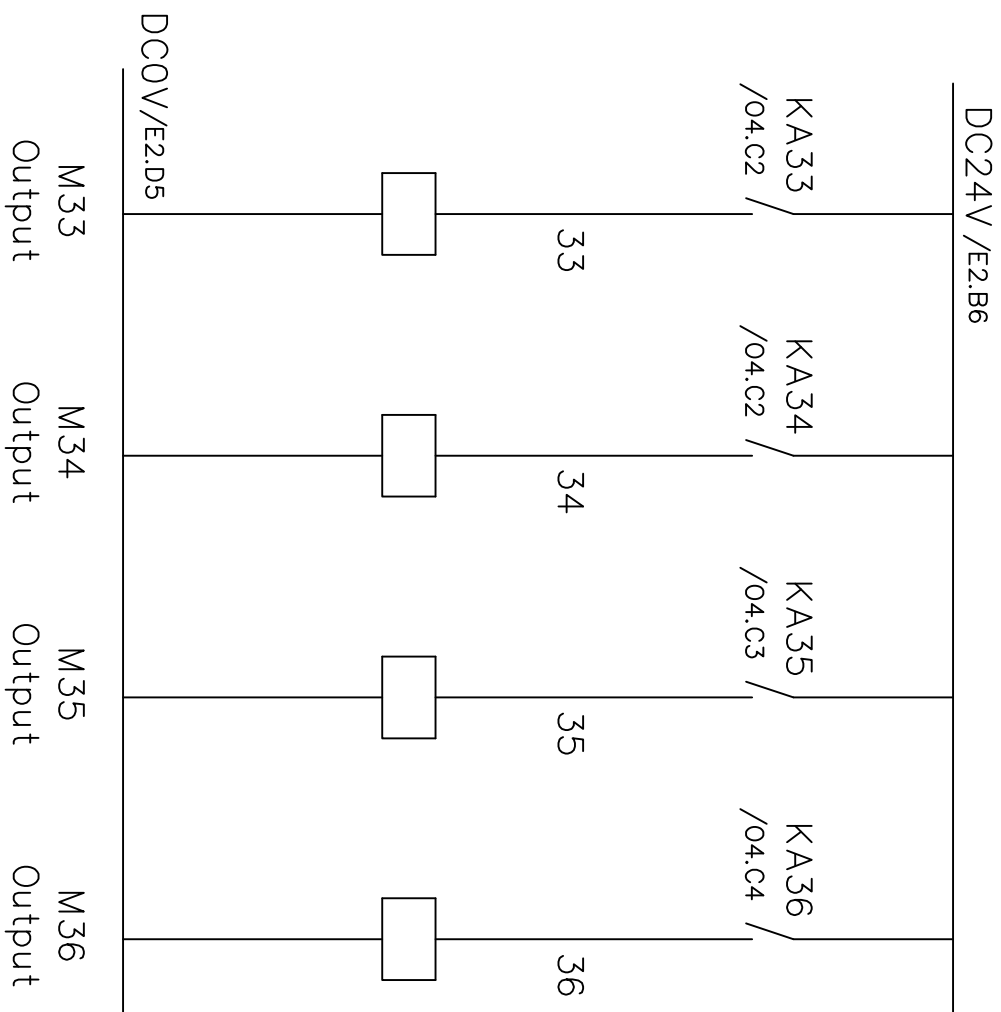
PART NO.		SV-6332SX/SV-4328SX		PAGE	
SK-SVL2416-S-G1		凱鋒工業股份有限公司 SVL-2416/SV-2414		G1	

SV-6332SX/SV-4328SX/SVL-2416/SV-2414 Siemens ELECTRICAL WIRING DIAGRAM



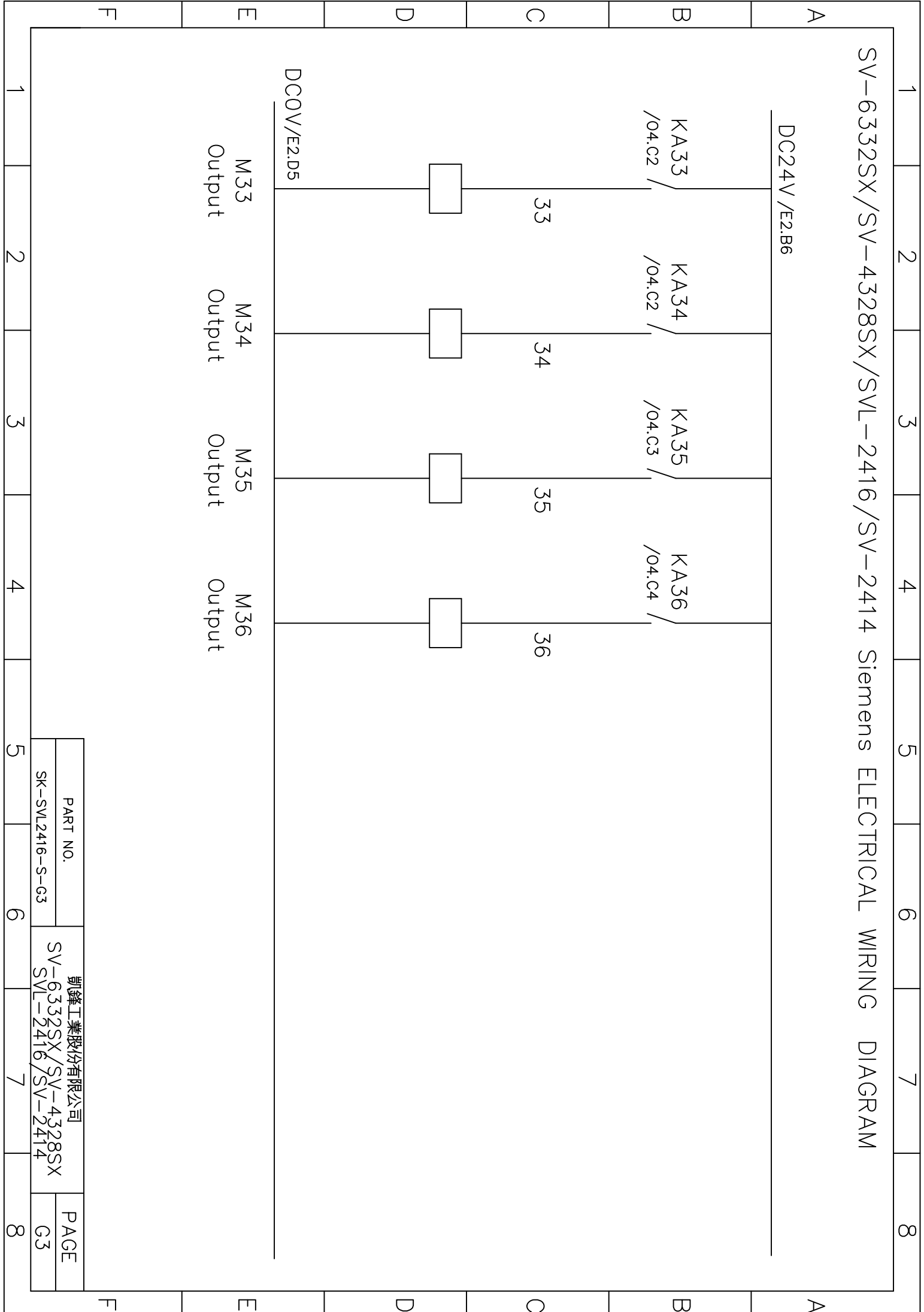
PART NO.		凱鋒工業股份有限公司 SV-6332SX/SV-4328SX SVL-2416/SV-2414	PAGE G2
SK-SVL2416-S-G2			

SV-6332SX/SV-4328SX/SVL-2416/SV-2414 Siemens ELECTRICAL WIRING DIAGRAM

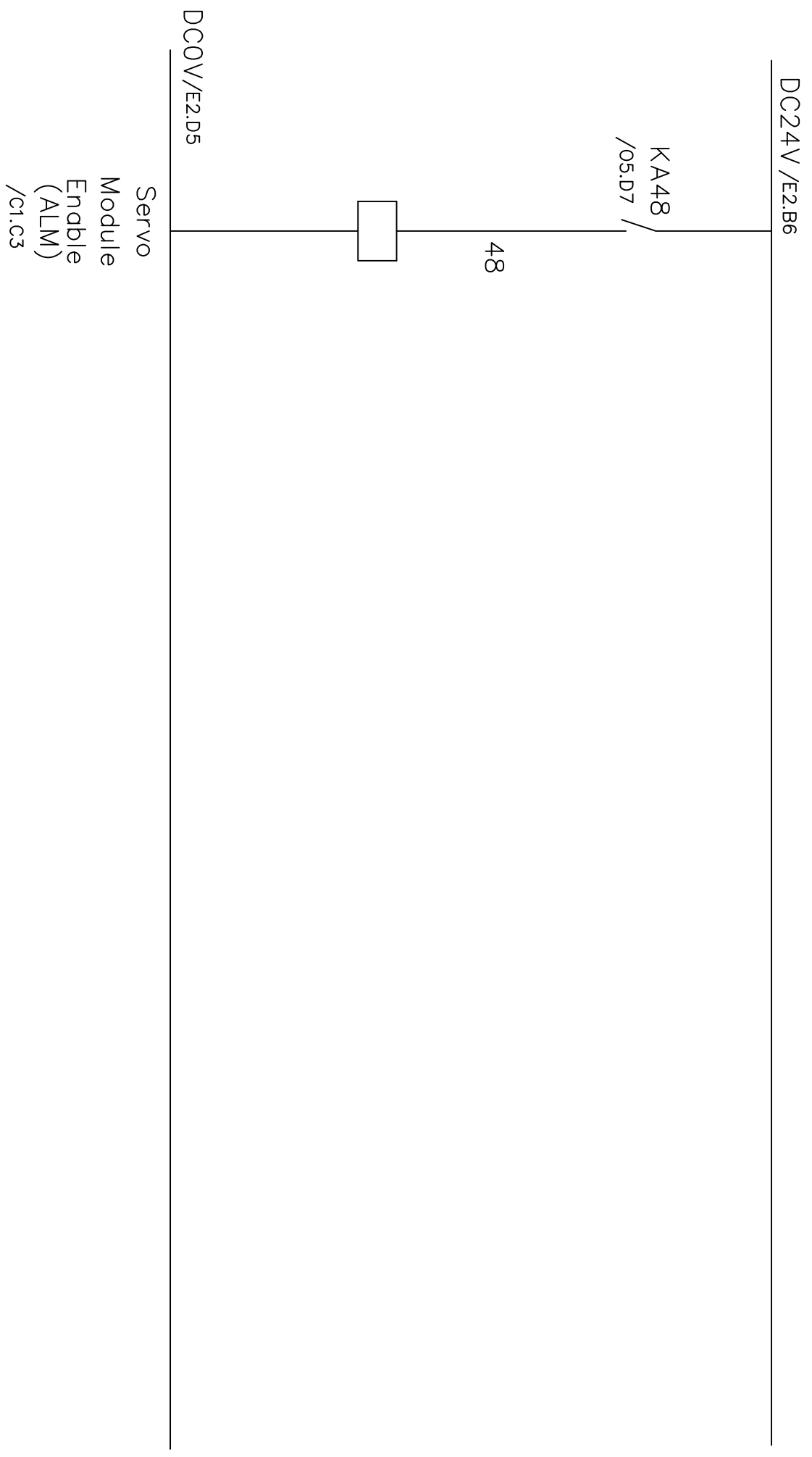


PART NO.		SV-6332SX/SV-4328SX		PAGE	
SK-SVL2416-S-G3		SVL-2416/SV-2414		G3	

凱鋒工業股份有限公司

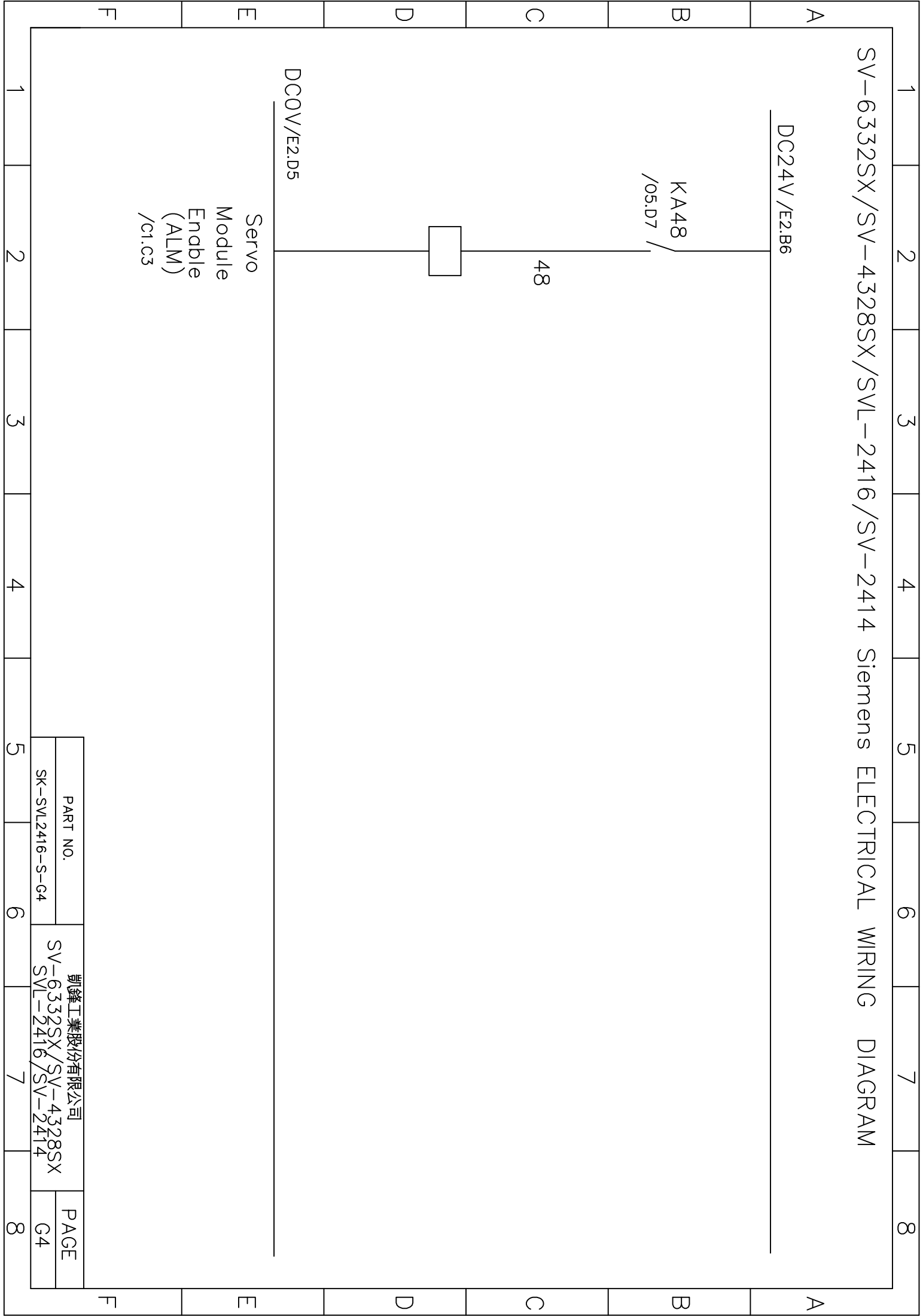


SV-6332SX/SV-4328SX/SVL-2416/SV-2414 Siemens ELECTRICAL WIRING DIAGRAM

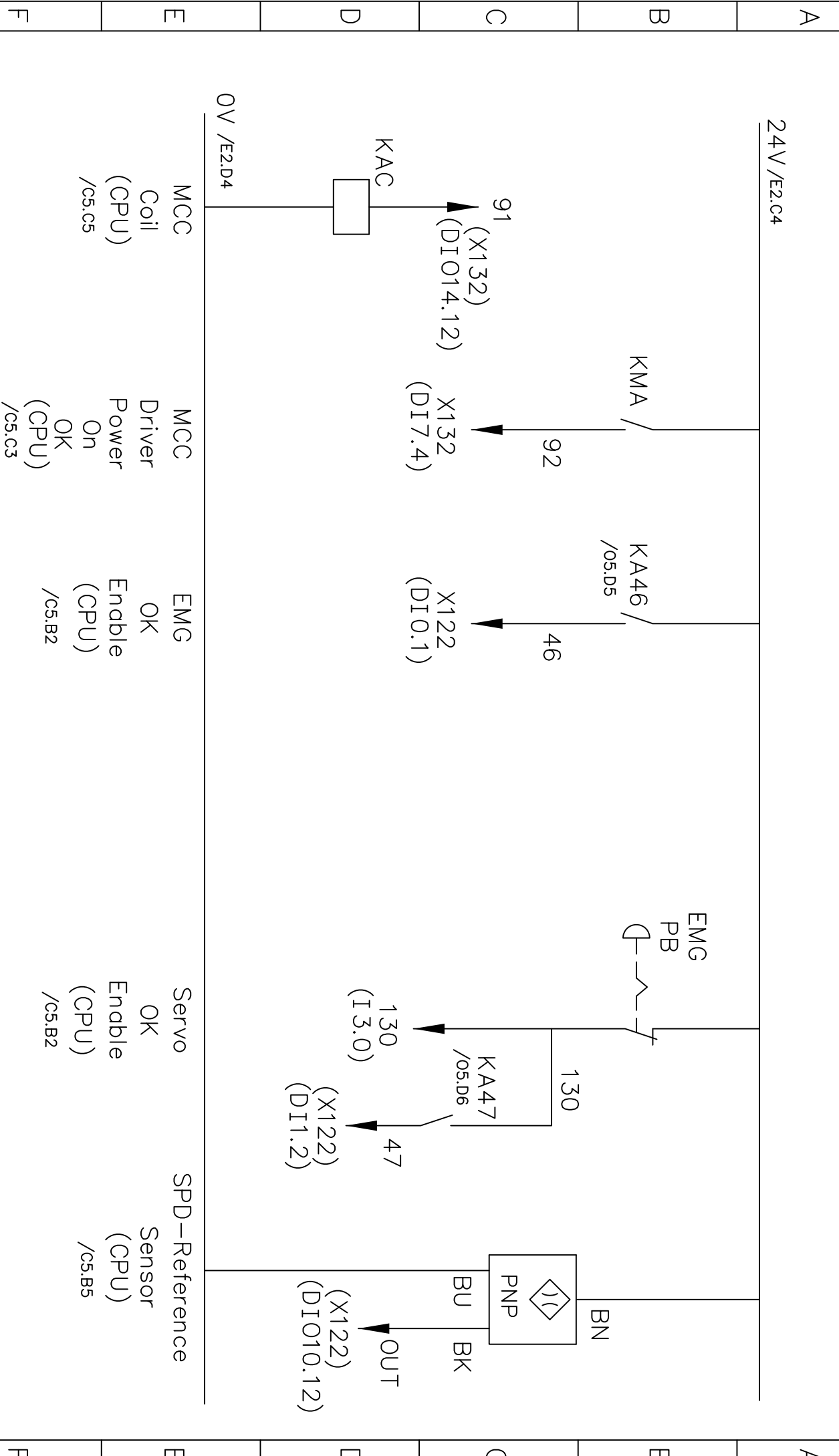


PART NO.		SV-6332SX/SV-4328SX		PAGE	
SK-SVL2416-S-G4		SVL-2416/SV-2414		G4	

凱鋒工業股份有限公司



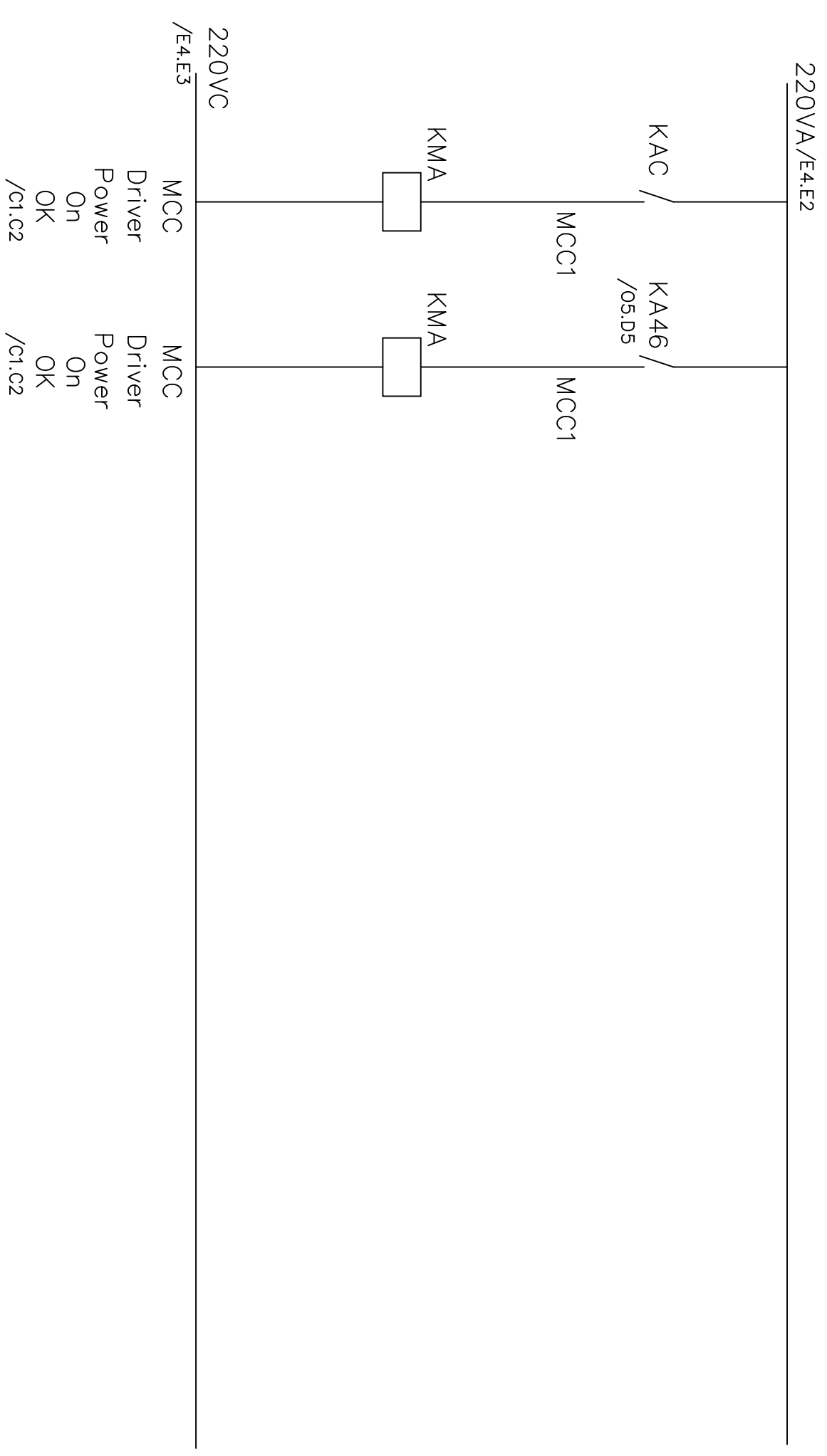
SV-6332SX/SV-4328SX/SVL-2416/SV-2414 Siemens ELECTRICAL WIRING DIAGRAM



PART NO.		SV-6332SX/SV-4328SX		PAGE	
SK-SVL2416-S-G5		SVL-2416/SV-2414		G5	

凱鋒工業股份有限公司

SV-6332SX/SV-4328SX/SVL-2416/SV-2414 Siemens ELECTRICAL WIRING DIAGRAM



PART NO.	SV-6332SX/SV-4328SX	PAGE
SK-SVL2416-S-G6	SVL-2416/SV-2414	

凱鋒工業股份有限公司

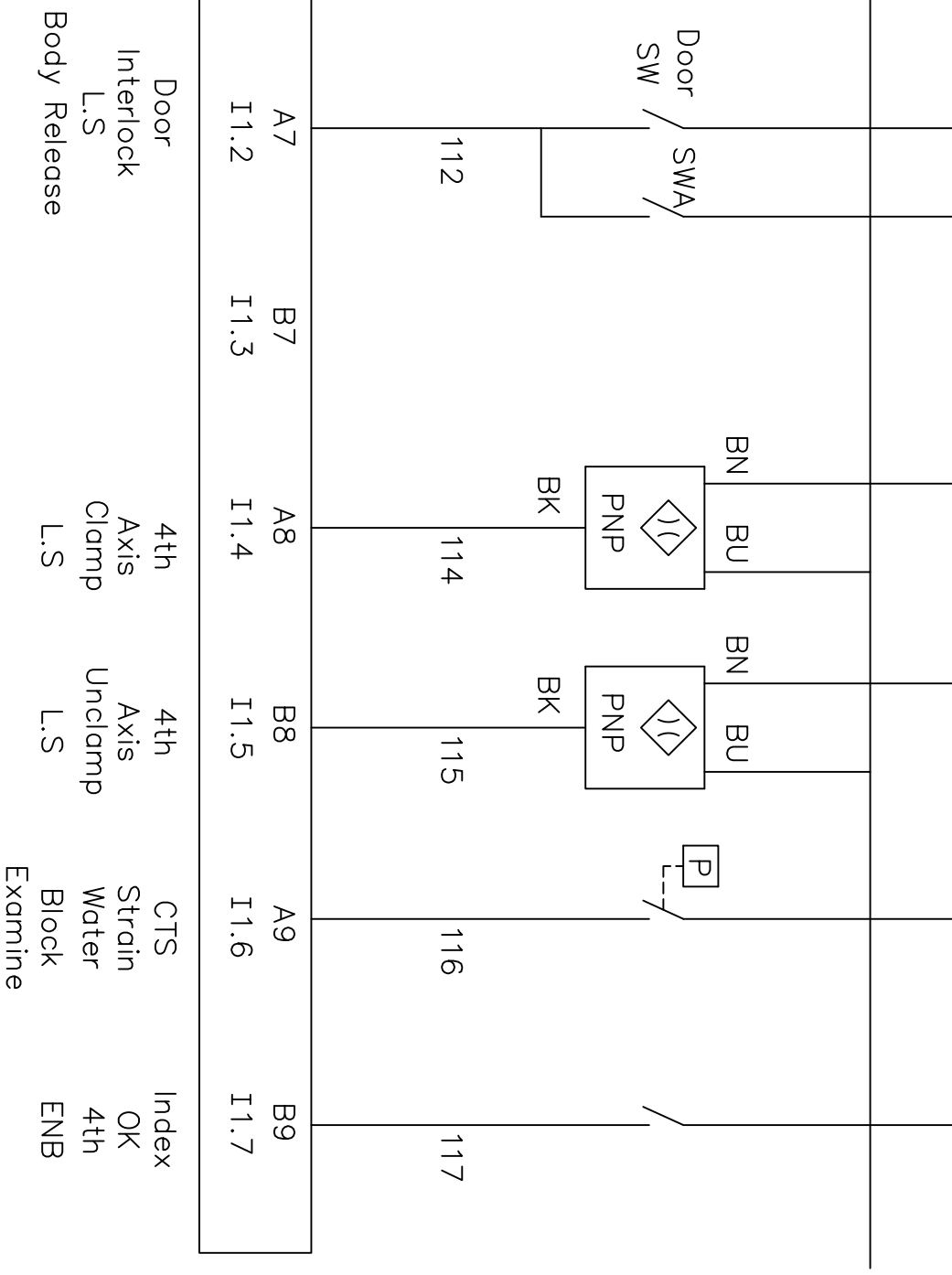
1	2	3	4	5	6	7	8
A	B	C	D	E	F	A	B

SV-6332SX/SV-4328SX/SVL-2416/SV-2414 Siemens ELECTRICAL WIRING DIAGRAM

Input List Of X111

24V/E2.C4

OV /E2.D4



Pin NO.	A6	B6	A7	B7	A8	B8	A9	B9
Define	I1.0	I1.1	I1.2	I1.3	I1.4	I1.5	I1.6	I1.7

Door Interlock L.S.
Body Release

4th Axis Clamp L.S.
4th Axis Unclamp L.S.

CTS Strain Water Block Examine
Index OK 4th ENB

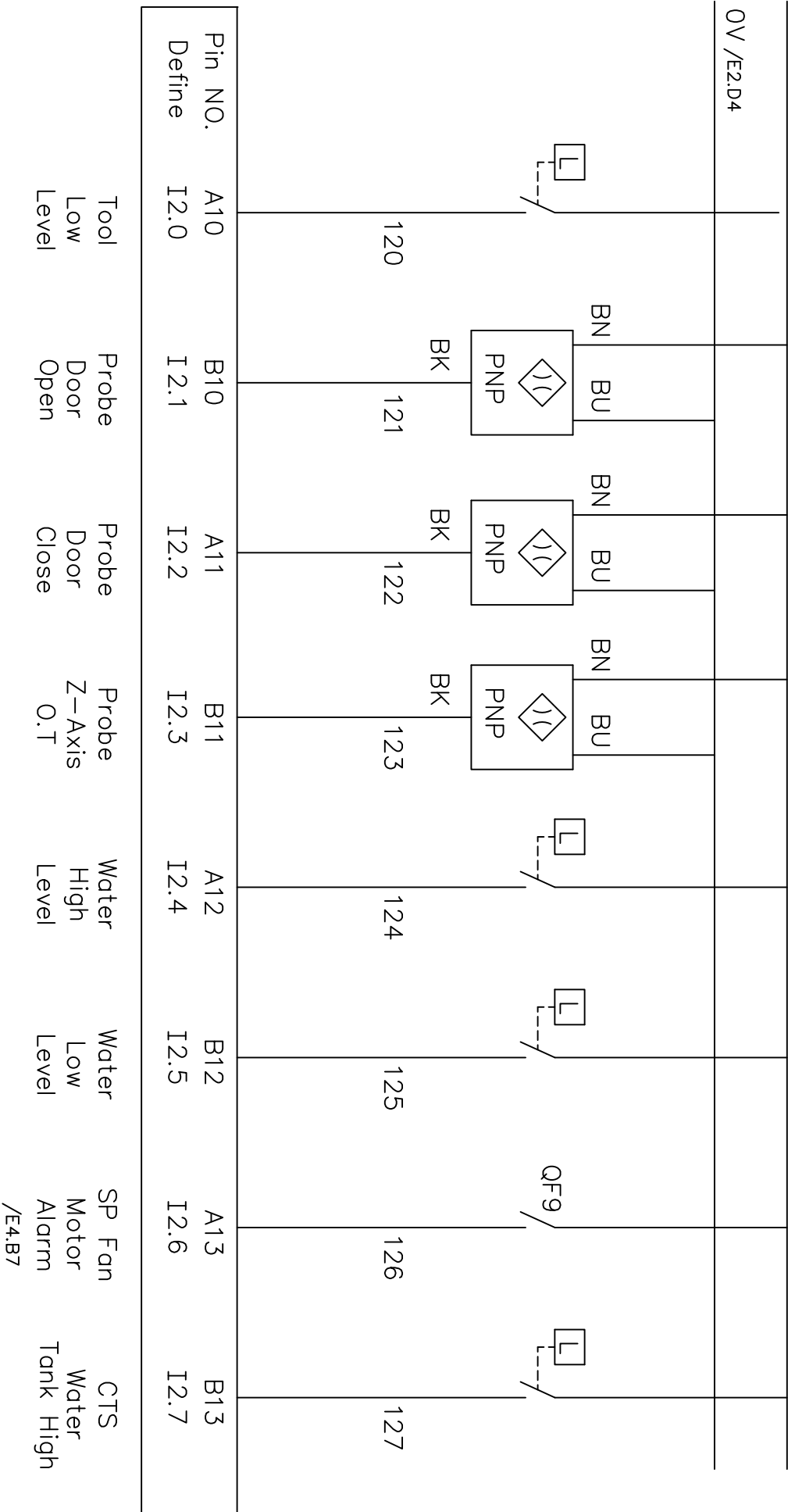
PART NO.		SV-6332SX/SV-4328SX		PAGE
SK-SVL2416-S-J2		SVL-2416/SV-2414		
凱鋒工業股份有限公司				J2

SV-6332SX/SV-4328SX/SVL-2416/SV-2414 Siemens ELECTRICAL WIRING DIAGRAM

Input List Of X111

24V/E2.C4

OV/E2.D4



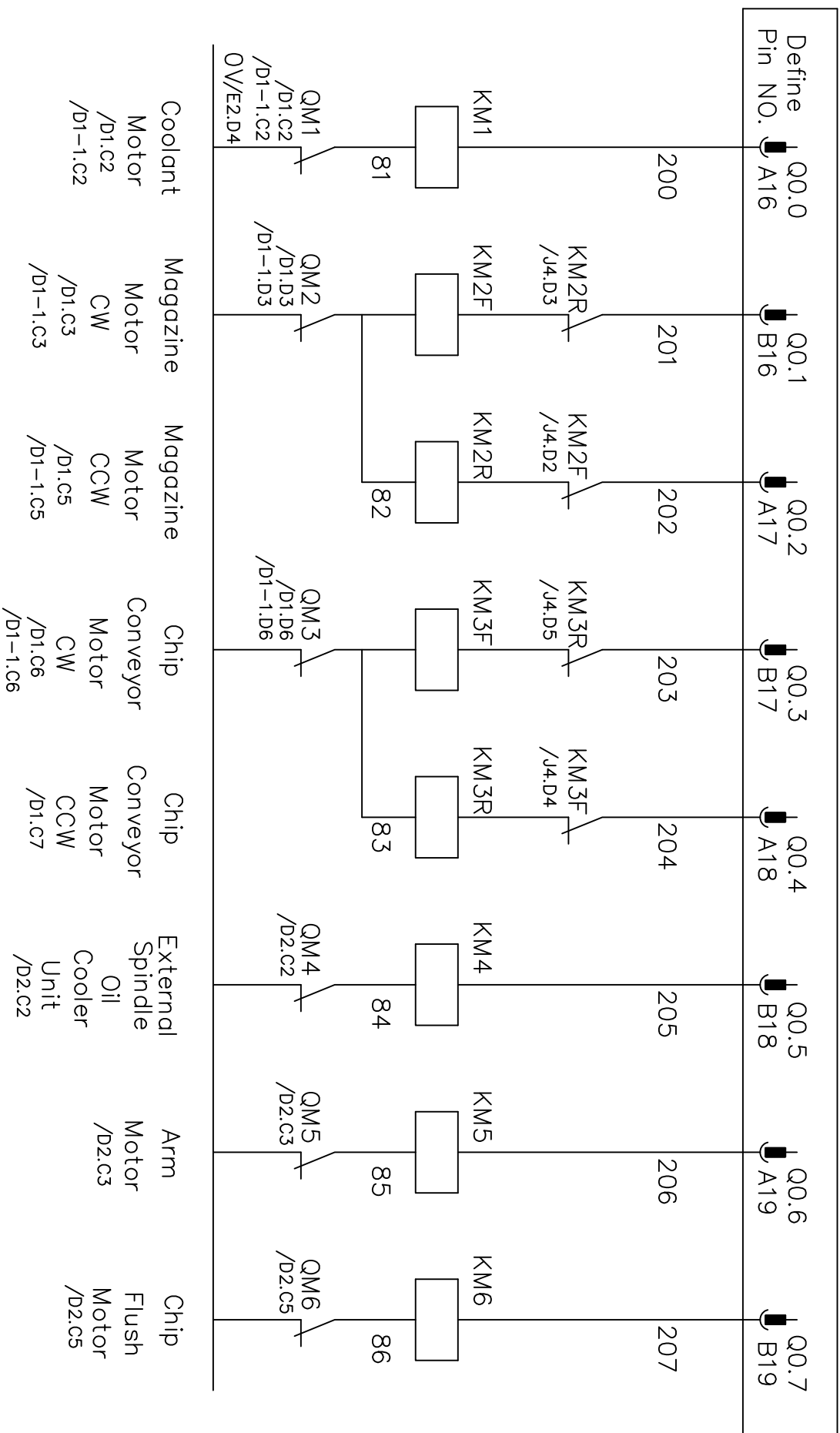
PART NO.		SV-6332SX/SV-4328SX		PAGE	
SK-SVL2416-S-J3		SVL-2416/SV-2414		J3	

凱鋒工業股份有限公司

1 2 3 4 5 6 7 8

SV-6332SX/SV-4328SX/SVL-2416/SV-2414 Siemens ELECTRICAL WIRING DIAGRAM

Output List Of X111

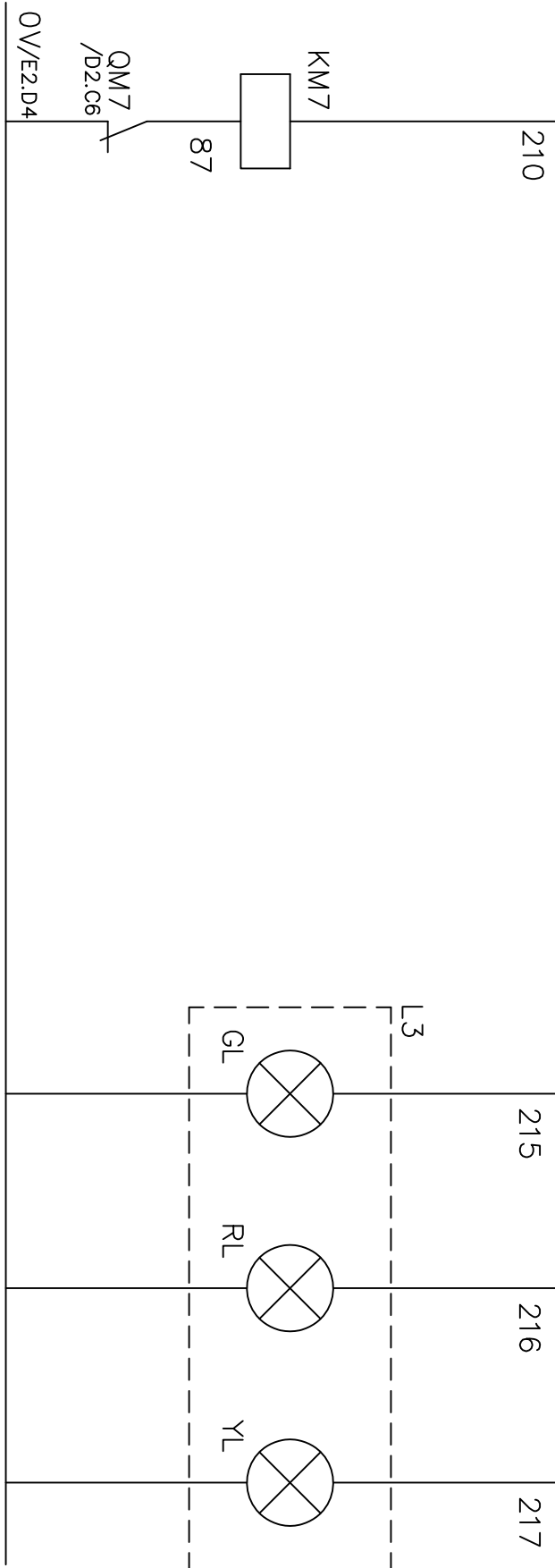


Coolant	Magazine	Magazine	Chip	Chip	External Spindle	Arm	Chip
Motor	Motor	Motor	Conveyor	Conveyor	Oil Cooler Unit	Motor	Flush Motor
/D1.C2	CW	CCW	Motor	Motor		/D2.C3	/D2.C5
/D1-1.C2	/D1.C3	/D1.C5	CW	CCW			
	/D1-1.C3	/D1-1.C5	/D1.C6	/D1.C7			
			/D1-1.C6	/D1-1.C7			

SV-6332SX/SV-4328SX/SVL-2416/SV-2414 Siemens ELECTRICAL WIRING DIAGRAM

Output List Of X111

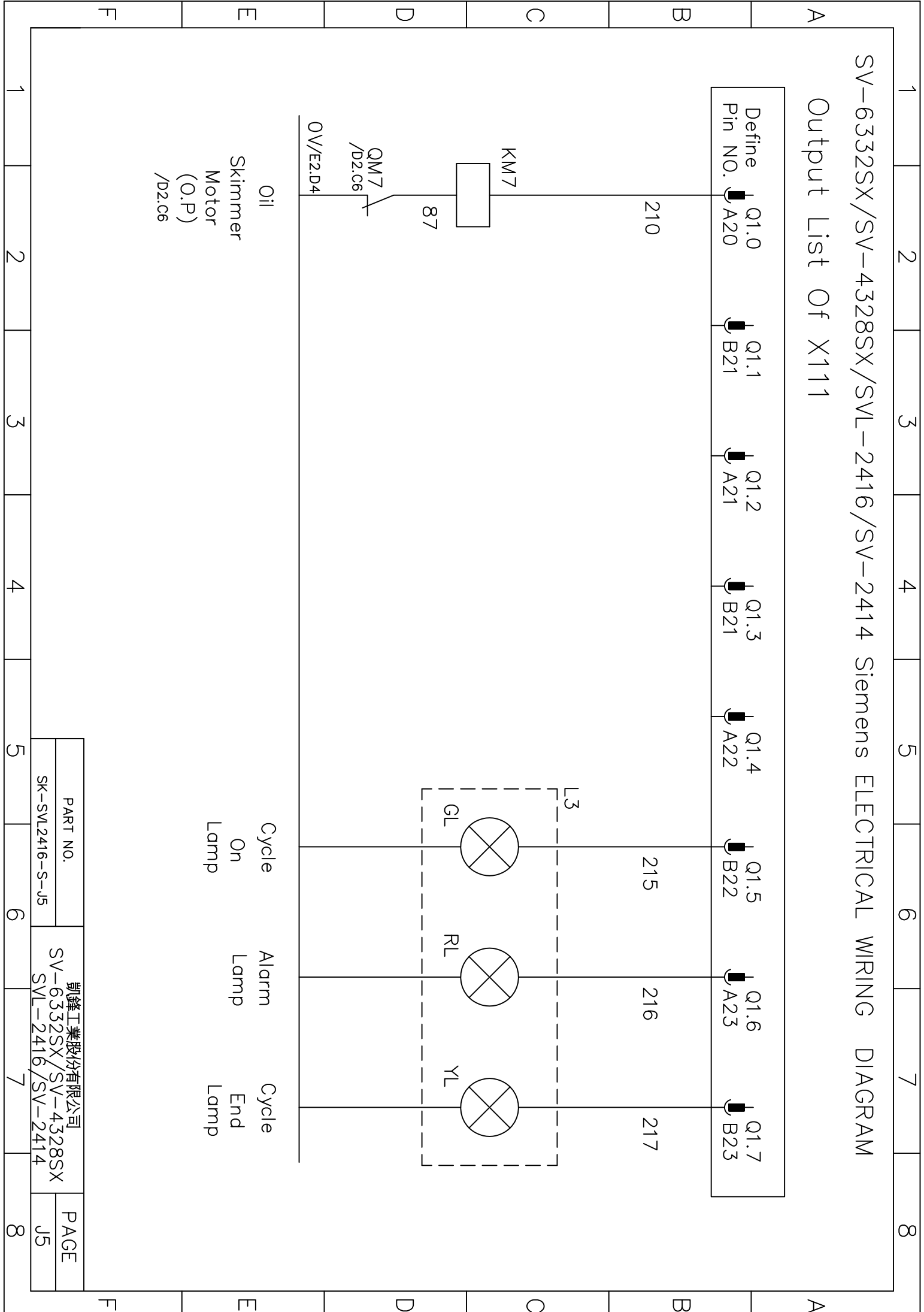
Define	Q1.0	Q1.1	Q1.2	Q1.3	Q1.4	Q1.5	Q1.6	Q1.7
Pin NO.	A20	B21	A21	B21	A22	B22	A23	B23



Oil
Skimmer
Motor
(O.P)
/D2.c6

Cycle On Lamp
Alarm Lamp
Cycle End Lamp

PART NO.	SV-6332SX/SV-4328SX	凱鋒工業股份有限公司 SK-SVL2416-S-J5	PAGE
	SVL-2416/SV-2414		J5



SV-6332SX/SV-4328SX/SVL-2416/SV-2414 Siemens ELECTRICAL WIRING DIAGRAM

Output List Of X111

Define Pin NO.	0V A1	24V B1	DOCCOM A24	DOCCOM B24	DOCCOM A25	DOCCOM B25
24V/E2.C4						
0V/E2.D4						

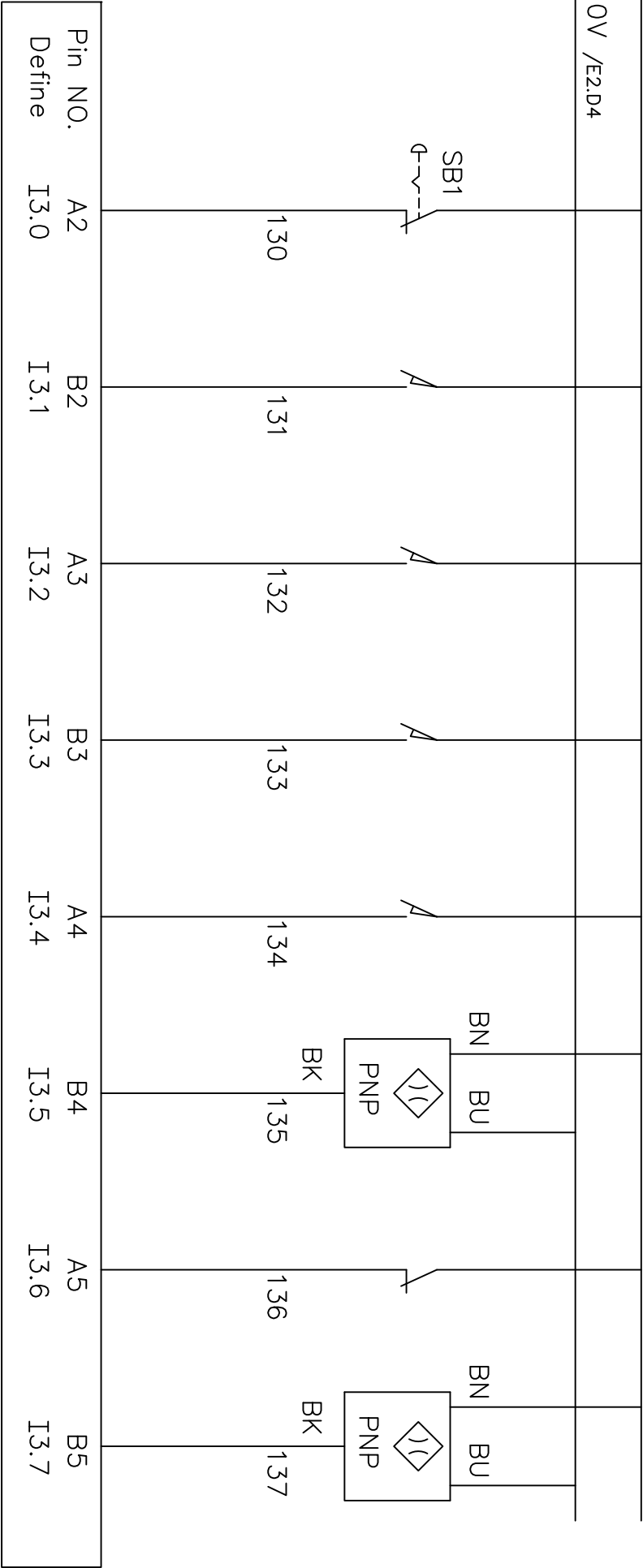
PART NO.	SV-6332SX/SV-4328SX SVL-2416/SV-2414	凱鋒工業股份有限公司
SK-SVL2416-S-J6		
PAGE	J6	

SV-6332SX/SV-4328SX/SVL-2416/SV-2414 Siemens ELECTRICAL WIRING DIAGRAM

Input List Of X222

24V /E2.C4

OV /E2.D4



Pin NO.	A2	B2	A3	B3	A4	B4	A5	B5
Define	I3.0	I3.1	I3.2	I3.3	I3.4	I3.5	I3.6	I3.7
Emergency Stop		X- Reference L.S	Y- Reference L.S	Z- Reference L.S	4th- Reference L.S	Mag. Forward / Arm Home Sensor	X O.T L.S	Mag. Backward / Arm Clamp Sensor

PART NO.	SV-6332SX/SV-4328SX	凱鋒工業股份有限公司 SK-SVL2416-S-K1	SVL-2416/SV-2414	PAGE
				K1

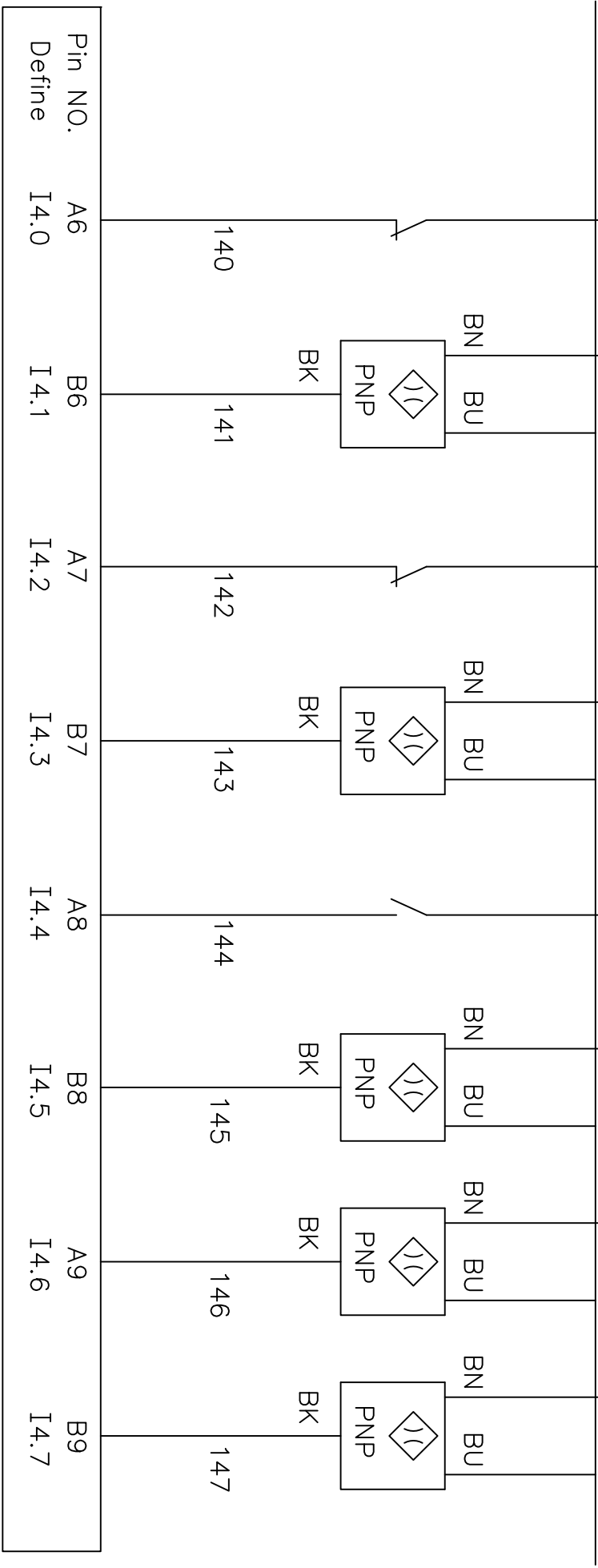
1 2 3 4 5 6 7 8

SV-6332SX/SV-4328SX/SVL-2416/SV-2414 Siemens ELECTRICAL WIRING DIAGRAM

Input List Of X222

24V/E2.C4

OV/E2.D4



Pin NO.	A6	B6	A7	B7	A8	B8	A9	B9
Define	I4.0	I4.1	I4.2	I4.3	I4.4	I4.5	I4.6	I4.7
	Y	Arm	Z	Mag.	O.T	Mag.	Tool	Mag.
	O.T LS	Brake	O.T LS	Home	Relay	Counter	Unclamp	Pocket
	Sensor	Sensor	Sensor	Sensor	Sensor	Sensor	Sensor	Sensor

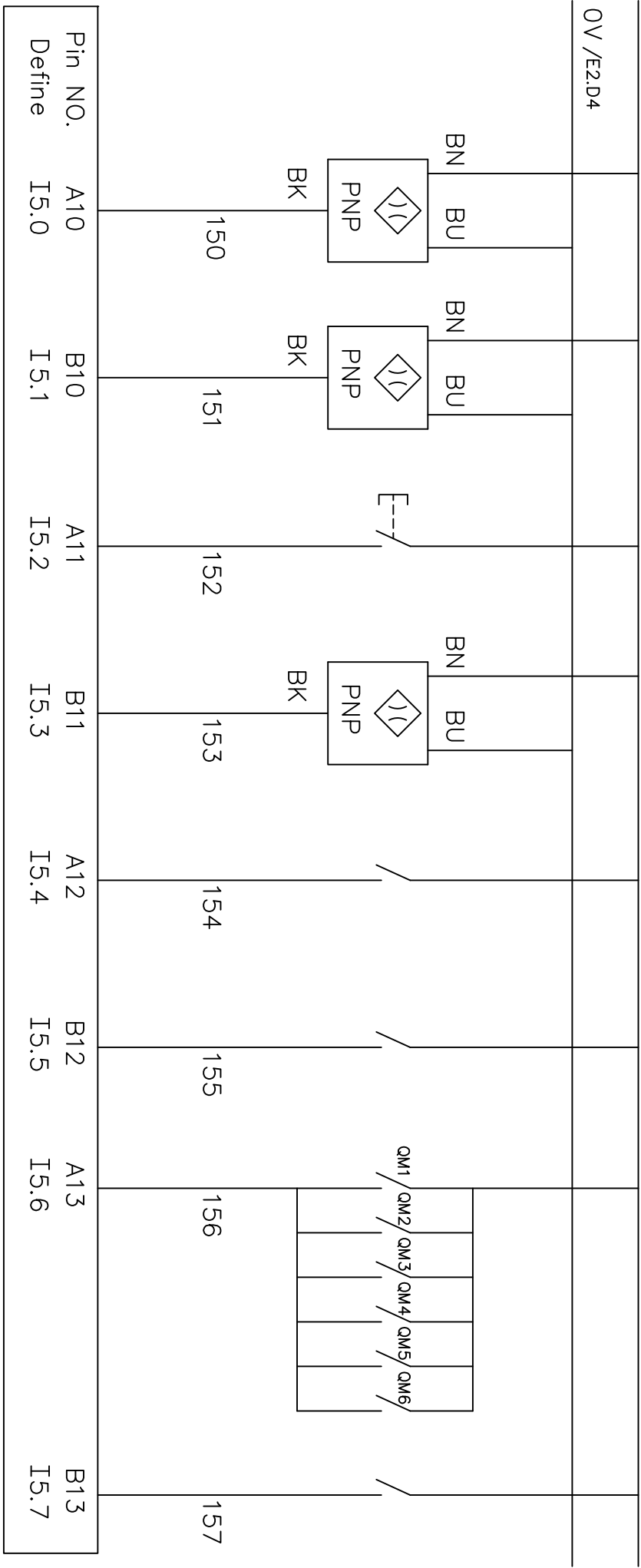
PART NO.		凱鋒工業股份有限公司		PAGE	
SK-SVL2416-S-K2		SV-6332SX/SV-4328SX SVL-2416/SV-2414		K2	

SV-6332SX/SV-4328SX/SVL-2416/SV-2414 Siemens ELECTRICAL WIRING DIAGRAM

Input List Of X222

24V/E2.C4

OV/E2.D4

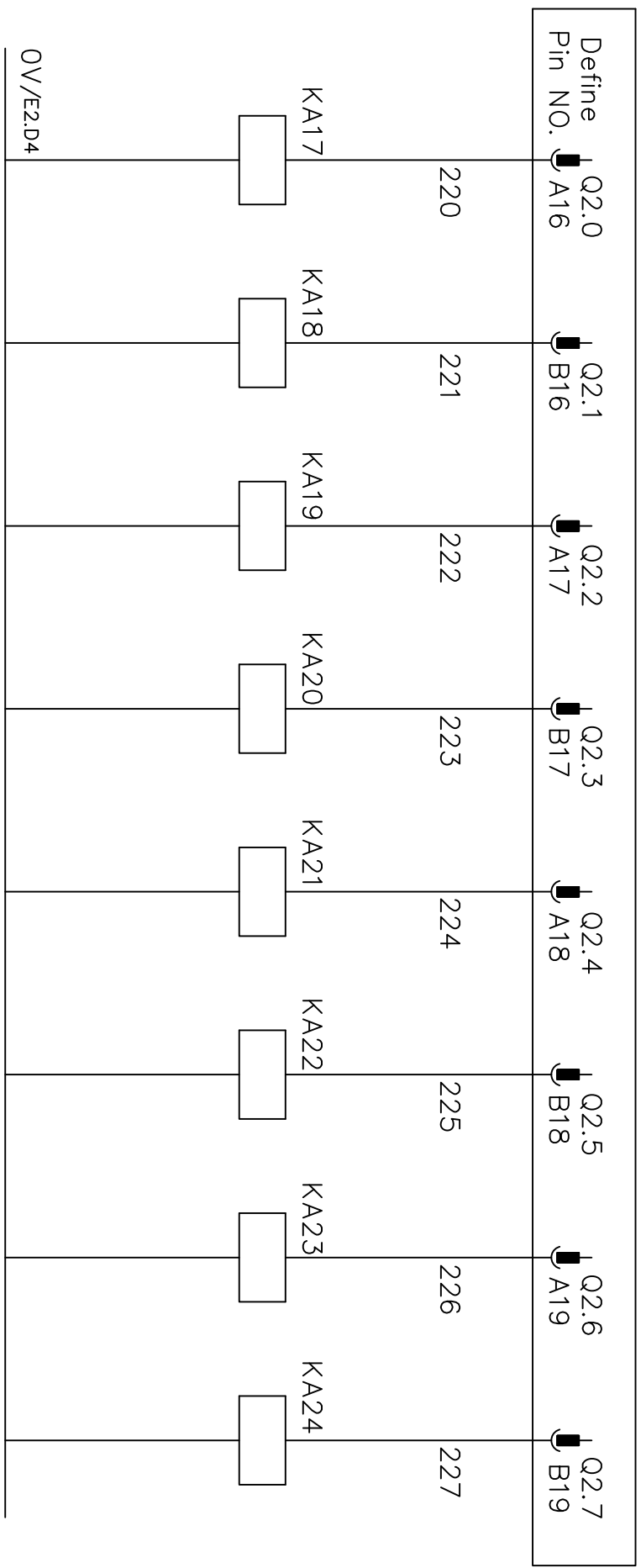


Pin NO.	Define	Tool	Procket	Tool	Procket	SP Chiller	ZF Gear	Motor	ZF Gear
A10	I5.0	Clamp	Up	Unclamp	Down	Alarm	Hi	O.L	Low
B10	I5.1	Sensor	Sensor	PB	Sensor				
A11	I5.2								
B11	I5.3								
A12	I5.4								
B12	I5.5								
A13	I5.6								
B13	I5.7								

PART NO.		凱鋒工業股份有限公司 SV-6332SX/SV-4328SX SVL-2416/SV-2414	PAGE	
SK-SVL2416-S-K3			K3	

SV-6332SX/SV-4328SX/SVL-2416/SV-2414 Siemens ELECTRICAL WIRING DIAGRAM

Output List Of X222



Lubrication	Auto	Spindle	Spindle	Work	CTS	Space	Space
Motor /E1.B5 /G1.B1	Power Off Coil /G1.B2	Low Gear /G1.B3	High Gear /G1.B4	Light /E4.E4	Motor /G1.B5		

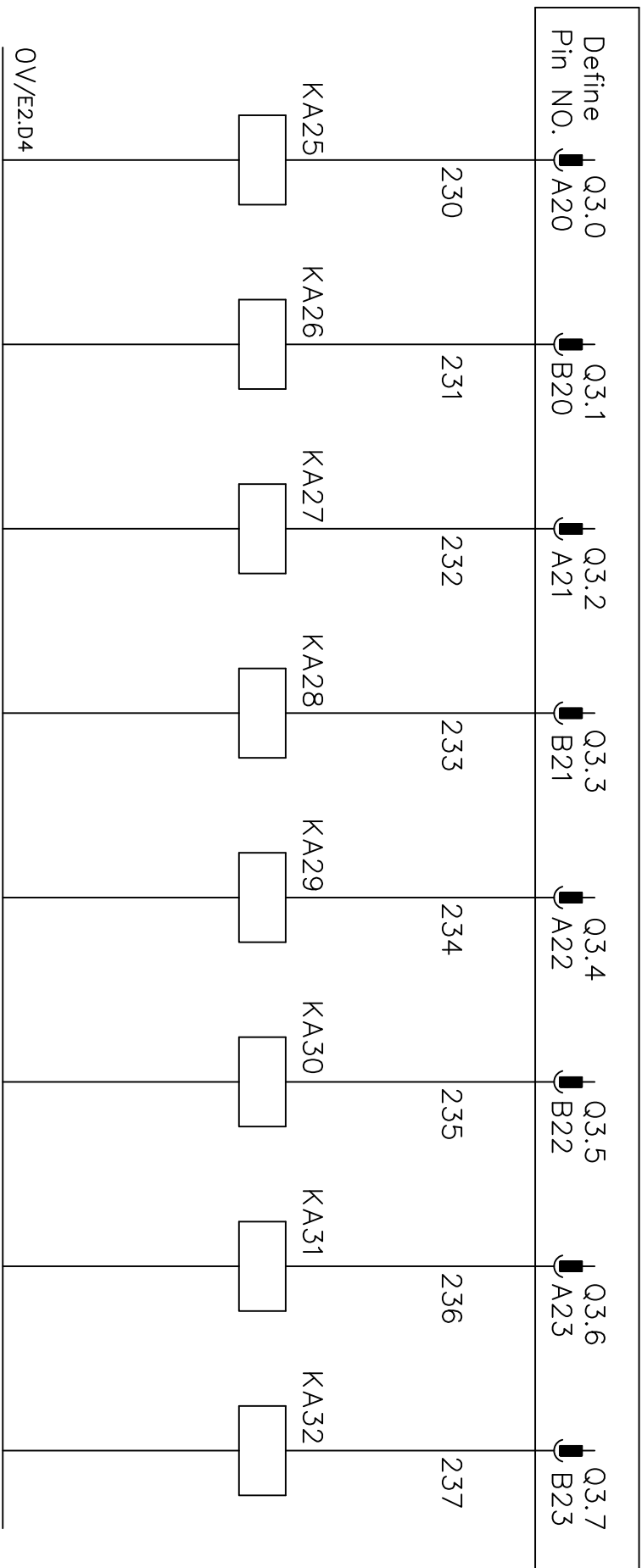
PART NO.		SV-6332SX/SV-4328SX		PAGE	
SK-SVL2416-S-K4		SVL-2416/SV-2414		K4	

凱鋒工業股份有限公司

1	2	3	4	5	6	7	8
---	---	---	---	---	---	---	---

SV-6332SX/SV-4328SX/SVL-2416/SV-2414 Siemens ELECTRICAL WIRING DIAGRAM

Output List Of X222



Tool	Pot	Pot	Air	Spindle	Door	4th	Space
Unclamp SOL /g2.B2	Down /	Up /	Blow SOL /g2.B4	Air Blow SOL /g2.B5	Interlock /g2.B6	Unclamp SOL /g2.B7	/g2.B8
	Magazine Extend SOL /g2.B3	Magazine Return SOL /g2.B3					

PART NO.		SV-6332SX/SV-4328SX		PAGE	
SK-SVL2416-S-K5		SVL-2416/SV-2414		K5	

凱鋒工業股份有限公司

1 2 3 4 5 6 7 8

F E D C B A

F E D C B A

SV-6332SX/SV-4328SX/SVL-2416/SV-2414 Siemens ELECTRICAL WIRING DIAGRAM

Input List Of X222

Define Pin NO.	0V A1	24V B1	DOCCOM A24	DOCCOM B24	DOCCOM A25	DOCCOM B25
24V/E2.C4						
0V/E2.D2						

PART NO.	SV-6332SX/SV-4328SX	PAGE
SK-SVL2416-S-K6	凱鋒工業股份有限公司 SVL-2416/SV-2414	K6

SV-6332SX/SV-4328SX/SVL-2416/SV-2414 Siemens ELECTRICAL WIRING DIAGRAM

Input List Of X333

24V/E2.C4

Pin NO.	A2	B2	A3	B3	A4	B4	A5	B5
Define	I6.0	I6.1	I6.2	I6.3	I6.4	I6.5	I6.6	I6.7

PART NO.		凱鋒工業股份有限公司		PAGE	
SK-SVL2416-S-01		SV-6332SX/SV-4328SX SVL-2416/SV-2414		01	

SV-6332SX/SV-4328SX/SVL-2416/SV-2414 Siemens ELECTRICAL WIRING DIAGRAM

Input List Of X333

24V/E2.C4

Pin NO.	A6	B6	A7	B7	A8	B8	A9	B9
Define	I7.0	I7.1	I7.2	I7.3	I7.4	I7.5	I7.6	I7.7

PART NO.	凱鋒工業股份有限公司 SV-6332SX/SV-4328SX SVL-2416/SV-2414	PAGE
SK-SVL2416-S-02		02

1 2 3 4 5 6 7 8

SV-6332SX/SV-4328SX/SVL-2416/SV-2414 Siemens ELECTRICAL WIRING DIAGRAM

Input List Of X333

24V/E2.c4

Pin NO.	A10	B10	A11	B11	A12	B12	A13	B13
Define	I8.0	I8.1	I8.2	I8.3	I8.4	I8.5	I8.6	I8.7

PART NO.	SK-SVL2416-S-03	凱鋒工業股份有限公司	PAGE
		SV-6332SX/SV-4328SX	03
		SVL-2416/SV-2414	

1 2 3 4 5 6 7 8

F F

E E

D D

C C

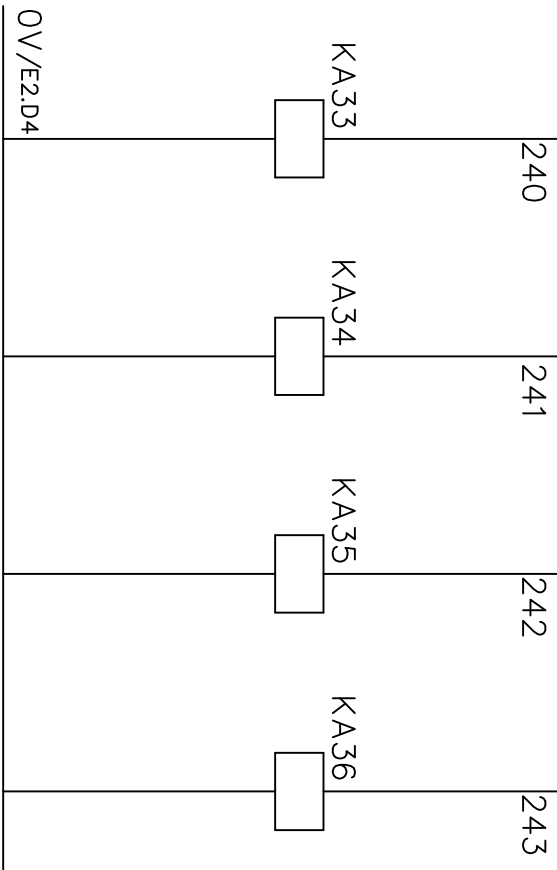
B B

A A

SV-6332SX/SV-4328SX/SVL-2416/SV-2414 Siemens ELECTRICAL WIRING DIAGRAM

Output List Of X333

Define	Q4.0	Q4.1	Q4.2	Q4.3	Q4.4	Q4.5	Q4.6	Q4.7
Pin NO.	A16	B16	A17	B17	A18	B18	A19	B19



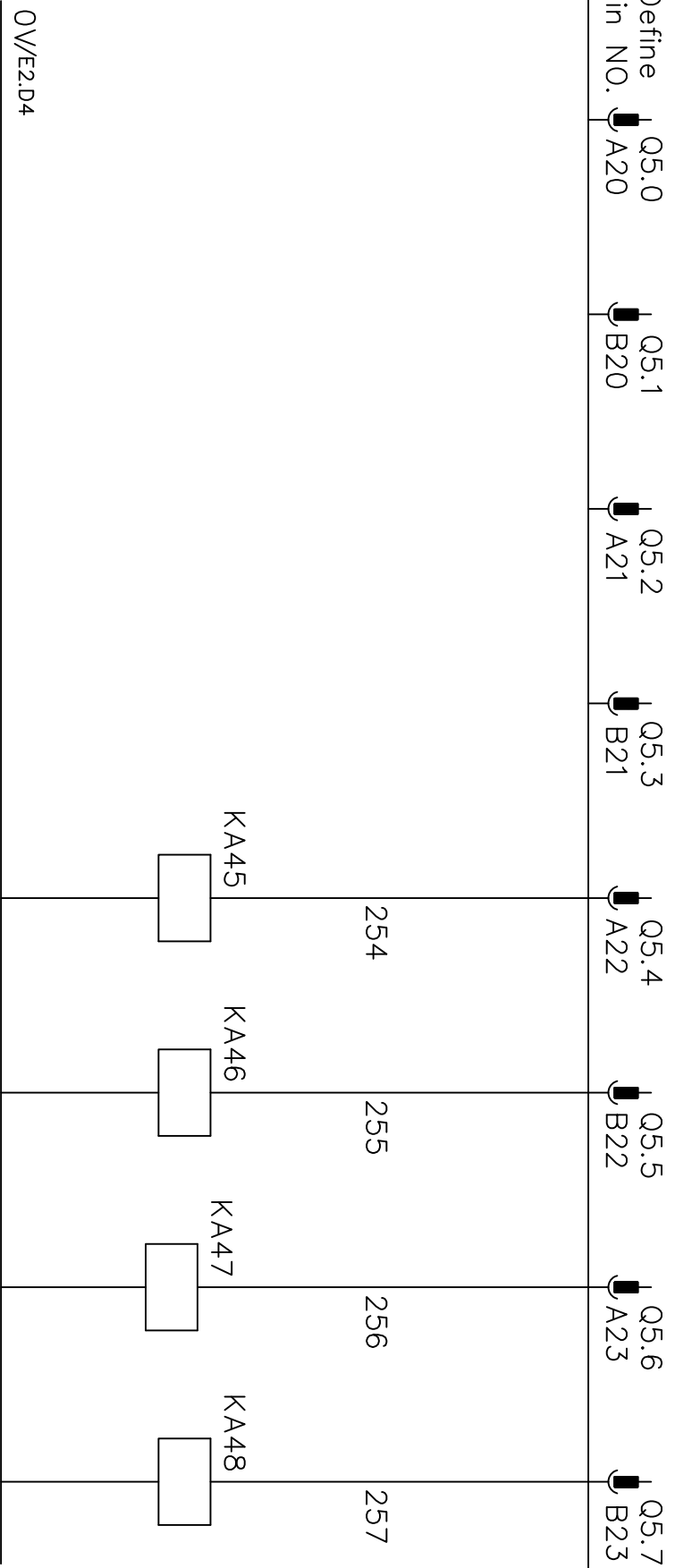
M33	M34	M35	M36
Output	Output	Output	Output
/G2.B2	/G3.B2	/G3.B3	/G3.B4

PART NO.	凱鋒工業股份有限公司	PAGE
SK-SVL2416-S-04	SV-6332SX/SV-4328SX SVL-2416/SV-2414	04

SV-6332SX/SV-4328SX/SVL-2416/SV-2414 Siemens ELECTRICAL WIRING DIAGRAM

Output List Of X333

Define Pin NO.	Q5.0	Q5.1	Q5.2	Q5.3	Q5.4	Q5.5	Q5.6	Q5.7
	A20	B20	A21	B21	A22	B22	A23	B23



O.T Release (O.P)
 Servo OK /G5.B4 /G6.B2
 EMG OK /G5.C6
 Z Brake /G4.B2

OV/E2.D4

PART NO.		SV-6332SX/SV-4328SX		PAGE	
SK-SVL2416-S-05		SVL-2416/SV-2414		05	

凱鋒工業股份有限公司

1	2	3	4	5	6	7	8
A	B	C	D	E	F	F	F

SV-6332SX/SV-4328SX/SVL-2416/SV-2414 Siemens ELECTRICAL WIRING DIAGRAM

Output List Of X333

Define Pin NO.	0V A1	24V B1	DOCCOM A24	DOCCOM B24	DOCCOM A25	DOCCOM B25
----------------	----------	-----------	---------------	---------------	---------------	---------------

24V/E2.C4

0V/E2.D2

PART NO.	SV-6332SX/SV-4328SX	凱鋒工業股份有限公司 SVL-2416/SV-2414	PAGE
SK-SVL2416-S-06			06

