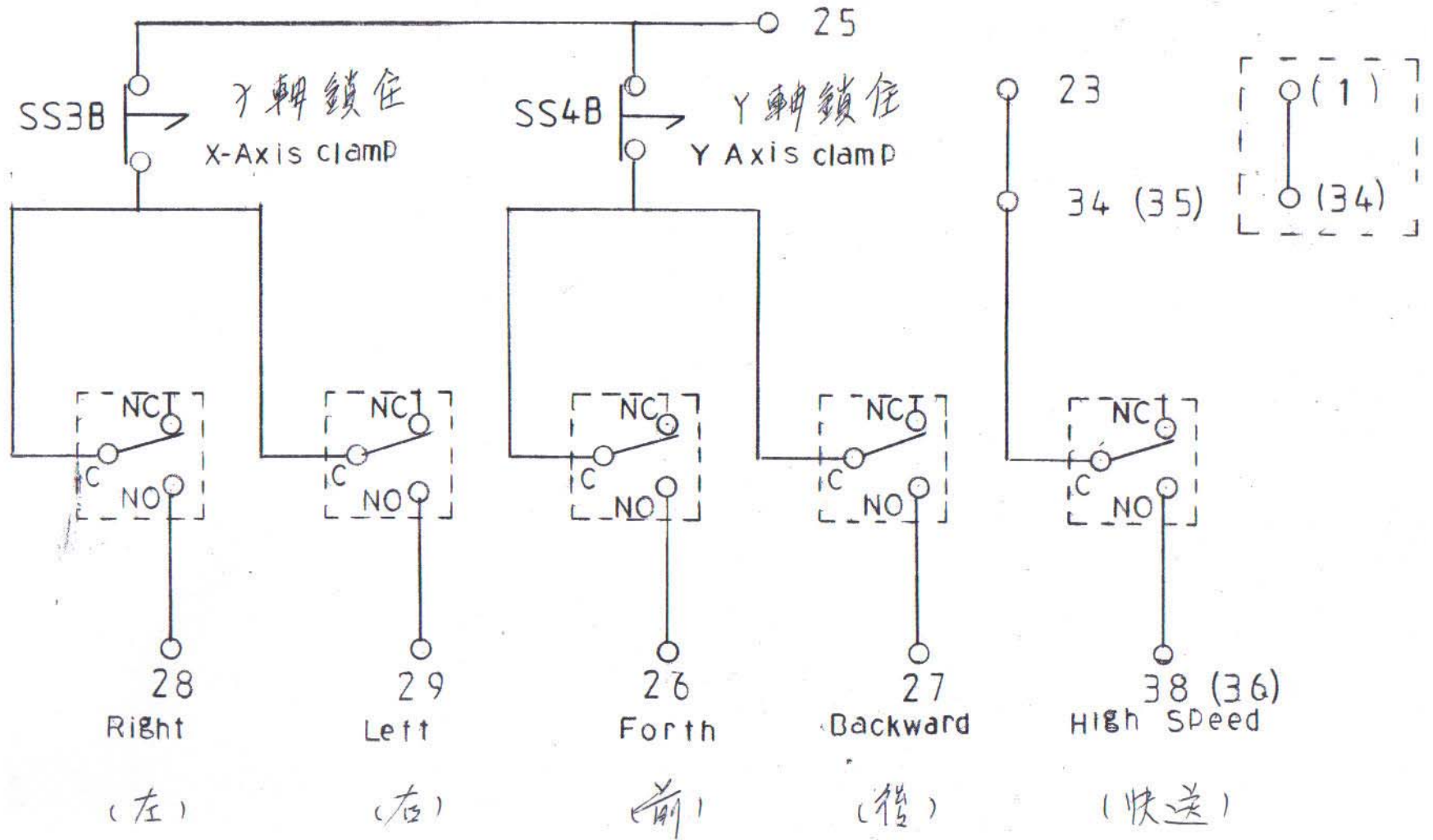


# CS-VBM-5VL X-Y-AXIS ELECTRICAL DIAGRAM-A



CS-VBM-5VL X-Y-AXIS ELECTRICAL DIAGAM-B1

JETRAY CE  
JOYSTICK  
CONTROL

