

# SHARP

## PARTS MANUAL

### SV-8045A

2000-7711-101 A02

Machine Type :

Machine Number :

Approve:

Drawn	Approve	Date	Edition	Note
孟洲	邱文輝	5,Jun.2003	A02	MCV2000 Parts List

**Sharp Industries, Inc.**

SHARP INDUSTRIES, INC.

3501 CHALLENGER STREET

TORRANCE, CALIFORNIA 90503

TEL : (310) 370-5990 FAX : (310) 542-6162

<http://www.sharp-industries.com>

### CONTENTS

#### I. BASIC MACHINE

	PARTS DRAWING	PAGE
<b>1. Y-AXIS</b>		1
Drawing		3
<b>2. X-AXIS</b>		4
Drawing		8
<b>3. Z-AXIS</b>		9
Drawing		13
<b>4. SPINDLE ( #40 10000rpm )</b>		14
Drawing		16
<b>5.SPINDLE (#50)</b>		17
Drawing		21
<b>6. AIR &amp; LUBRICANT CABINET</b>		22
Drawing		24

#### II. ATC

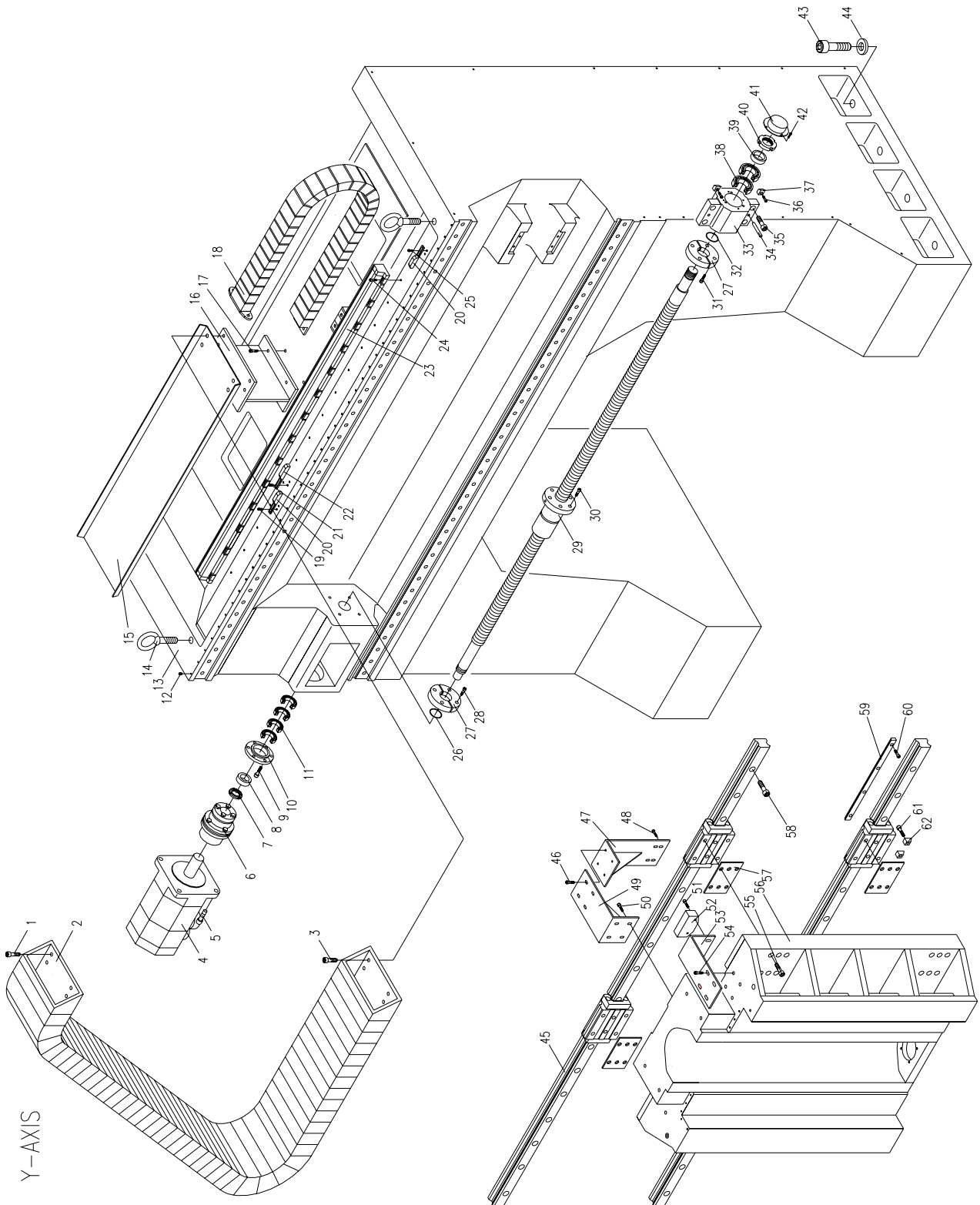
#### III. COOLANT THROUGH SPINDLE

### MODIFICATION RECORD

DATE	PG	ORIGINAL	MODIFIED	ED	REMARK
2005.07.12	15	2000-2293	2000-2367	A02	

1. Y Axis					Note
Parts No.	Pc	Description			
1		4	SCREW	螺絲	M10x20
2	2000-2231	1	FLEXIBLE CONOUIT	方型連動護管	CBO-5-55x200-400x2040L
3		4	SCREW	螺絲	M10x20
4		1	SERVO MOTOR	伺服馬達	
5		4	SCREW	螺絲	M12x35
6	2000-2108	1	Y AXIS COUPLING	連軸器	
7	2000-2142	1	BEARING NUT	軸承螺帽	YSF-30x1.5
8	2000-2106	1	SPACER	間隔環	
9		6	SCREW	螺絲	M8x25
10	2000-2109	1	BEARING HOLDER	軸承壓環	
11		4	BEARING	軸承	30TAC62BDBB
12		39	SOCKET SET SCREW	固定螺絲	M6x20
13	2000-2101	1	COLUMN	立柱	
14		2	HOOK	吊環	M24
15	2000-2223	1	FLEXBLE CONDUIT HOLDER	托板	
16	2000-2222	1	BRACKET	托樑	
17		4	SCREW	螺絲	M8x25
18	2000-2230	1	FLEXIBLE CONNECTER	方型連動護管	RF58.1,100x1100
19		2	SCREW	螺絲	M5x16
20	5MC-1063	2	DOG(OT)	極限感應塊	
21		2	SCREW	螺絲	M5x16
22	5MC-1059	1	DOG(HOME)	原點感應塊	
23		1	H.D.H. SCALE (Y)	光學尺(Y)	LS176-1340
		1	H.D.H. SCALE (Y)	光學尺(Y)	LS186-1340
24		15	SCREW	螺絲	M5x25
25		2	SCREW	螺絲	M5x16
26		1	O RING	O 形環	P38
27	2000-2107	2	BUFFER BLOCK	防撞塊	
28		4	SCREW	螺絲	M6x20
29	2000-2110	1	BALL SCREW(Y)	滾珠導螺桿	
30		5	SCREW	螺絲	M10x20
31		4	SCREW	螺絲	M6x20
32		1	O RING	O 形環	P38

1. Y Axis					Note
Parts No.	Pc	Description			
33	2000-2104	1	Y BEARING HOUSING	Y 軸軸承固定座	
34		2	PIN	銷	10x50L
35		4	SCREW	螺絲	M14x45
36		1	SCREW	螺絲	M6x16
37		2	SPEED CHANGE PLATE	壓板	
38		2	BEARING	軸承	30TAC62BDT
39	2000-2105	1	SPACER	間隔環	
40	2000-2142	1	BEARING NUT	軸承螺帽	YSF-30x1.5
41	2000-1003	1	COVER	軸承板金後蓋	
42		4	SCREW	螺絲	M5x10
43		16	SCREW	螺絲	M24x90
44	1500-C006	16	WASHER	墊圈	M24
45	2000-2144	2	LINEAR RAIL	線性滑軌	MR45-D2-2150-G1-V3
46		4	SCREW	螺絲	M6x12
47	2000-2156	1	READER SUPPORTER	讀頭支架	
48		4	SCREW	螺絲	M5x40
49	2000-2155	1	READER SUPPORTER	讀頭支架	
50		4	SCREW	螺絲	M6x16
51		2	SCREW	螺絲	M6x20
52	EA12-0602-010	1	LIMITED SWITCH	極限開關	SN-2
53	2000-2157	1	LIMIT SWITCH BRACKET	極限開關固定架	
54		4	SCREW	螺絲	M8x16
55		24	SCREW	螺絲	M10x55
56	2000-2102	1	SADDLE	鞍座	
57	2000-2113	4	MEDIUM	滑塊墊板	
58		78	SCREW	螺絲	M12x45
59	2000-1014	6	PRESS CAKE	硬軌壓板	
60		4	SCREW	螺絲	M6x20
61		2	SCREW	螺絲	M8x25
62	2000-1125	4	CARRIAGE JOINT	斜楔	
63					
64					
65					



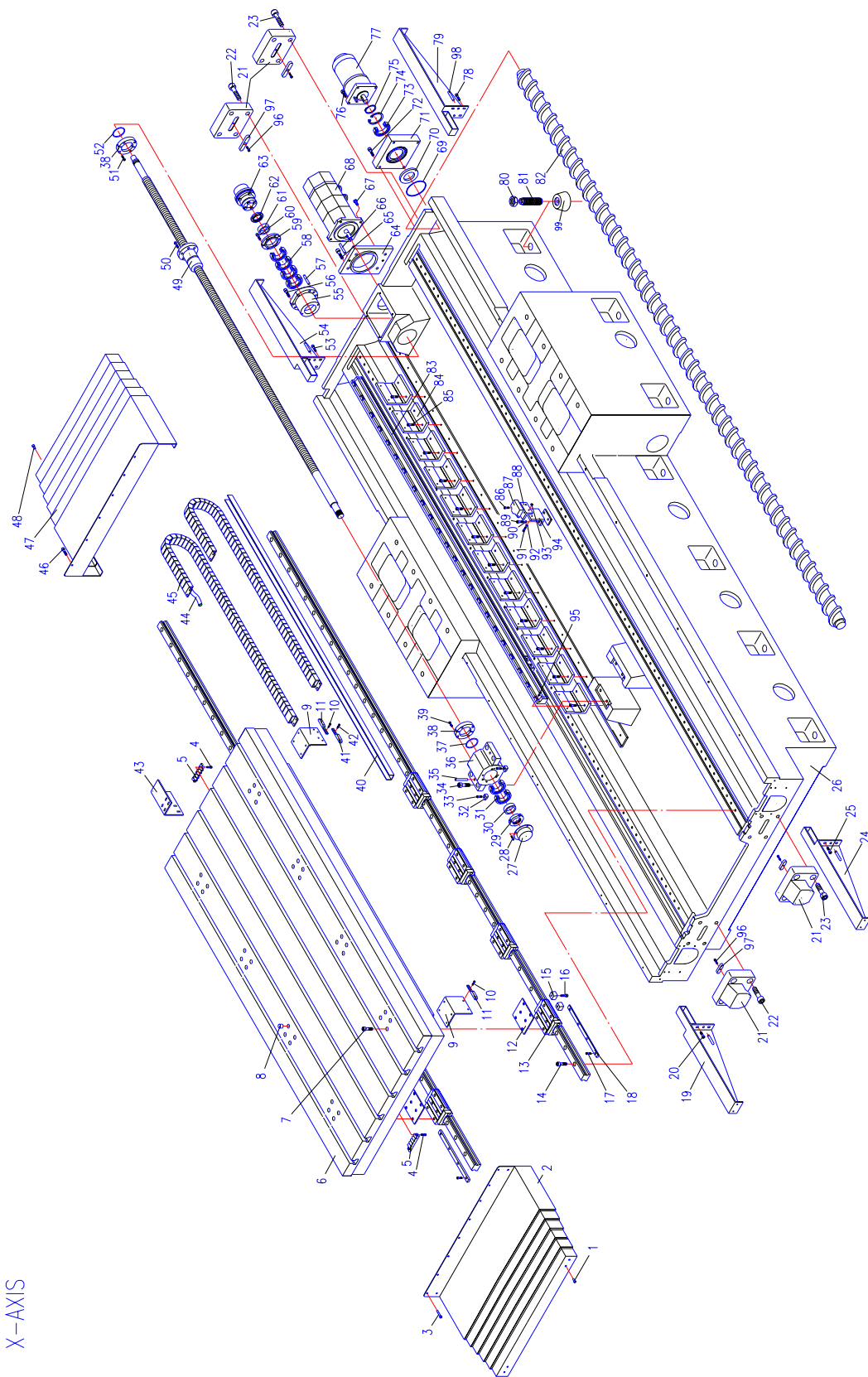
2. X Axis					Note
Parts No.	Pc	Description			
1		4	SCREW BUTTON HEAD	半圓頭螺絲	M6x10
2	2000-1029	1	6 STAGE PROTECTOR	X 左伸縮護蓋	
3		10	SCREW BUTTON HEAD	半圓頭螺絲	M6x10
4		2	SCREW	螺絲	M6x20
5	850-C086	2	Dester plungers(5 moles)	油分配器	
6	2000-1002	1	TABLE	工作台	
7		48	SCREW	螺絲	M12x65
8	2000-1126	32	POSITIONING KEY	螺帽專用蓋	
9	1000-C156	2	DOG (OT) BASE	感應開關座	
10		2	SCREW BUTTON HEAD	半圓頭螺絲	M5x16
11	5MC-1063	2	DOG (OT)	極限感應塊	
12	2000-1013	8	MEDIUM	滑塊墊板	
13	2000-1127	2	LINEAR RAIL	線性滑軌	MR45-B4-3989.5-G1-V3
14		152	SCREW	螺絲	M12x45
15	2000-1125	8	CARRIAGE JOINT	斜楔	
16		8	SCREW	螺絲	M8x25
17		4	SCREW	螺絲	M6x16
18	2000-1014	22	PRESS CAKE	線軌壓條	
19	2000-1027	1	X LEFT COVER LEFT SUPPORTER	左護蓋左支架	
20		4	SCREW	螺絲	M8x20
21	1500-C096	4	HOOK	吊勾	
22		4	SCREW	螺絲	M20x60
23		4	SCREW	螺絲	M20x60
24	2000-1028	1	X LEFT COVER RIGHT SUPPORTER	左護蓋右支架	
25		4	SCREW	螺絲	M8x20
26	2000-1001	1	BED	底座	
27	2000-1003	1	COVER	軸承板金後蓋	
28		4	SCREW	螺絲	M5x16
29	2000-1124	1	BEARING NUT	軸承螺帽	YSF-45x1.5
30	2000-1005	1	SPACER	間隔環	
31		2	BEARING	軸承	45TAC75BDT

2. X Axis					Note
Parts No.	Pc	Description			
32		2	COVER	壓板	
33		1	SCREW	螺絲	M6x16
34		4	SCREW	螺絲	M14x45
35		2	PIN	銷	10x50L
36	2000-1004	1	X BEARING HOUSING	X 軸軸承固定座	
37		1	O RING	O 形環	P60
38	2000-1006	2	BUFFER BLOCK	防撞塊	
39		4	SCREW	螺絲	M6x20
40	2000-2284	1	RAIL SUPPORTER	軌道	
41	5MC-1059	1	DOG (HOME)	原點感應塊	
42		2	SCREW BUTTON HEAD	半圓頭螺絲	M5x16
43	2000-2154	1	X SCALE READER SUPPORTER	讀頭座	
44	2000-1115	1	TUBE	軟管	
45	2000-1397	2	FLEXIBLE CONNECTOR	連動護管	19x13x2.5M
46		10	SCREW BUTTON HEAD	半圓頭螺絲	M6x10
47	2000-1030	1	7 STAGE PROTECTOR	X 右伸縮護蓋	
48		4	SCREW BUTTON HEAD	半圓頭螺絲	M6x10
49	2000-1010	1	X BALL SCREW	X 軸導螺桿	
50		5	SCREW	螺絲	M10x25
51		4	SCREW	螺絲	M6x20
52		1	O RING	O 形環	P60
53		4	SCREW	螺絲	M8x20
54	2000-1026	1	X RIGHT COVER RIGHT SUPPORTER	護蓋右支架	
55	2000-1020	1	BEARING HOUSING	軸承座	
56		6	SCREW	螺絲	M10x40
57		2	PIN	銷	
58		4	BEARING	軸承	45TAC75BDT
59	2000-1008	1	BEARING HOLDER	軸承壓環	
60		6	SCREW	螺絲	M8x25
61	2000-1005	1	SPACER	間隔環	
62	2000-1124	1	BEARING NUT	軸承螺帽	YSF-45x1.5



2. X Axis					Note
Parts No.	Pc	Description			
63	2000-1009	1	X AXIS COUPLING	連軸器	
64	2000-1019	1	MOTOR BRACKET	馬達連接板	
65		4	SCREW	螺絲	M12x35
66		2	PIN	銷	
67		4	SCREW	螺絲	M12x35
68		1	SERVO MOTOR	伺服馬達	
69		2	O RING	O 形環	G110
70	2000-2164	2	OIL SEAL	油封	TC-60x100x10
71	2000-2131	2	SPIRAL MOTOR BRACKET	捲屑馬達托板	
72		8	SCREW	螺絲	M10x30
73		2	BEARING	軸承	6010W
74		2	LOCK RING	扣環	R-80
75		2	LOCK RING	扣環	S-50
76		8	SCREW	螺絲	M10x30
77		2	MOTOR	馬達	GF-1/4HPx4P-60
78		4	SCREW	螺絲	M8x20
79	2000-1025	1	X COVER LEFT SUPPORTER	護蓋左支架	
80	5MC-2912	16	AN07 LOCK NUT	六角螺帽	
81	2000-1021	16	LEVELING ADJ. BOLT	水平調整螺絲	
82	2000-1219	2	CHIP AUGER	螺旋排屑器	
83		1	H.D.H. SCALE (X)	光學尺(X)	LS176-2240
		1	H.D.H. SCALE (X)	光學尺(X)	LS186-2240
84	2000-2153	12	SCREW	光學尺固定架	
85		24	SCREW	螺絲	M8x20
86		2	SCREW	螺絲	M5x20
87	EA12-0602-010	1	LIMIT SWITCH	限動開關	
88	1000-C060	1	X LIMIT SWITCH SUPPORTER	X 軸微動開關固定座	
89		2	SCREW	螺絲	M6x12
90		2	WASHER	華司	M6
91		2	SCREW	螺絲	M6x20
92		4	WASHER	華司	M6
93		2	NUT	螺帽	M6

2. X Axis					Note
Parts No.	Pc	Description			
94	1060-C068	1	DOG HOLDER	感應塊座	
95		24	SCREW	螺絲	M5x25
96		4	SCREW	螺絲	M6x16
97	1500-C116	4	KEY	雙圓頭鍵	
98		8	PIN	斜銷	∅6x30
99	1060-C186	10	LEVELING PAD	水平調整墊塊	
100					
101					
102					
103					
104					
105					
106					
107					
108					
109					
110					
111					
112					
113					
114					
115					
116					
117					
118					
119					
120					
121					
122					
123					
124					
125					
126					



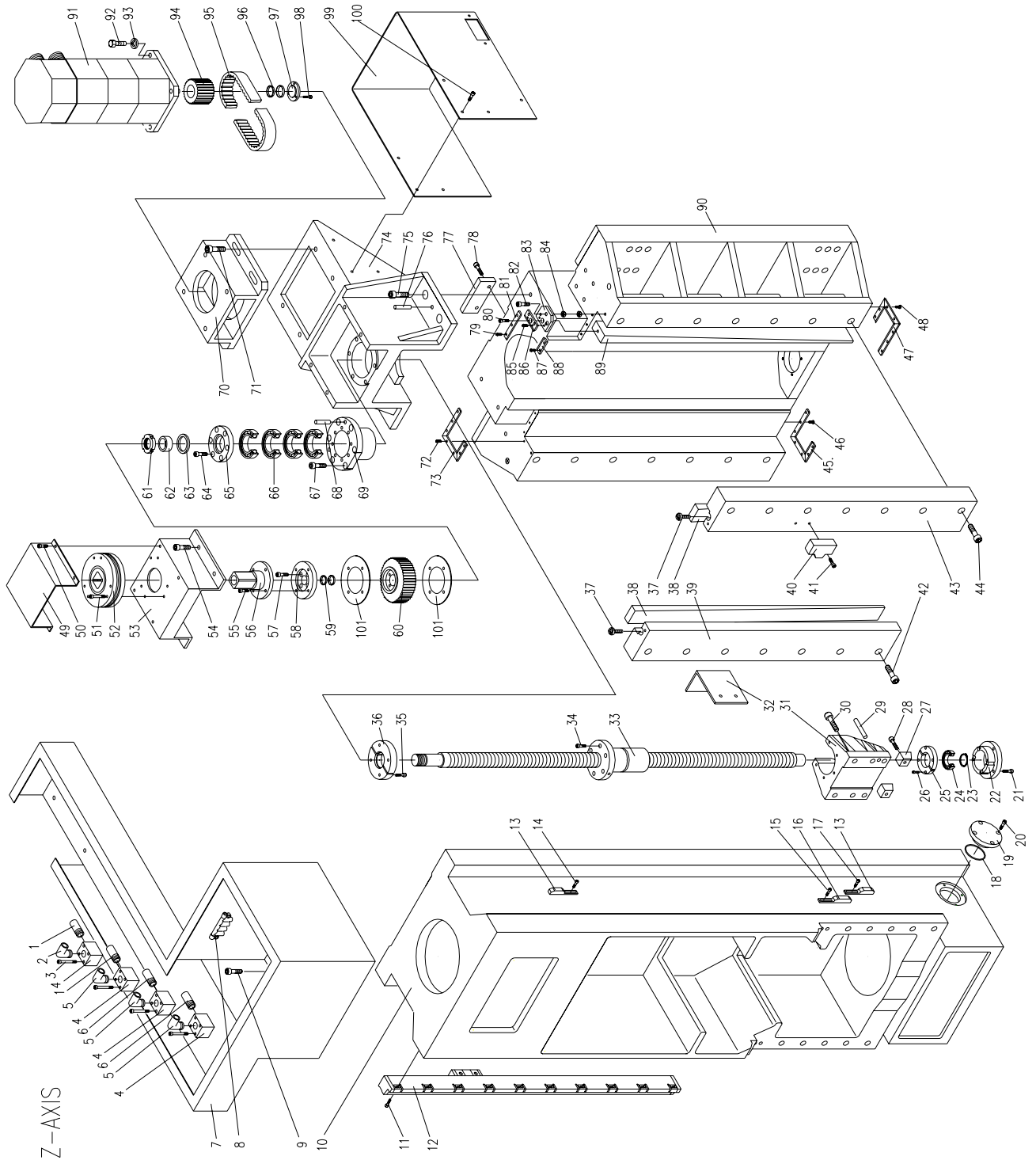
X-AXIS

3. Z Axis					Note
Parts No.	Pc	Description			
1		2	CONNECTOR	直接頭	1/2"PTx3/4"H
2		1	90° CONNECTOR	90° 接頭	1/2"PTx1/2"H
3		2	SCREW	螺絲	M6x50
4	5MC-2989	4	CONNECTOR	中間接頭	
5		3	90° CONNECTOR	90° 接頭	1/2"PTx3/8"H
6		2	CONNECTOR	直接頭	1/2"PTx3/8"H
7	2000-2221	1	BRACKET	頂托架	
8	5MC-2647	1	DESTER PLUNGERS (2 molse)	油分配器	
9		6	SCREW	螺絲	M10x25
10	2000-2301	1	SPINDLE FLANGE	主軸座	
11		10	SCREW	螺絲	M5x25
12		1	H.D.H. SCALE (Z)	光學尺(Z)	LS176-940
		1	H.D.H. SCALE (Z)	光學尺(Z)	LS186-940
13	5MC-1063	2	DOG (OT)	極限感應塊	
14		2	SCREW	螺絲	M5x16
15		2	SCREW	螺絲	M5x16
16	5MC-1059	1	DOG (HOME)	原點感應塊	
17		2	SCREW	螺絲	M5x16
18		1	O RING	O 形環	G55
19	2000-2216	4	FLANGE	壓環	
20		4	SCREW	螺絲	M6x20
21		4	SCREW	螺絲	M6x20
22	2000-2212	1	BEARING HOUSING	軸承固定座	
23		1	LOCK RING	C 形扣環	S-30
24		1	BEARING	軸承	6006 2ZR
25	2000-2211	1	BUFFER BLOCK	防撞塊	
26		4	SCREW	螺絲	M4x16
27	2000-1125	2	CARRIAGE JOINT	斜楔	
28		2	SCREW	螺絲	M6x16
29		2	PIN	銷	10x50L
30		4	SCREW	螺絲	M12x35
31	2000-2260	1	BALL SCREW NUT BRACKET	導桿螺帽座	
32	2000-2159	1	READER SUPPORTER	讀頭座	

3. Z Axis					Note
Parts No.	Pc	Description			
33	2000-2242	1	Z BALL SCREW	Z 軸導螺桿	
34		5	SCREW	螺絲	M10x25
35		4	SCREW	螺絲	M6x20
36	2000-2209	1	BUFFER BLOCK	防撞塊	
37	5MC-1034	4	GIB ADJUSTING SCREW	嵌條調整螺栓	
38	2000-2145	2	GIB	嵌條	
39	2000-2144	1	LINEAR RAIL (LEFT)	線性滑軌(左)	
40	EA12-0602-010	1	LIMITED SWITCH	限動開關	SN-2
41		2	SCREW	螺絲	M6x20
42		7	SCREW	螺絲	M12x60
43	2000-2115	1	Z RAIL PRESSURE PLATE (RIGHT)	Z 軸硬軌壓板(右)	
44		7	SCREW	螺絲	M12x60
45	2000-2122	1	WIPER	刮刷器	
46		7	SCREW BUTTON HEAD	半圓頭螺絲	M5x12
47	2000-2123	1	WIPER	刮刷器	
48		7	SCREW BUTTON HEAD	半圓頭螺絲	M5x12
49	2000-2276	1	BREAKER COVER	煞車器蓋	
50		4	SCREW	螺絲	M6x12
51		6	SCREW	螺絲	M6x50
52	18VH-T449	1	BREAKER	煞車器	
53	2000-2282	1	BREAKER BASE	煞車器座	
54		4	SCREW	螺絲	M10x20
55		4	SCREW	螺絲	M6x20
56	2000-2274	1	CONNECTOR	連接塊	
57		4	SCREW	螺絲	M6x25
58	2000-2273	1	FLANGE	壓環	
59	2000-2227	2	RING	錐形迫緊環	PL 25x30
60	2000-2203	1	TIMING PULLEY	導桿齒帶輪	
61	850-C021	1	LOCK NUT	軸承固定螺帽	YSR-35x1.5
62	2000-2208	1	SPACER	間隔環	
63		1	OIL SEAL	油封	TC-48x62x6
64		6	SCREW	螺絲	M8x16

3. Z Axis					Note
Parts No.	Pc	Description			
65	850-C013	1	Z BEARING HOLDER	Z 軸軸承壓環	
66		4	BEARING	軸承	35TAC72BDBB
67		6	SCREW	螺絲	M10x20
68		2	PIN	銷	10x50
69	2000-2151	1	BEARING HOUSING	軸承座	
70	2000-2132	1	MOTOR HOUSING	馬達固定座	
71		4	SCREW	螺絲	M12x40
72		7	SCREW BUTTON HEAD	半圓頭螺絲	M5x12
73	2000-2118	1	WIPER	刮刷器	
74	2000-2150	1	Z MOTOR HOUSING	Z 軸馬達固定座	
75		4	SCREW	螺絲	M12x40
76		2	PIN	銷	10x50L
77	2000-2124	1	ADJUSTING BLOCK	馬達座調整塊	
78		2	SCREW	螺絲	M8x12
79		2	SCREW BUTTON HEAD	半圓頭螺絲	M5x12
80		1	SCREW	螺絲	M6x20
81	2000-2120	1	WIPER	刮刷器	
82		1	SCREW	螺絲	M8x60
83	2000-2117	1	FIXED PLATE	嵌條調整固定板	
84		2	NUT	螺帽	M8
85		2	SCREW BUTTON HEAD	半圓頭螺絲	M5x12
86	2000-2121	1	WIPER	刮刷器	
87		2	SCREW BUTTON HEAD	半圓頭螺絲	M5x12
88	2000-2119	1	WIPER	刮刷器	
89	2000-2181	1	Z AXIS GIB	鞍座嵌條	
90	2000-2102	1	SADDLE	鞍座	
91		1	SERVO MOTOR	伺服馬達	
92		4	SCREW	螺絲	M12x35
93		4	WASHER	墊圈	M12
94	2000-2135	1	MOTOR TIMING PULLEY(Z)	Z 軸馬達齒帶輪	
95		1	TIME IN BELT	齒形皮帶	840-8M-40
96		2	RING HOLDER	迫緊環	TLK300 35x40x7
97	850-C005	1	HOLDER	固定環	

3. Z Axis					Note
Parts No.	Pc	Description			
98		4	SCREW	螺絲	M6x25
99	2000-2229	1	FLEXIBLE CONNECTOR BASE	連動護管固定座	
100		6	SCREW	螺絲	M6x16
101	2000-2294	2		法蘭	
102					
103					
104					
105					
106					
107					
108					
109					
110					
111					
112					
113					
114					
115					
116					
117					
118					
119					
120					
121					
122					
123					
124					
125					
126					
127					
128					
129					

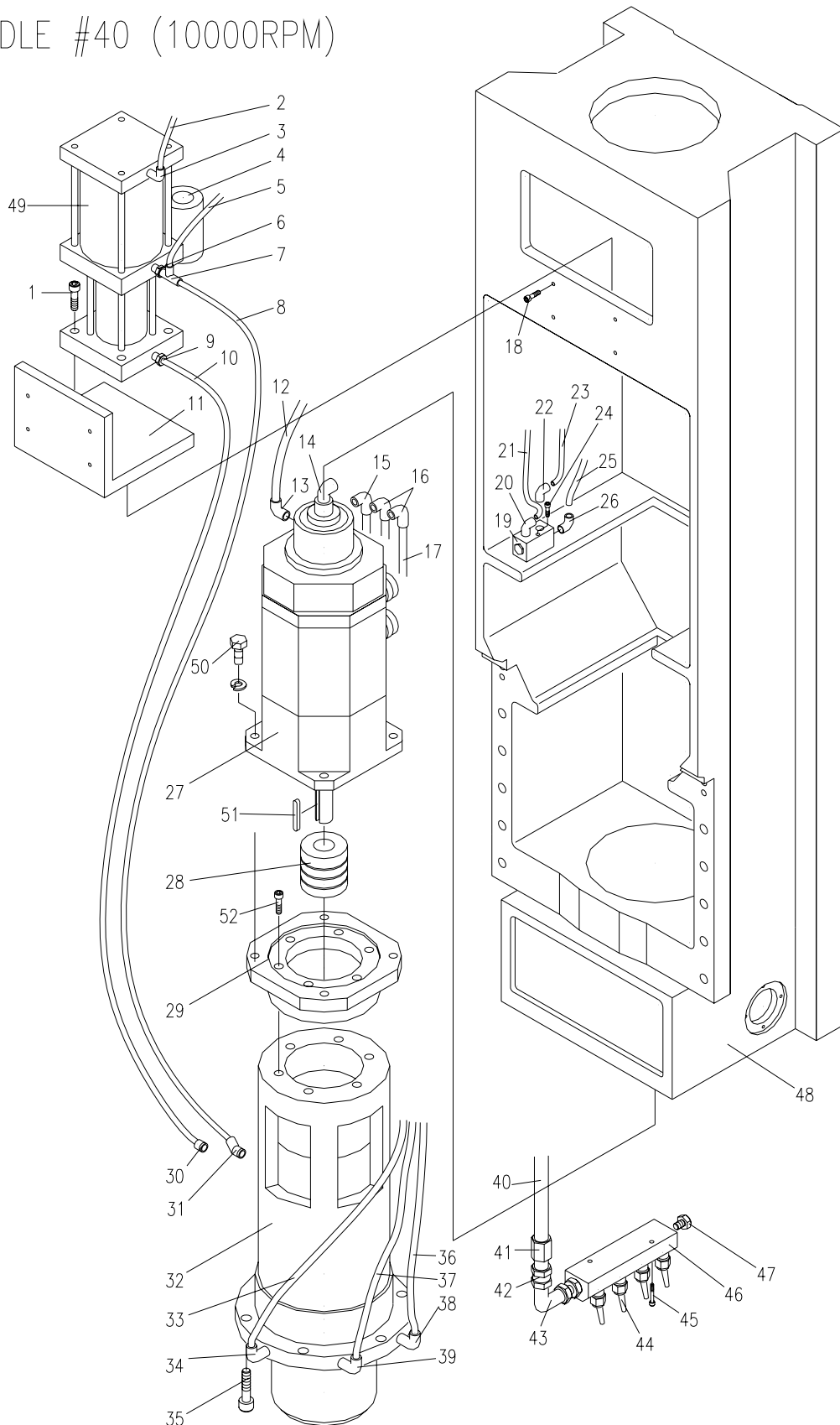




4. Spindle 40# ( 10000rpm )					Note
Parts No.	Pc	Description			
1		4	SCREW	螺絲	M10x40
2		1	PU PIPE	PU 管	φ 10x φ 6.5x350L
3	5MC-3284	1	ONE TOUCH	快速彎頭	
4		1	OIL CUP	油杯	
5		1	PU PIPE	PU 管	φ 8x φ 5x500L
6		1	CONNECTOR	卜申	3/8x1/4
7	5MC-3291	1	ONE TOUCH	快速接頭	
8		1	PU PIPE	PU 管	φ 8x φ 5x1200L
9		1	CONNECTOR	中接頭	1/2PTx3/8H
10		1	AIR PIPE	中壓管	3/8x1200L
11		1	AIR CYLINDER BASE	氣缸固定座	
12		1	PU PIPE	PU 管	φ 8x φ 5x9500L
13	5MC-3324	1	ONE TOUCH	快速彎頭	
14		1	CONNECTOR	接頭	3/8x1/4
15	5MC-3262	1	ONE TOUCH	快速彎頭	
16	5MC-3324	2	ONE TOUCH	快速彎頭	
17		3	PU PIPE	PU 管	φ 8x φ 5x1100L
18		4	SCREW	螺絲	M6x25
19	1200-H162	1	VALVE	梭動閥	
20	5MC-3262	1	ONE TOUCH	快速彎頭	
21		1	PU PIPE	PU 管	φ 8x φ 5x9500L
22		1	90° CONNECTOR	90° 接頭	1/4PTx1/4H
23	1500-C206	1	AIR PIPE	中壓管	
24		2	SCREW	螺絲	M5x55
25		1	AIR PIPE	中壓管	3/8"x1400L
26		1	90° CONNECTOR	90° 接頭	1/4PTx3/8H
27		1	SPINDLE MOTOR	主軸伺服馬達	
28		1	SPINDLE MOTOR CONNECTOR	連軸器	
29		1	CONNECT PLATE	連接板	
30	5MC-3261	1	ONE TOUCH	快速接頭	
31		1	135° CONNECTOR	135° 接頭	1/4PTx3/8H
32		1	SPINDLE	主軸	
33		1	AIR PIPE	中壓管	3/8x2300L

4. Spindle 40# ( 10000rpm )					Note
Parts No.	Pc	Description			
34		1	90° CONNECTOR	90° 接頭	1/4PTx3/8H
35		6	SCREW	螺絲	M14x45
36		1	AIR PIPE	中壓管	3/8x2400L
37		1	PU PIPE	PU 管	φ 8x φ 5x1050L
38		1	90° CONNECTOR	90° 接頭	1/4PTx3/8H
39	5MC-3262	1	ONE TOUCH	快速彎頭	
40		1	AIR PIPE	中壓管	1/2x2100L
41		1	CONNECTOR	中接頭	1/2PTx1/2H
42		1	CONNECTOR	雙內牙接頭	1/2PTx1/2PT
43		1	90° CONNECTOR	90° 外牙接頭	1/2PTx1/2PT
44	1000-H004	4	SPRINKLE-NOZZLE	萬向冷卻噴頭	
45		2	SCREW	螺絲	M5x45
46	1000-C364	1	DISTRIBUTOR	大流量四通	
47		1	STOPPER	孔塞	1/2PT
48	2000-2301	1	SPINDLE FLANGE	主軸座	
49	2000-2367	1	AIR CYLINDER	氣壓缸	(全配備)
50		4	SCREW	內六角螺絲	M12x30
51		1	PIN	馬達固定銷	
52		6		螺絲	M12x65
53					
54					
55					
56					
57					
58					
59					
60					
61					
62					
63					
64					
65					
66					

### SPINDLE #40 (10000RPM)

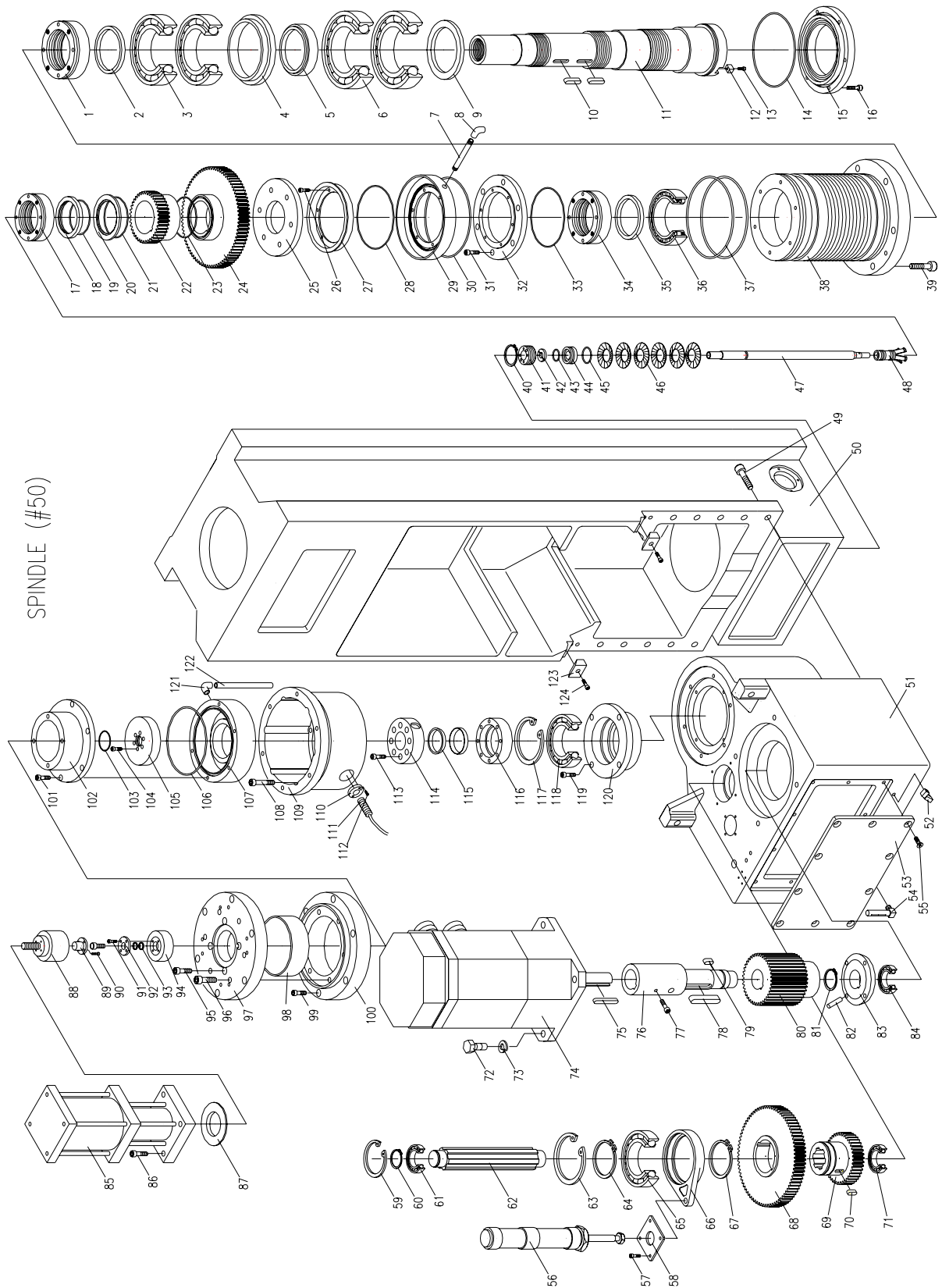


5. Spindle (#50)					Note
Parts No.	Pc	Description			
1	1500-H009	1	BEARING NUT	軸承螺帽	
2	1500-H008	1	DISTANCE COLLAR	軸承螺帽隔圈	
3	1000BNC10P4	2	BEARING	軸承	6000RPM 用
	7020DB	2	BEARING	軸承	4000RPM 用
4	1500-H095	1	BEARING OUTER SPACER	軸承外隔圈	6000RPM 用
	1500-H007	1	BEARING OUTER SPACER	軸承外隔圈	4000RPM 用
5	1500-H094	1	BEARING INNER SPACER	軸承內隔圈	6000RPM 用
	1500-H006	1	BEARING INNER SPACER	軸承內隔圈	4000RPM 用
6	110BNC10P4	2	BEARING	軸承	6000RPM 用
	NN3022	1	BEARING	軸承	4000RPM 用
7		1	OIL LEAD PIPE	漏油管(雙外牙接頭)	1/4PTx90L
8		1	90° CONNECTOR	90° 銅接頭	1/4PT 雙內牙
9	1500-H005	1	SPACER	主軸防塵片	
10		2	KEY	鍵	10x8x45
11	1500-H003	1	SPINDLE	主軸 BT50	
12	1200-H126	2	POSITIONING KEY	刀柄止動鍵	BT 用
	1500-H072	2	POSITIONING KEY	刀柄止動鍵	DIN 及 CAT 用
13		2	SCREW	螺絲	M12x16
14		1	O RING	O 形環	G170
15	1500-H004	1	BEARING HOLDER	下軸承固定環	
16		6	SCREW	螺絲	M8x25
17	1500-H011	1	BEARING NUT	軸承螺帽	
18	1500-H012	1	DISTANCE COLLAR	軸承螺帽隔圈	
19		1	O RING	O 形環	G80
20	1500-H076	1	SPACER	隔圈	
21		1	O RING	O 形環	G95
22	1500-H042	1	SPINDLE GEAR	主軸齒輪	
23		1	O RING	O 形環	G95
24	1500-H111	1	GEAR	變速大齒輪	
25	1500-H114	1	CIRCUMROTATION PLATE	回轉座	
26		6	SCREW	螺絲	M6x20
27	1500-H113	1	ANTI LABYRINTH ISOLATOR	反迷宮座	
28		1	O RING	O 形環	G150

5. Spindle (#50)					Note
Parts No.	Pc	Description			
29	1500-H112	1	LABYRINTH ISOLATOR	迷宮座	
30		1	O RING	O 形環	G195
31		6	SCREW	螺絲	M8x16
32	1500-H014	1	BEARING HOLDER	軸承壓環	
33		1	O RING	O 形環	G145
34	1500-H011	1	BEARING NUT	軸承螺帽	
35	1500-H010	1	DISTANCE COLLAR	軸承螺帽隔圈	
36		1	BEARING	軸承	NN3018
37		2	O RING	O 形環	G200
38	1500-H002	1	SPINDLE FLANGE	主軸軸承套	
39		6	SCREW	螺絲	M14x35
40		1	LOCK RING	扣環	R55
41	1500-H024	1	DISK SPRING HOLDER	迫緊螺絲	
42	1500-H023	1	STOP RING	半圓墊圈	
43		1	O RING	O 形環	P20
44	1500-H022	1	WASHER	墊圈	
45		1	O RING	O 形環	P39
46		89	DISK SPRING	碟形彈簧壓環	∅ 25x ∅ 50x3t-89
47	1500-H098	1	CONNECTING LINK	連接軸	
48		1	GIB HOLDER	拉爪	
49		12	SCREW	螺絲	M14x45
50	2000-2301	1	SPINDLE FLANGE	主軸座	
51	2000-2302	1	GEAR BOX	齒輪箱	
52		2	CONNECTOR	直角接頭	PH401
53	2000-2304	1	HOUSING PLATE	齒輪箱蓋板	
54		1	OIL GAUGE	油面計	1/4"PTx3"L
55		10	SCREW (FLAT HEAD)	平頭螺絲	M10x16
56	1500-H046	1	CYLINDER	倍力氣壓缸	
57		4	SCREW	螺絲	M6x12
58	1500-H047	1	CYLINDER FLANGE	氣壓缸法蘭	
59		1	LOCK RING	扣環	R90
60		1	LOCK RING	扣環	S40
61		1	BEARING	軸承	6308ZZ

5. Spindle (#50)					Note
Parts No.	Pc	Description			
62	1500-H048	1	SPEED CHANGE GEAR SHAFT	變速齒輪軸	
63		1	LOCK RING	扣環	R125
64		1	LOCK RING	扣環	S80
65		1	BEARING	軸承	6016
66	1200-H136	1	GEAR CHANGE DEVICE	齒輪撥桿	
67		1	LOCK RING	扣環	S80
68	1500-H040	1	SPEED CHANGE GEAR	變速大齒輪	
69	1500-H039	1	SPEED CHANGE GEAR	變速齒輪	
70		1	KEY	鍵	10x8x25
71		1	BEARING	軸承	6008ZZ
72		4	SCREW	螺絲	M14x35
73		4	WASHER	墊圈	φ 14
74		1	SERVO MOTOR	伺服馬達	
75		1	KEY	鍵	14x10x85
76	1500-H044	1	GEAR CENTER BAR	心軸	
77		2	SCREW	螺絲	M8x16
78		1	KEY	鍵	14x9x85
79		1	KEY	鍵	10x8x25
80	1500-H045	1	SPINDLE GEAR	主軸齒輪	
81		1	LOCK RING	扣環	S45
82		2	KEY	鍵	10x8x25
83	1500-H043	1	OIL SPLASH RING	撥油環	
84		1	BEARING	軸承	6208Z
85	1200-H157	1	CYLINDER	退刀氣缸	
86		4	SCREW	螺絲	M10x40
87	1500-H063	1	BUSAING	套圈	
88	1200-H026	1	PLATE HOLDER DOWN	逼迫座	
89	1060-H008	1	C.T.S. CONNECTOR	高壓出水接頭	
90		4	SCREW	螺絲	M4x10
91		4	SCREW	螺絲	M5x16
92	1200-H025	1	FLANGE	壓環	
93		2	RING HOLDER	迫緊環	TLK300- φ 17x φ 21x6.3
94	1500-H099	1	SLIDING HOLDER	固定塊	

5. Spindle (#50)					Note
Parts No.	Pc	Description			
95		4	SCREW	螺絲	M10x40
96		2	SCREW	螺絲	M12x55
97	1500-H062	1	BRACKET FIXED HOLDER	氣壓缸固定塊	
98		1	BEARING	乾式軸承	B-MB14050
99		6	SCREW	螺絲	M10x40
100	1500-H061	1	SLIDING HOLDER	固定塊	
101		6	SCREW	螺絲	M8x20
102	1500-H060	1	SLIDING HOLDER	固定塊	
103		1	O RING	O 形環	G25
104		6	SCREW	螺絲	M8x30
105	1500-H058	1	HOLDER	支撐塊	
106		1	O RING	O 形環	G160
107	1500-H059	1	FLANGE	壓迫環	
108		6	SCREW	螺絲	M10x30
109	2000-2303	1	CLAMPER & SENSOR BASE	退刀氣缸座	
110	5MC-6518	1	SENSOR BASE	檢出器固定板	
111		1	SENSOR	感應器	
112		2	SCREW	自攻螺絲	M4x10
113		8	SCREW	螺絲	M8x40
114	1500-H018	1	PULLY CLAMPER & AENAOR HOLDER	回轉體	
115		2	RING HOLDER	迫緊環	TLK300- $\phi$ 71x $\phi$ 80
116	1500-H017	1	HOLDER	迫緊座	
117		1	LOCK RING	扣環	R115
118		1	BEARING	軸承	6015ZZ
119		4	SCREW	螺絲	M8x25
120	1500-H016	1	BEARING HOUSING	軸承座	
121	5MC-3324	1	ONE TOUCH	快速彎頭	
122		1	PU PIPE	PU 管	$\phi$ 8x $\phi$ 5x700L
123	2000-1125	2	CARRIAGE JOINT	斜楔	
124		2	SCREW	螺絲	M6x12
125					
126					





6. Air and Lubricant Cabinet					Note
Parts No.	Pc	Description			
1		4	SCREW	螺絲	M4x30
2		8	WASHER	華司	M4
3	EA12-1001-010	2	LIMIT SWITCH	限制開關	ZC-Q55
4		4	NUT	螺帽	M4
5		1	PU PIPE	PU 管	φ 10x φ 6.5x250L
6	5MC-3284	1	ONE TOUCH	快速彎頭	
7		1	OIL CUP	油杯	
8	5MC-3291	1	ONE TOUCH	快速接頭	
9		1	PU PIPE	PU 管	φ 8x φ 5x450L
10		1	PU PIPE	PU 管	φ 8x φ 5x145L
11		1	90° CONNECTOR	90° 接頭	1/8PTx1/4H
12	5MC-3262	1	ONE TOUCH	快速彎頭	
13	5MC-3321	1	SINGLE SOLENOID	電磁閥	
14	5MC-3323	1	ONE TOUCH	快速彎頭	
15	5MC-3320	2	SINGLE SOLENOID	電磁閥	
16	5MC-3283	5	ONE TOUCH	快速彎頭	
17		6	SCREW	螺絲	M4x40
18		1	PU PIPE	PU 管	φ 10x φ 6.5x8800L
19	5MC-3311	1	ONE TOUCH	快速接頭	
20		2	AIR NOISE ELIMINATOR	消音器	5541-3208-100
21	1500-C376	1	AIR DISTRIBUTOR	組合座	
22		3	STOPPER	孔塞	3/8"PT
23	1200-H162	1	VALVE	梭動閥	
24	5MC-3262	1	ONE TOUCH	快速彎頭	
25		1	PU PIPE	PU 管	φ 8x φ 5x9500L
26		1	90° CONNECTOR	90° 接頭	1/4PTx1/4H
27	1500-C206	1	AIR PIPE	中壓管	
28		2	SCREW	螺絲	M5x55
29		1	AIR PIPE	中壓管	3/8"x1200L
30		1	90° CONNECTOR	90° 接頭	1/4PTx3/8H
31	1500-H087	1	CONNECTOR	內外牙接頭	
32	1500-H080	2	ANTI-BACK VALVE	空壓誘導止回閥	
33	1500-H081	1	ONE TOUCH	快速彎頭	

6. Air and Lubricant Cabinet					Note
Parts No.	Pc	Description			
34		1	PU PIPE	PU 管	∅ 8x ∅ 5x650L
35		2	PU PIPE	PU 管	∅ 8x ∅ 5x65L
36	1500-H082	2	PIPE	尼龍接頭	
37		1	PU PIPE	PU 管	∅ 8x ∅ 5x650L
38	1500-H085	2	SPEED-ADJUST CONNECTOR	調速接頭	
39		2	PU PIPE	PU 管	∅ 8x ∅ 5x75L
40		1	PU PIPE	PU 管	∅ 8x ∅ 5x800L
41		1	PU PIPE	PU 管	∅ 8x ∅ 5x850L
42	1500-H086	2	SPEED-ADJUST CONNECTOR	調速接頭	
43		2	OIL PIPE	鋁管	∅ 4x360L
44		1	CONNECTOR	直角接頭	PH401
45		1	3 WAY CONNECTOR	三通接頭	PKD-6
46		1	CONNECTOR	接頭	PD401
47		1	CONNECTOR	接頭	PQ10
48	850-C206	1	TIMER LUBRICATOR	間歇潤滑器	
49		4	SCREW	螺絲	M5x16
50		2	CONNECTOR	接頭	PD401
51		1	AIR PIPE	中壓管	1/2"x2000L
52		1	90° CONNECTOR	90° 接頭	1/2PTx1/2H
53		1	3 WAY CONNECTOR	內牙三通接頭	1/2PT
54		1	CONNECTOR	中接頭	1/2PTx1/2PT
55		1	CONNECTOR	鋼管接頭	1/2PTx ∅ 15
56		1	STEEL PIPE	鋼管	∅ 15x210L
57		1	STEEL PIPE CONNECTOR	鋼管接頭	1/2PTx ∅ 15
58		1	90° CONNECTOR	90° 雙內牙接頭	1/2PTx1/2PT
59		1	CONNECTOR	中接頭	1/2PTx1/2PT
60	1000-H004	8	SPRINKLE-NOZZLE	萬向冷卻噴頭	
61		4	SCREW	螺絲	M5x45
62	1000-C364	2	DISTRIBUTOR	大流量四通	
63		2	STOPPER	孔塞	1/2PT
64					
65					
66					

### AIR & LUBRICANT CABINET

